



RJ45 AND USB 2.0 Contacts, Tools, and Accessories



667-262 Receptacle Metal Protective Covers for Mighty Mouse Series 805

Series 80 Mighty Mouse



**Receptacle
Cover**

Protect Connectors From Damage
Machined aluminum or stainless steel protective covers have fluorosilicone gasket for a watertight fit.

Stainless Steel Fittings and Rings
Choose small diameter eye fittings for panel attachment. Larger rings fit under the jam nut or over cable jackets. Split rings can be installed on fully assembled cables.

Polyurethane-Coated SST Wire Rope
provide resistance and good flexibility. Or, choose a Fluoropolymer jacket for high temperature exposure.

Braided Nylon Rope provides excellent flexibility and good abrasion resistance, and can be ordered with slip knot fittings for easy installation on any size cable.

How To Order		667-262	-M	-G	10	04	-6
Sample Part Number							
Series (See Table I)	667-262 = Receptacle Cover (see note 1)						
Shell Material / Finish	M = Aluminum/Electroless Nickel RoHS Compliant NF = Aluminum/Cadmium with Olive Drab Chromate ZNU = Aluminum/Zinc-Nickel with Black Chromate MT = Aluminum/Nickel-PTFE RoHS Compliant Z1 = Stainless Steel/Passivated RoHS Compliant						
Attachment Type	D = Bead Chain, CRES, Passivate F = Wire Rope, Nylon Jacket G = Nylon Rope H = SST Wire Rope, Fluoropolymer Jacket N = No Attachment R = Wire Rope, PVC Jacket S = SST Sash Chain SK = Nylon Rope With Slip Knot T = SST Wire Rope, No Jacket U = SST Wire Rope, Polyurethane Jacket "SST" = Stainless Steel						
Shell Size	10, 18, 19, 21						
Attachment Code (See Table II)	Small Ring = 01 thru 06 Large Ring = 18 thru 30						
Attachment Length (inches)	Omit for attachment Type N (No Attachment) Example "-6" equals six inch length						

Table I: Cover Style

667-262 Receptacle Cover

NOTES

- For plug covers contact factory
- Material and Finish
 - Gasket: Fluorosilicone rubber
 - Wire, Hardware: Stainless steel, passivated

M



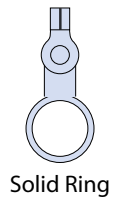
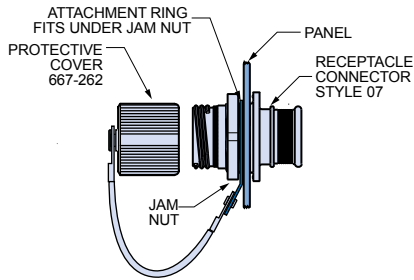
RJ45 AND USB 2.0 Contacts, Tools, and Accessories



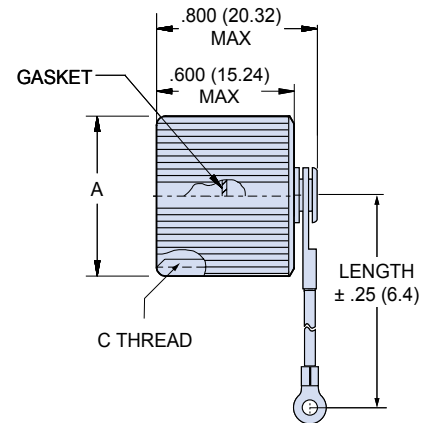
667-262 Receptacle Metal Protective Covers for Mighty Mouse Series 805

Series 80 Mighty Mouse

667-262 Cover Attachment to RPM Jam Nut Receptacle



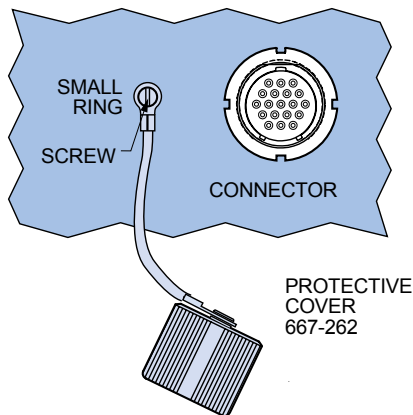
Attchmt Code	Shell Size	Ring I.D.		Ring O.D.	
		In.	mm.	In.	mm.
		±.010	±0.25	±.015	± 0.38
18	10	.695	17.65	.82	20.83
22	18	1.210	30.73	1.31	33.27
23	19	1.275	32.39	1.37	34.80
30	21	1.380	35.05	1.48	37.59



Dimensions

Shell Size	A		B Thread	C Thread
	In.	mm.		
10	.778	19.76	.6250-.1P-.3L-TS-2A	.6250-.1P-.3L-TS-2B
18	1.278	32.46	1.1250-.1P-.3L-TS-2A	1.1250-.1P-.3L-TS-2B
19	1.340	34.04	1.1870-.1P-.3L-TS-2A	1.1870-.1P-.3L-TS-2B
21	1.490	37.85	1.3125-.1P-.3L-TS-2A	1.3125-.1P-.3L-TS-2B

667-262 Cover Attachment to Panel



Attchmt Code	Screw Size	Ring I.D.		Ring O.D.	
		In.	mm.	In.	mm.
		±.005	±0.13	Max.	Max.
01	#4, M3	.126	3.20	.31	7.9
02	#6	.145	3.68	.31	7.9
04	#8, M4	.188	4.78	.31	7.9
06	#10	.197	5.00	.31	7.9

Lanyard Options

	-65° to +100°C., black, very flexible, very good abrasion resistance, good resistance to fuels, .120" (3mm) diameter
	Black polyurethane over stainless steel rope, -65° to +125°C., very flexible, excellent abrasion resistance, excellent resistance to fuels, .080" (2mm) diameter
	Translucent FEP jacket over stainless steel, -65° to +200°C., fair flexibility, good abrasion resistance, .100" diameter
	Stainless steel, #8 chain, .240" (6mm)
	65° to +100°C., black, very flexible, very good abrasion resistance, good resistance to fuels, .120" (3mm) diameter. Length includes .5" (13mm) diameter loop.

M