



RJ45 AND USB 2.0

Contacts, Tools, and Accessories



667-218 Receptacle Metal Protective Covers for Mighty Mouse Series 801 Connectors

Series 80 Mighty Mouse

Protect Connectors From Damage Machined aluminum covers have rubber gaskets for a watertight fit.

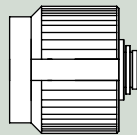
Stainless Steel Fittings and Rings Choose small diameter eye fittings for panel attachment. Larger rings fit under the jam nut or over cable jackets.

Polyurethane-Coated SST Wire Rope offers high strength, excellent abrasion resistance and good flexibility. Or, select a fluoropolymer jacket for high temperature exposure.

Braided Nylon Rope provides excellent flexibility and good abrasion resistance, and can be ordered with slip knot fittings for easy installation on any size cable.

How To Order						
Sample Part Number	667-218	-M	-G	9	04	-6
Series (See Table I)	667-218 = Receptacle Cover (see note 1)					
Material and Finish	M = Aluminum/Electroless Nickel RoHS Compliant MT = Aluminum/Nickel-PTFE RoHS Compliant NF = Aluminum/Cadmium with Olive Drab Chromate ZNU = Aluminum/Zinc-Nickel with Black Chromate Z1 = Stainless Steel/Passivated RoHS Compliant					
Attachment Type	D = Bead Chain, CRES, Passivate G = Nylon Rope N = No Attachment S = SST Sash Chain T = SST Wire Rope, No Jacket "SST" = Stainless Steel F = Wire Rope, Nylon Jacket H = SST Wire Rope, Fluoropolymer Jacket R = Wire Rope, PVC Jacket SK = Nylon Rope With Slip Knot U = SST Wire Rope, Polyurethane Jacket					
Shell Size	8, 16, 17, 19					
Attachment Code (See Table II)	Small Ring (Attached to Panel) = 01 thru 06 Solid Ring (Rear Panel Mount Jam Nut Application) = 14 thru 33					
Attachment Length (inches)	Omit for attachment Type N (No Attachment) Example "-6" equals six inch length					

Table I: Cover Style



667-218
Receptacle Cover

NOTES

- For plug covers contact factory
- Material and Finish
 - Cover: Aluminum alloy or stainless steel
 - Gasket: Fluorosilicone rubber
 - Wire, Hardware: Stainless steel, passivated

M

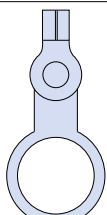
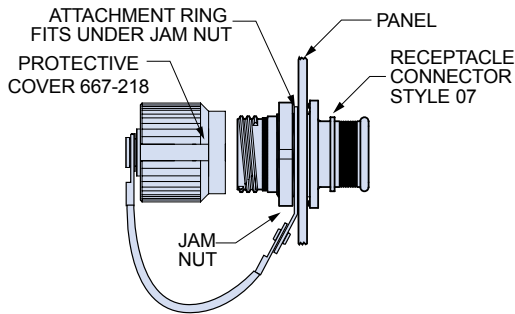


RJ45 AND USB 2.0 Contacts, Tools, and Accessories



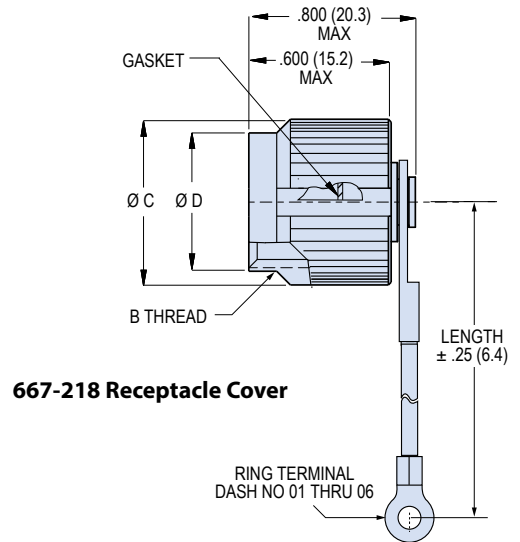
667-218 Receptacle Metal Protective Covers for Mighty Mouse Series 801 Connectors

667-218 Cover Attachment for RPM Jam Nut Receptacle



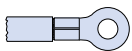
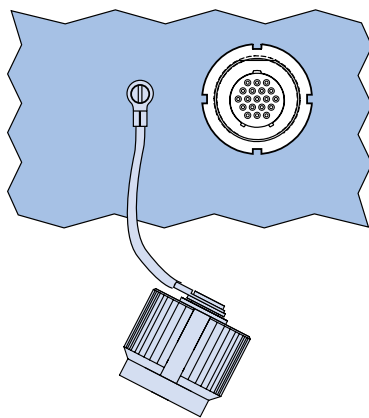
Solid Ring

Atthcmt Code	Shell Size	Ring I.D.		Ring O.D.	
		In. ± .010	mm. ±0.25	In. ± .015	mm. ± 0.38
16	8	.570	14.48	.69	17.40
20	16	1.070	27.17	1.20	30.35



667-218 Receptacle Cover

667-218 Cover Attachment to a Panel with a Screw



Small Ring for Attaching Receptacle Covers to a Panel with a Screw

Atthcmt Code	Screw Size	Ring I.D.		Ring O.D.	
		In. ±.005	mm. ±0.13	In. Max.	mm. Max.
01	#4, M3	.126	3.20	.31	7.9
02	#6	.145	3.68	.31	7.9
04	#8, M4	.188	4.78	.31	7.9
06	#10	.197	5.00	.31	7.9

Dimensions							
Shell Size	Ø A Max.		Ø B Max.		Ø D Max.		C Thread
	In.	mm.	In.	mm.	In.	mm.	
8	.653	16.6	.675	17.15	.587	14.9	.5000-.05-.1L
16	1.150	29.2	1.261	32.03	1.092	27.7	1.000-.1P-.2L

Lanyard Options

	Nylon Rope	-65° to +100°C., black, very flexible, very good abrasion resistance, good resistance to fuels, .120" (3mm) diameter
	Polyurethane Coated Wire Rope	Black polyurethane over stainless steel rope, -65° to +125°C., very flexible, excellent abrasion resistance, excellent resistance to fuels, .080" (2mm) diameter
	Fluoropolymer Jacketed Wire Rope	Translucent FEP jacket over stainless steel, -65° to +200°C., fair flexibility, good abrasion resistance, .100" diameter
	Sash Chain	Stainless steel, #8 chain, .240" (6mm)
	Slip Knot (SK) for Attaching Covers to Cable	65° to +100°C., black, very flexible, very good abrasion resistance, good resistance to fuels, .120" (3mm) diameter. Length includes .5" (13mm) diameter loop.