



RJ45 AND USB 2.0 Contacts, Tools, and Accessories

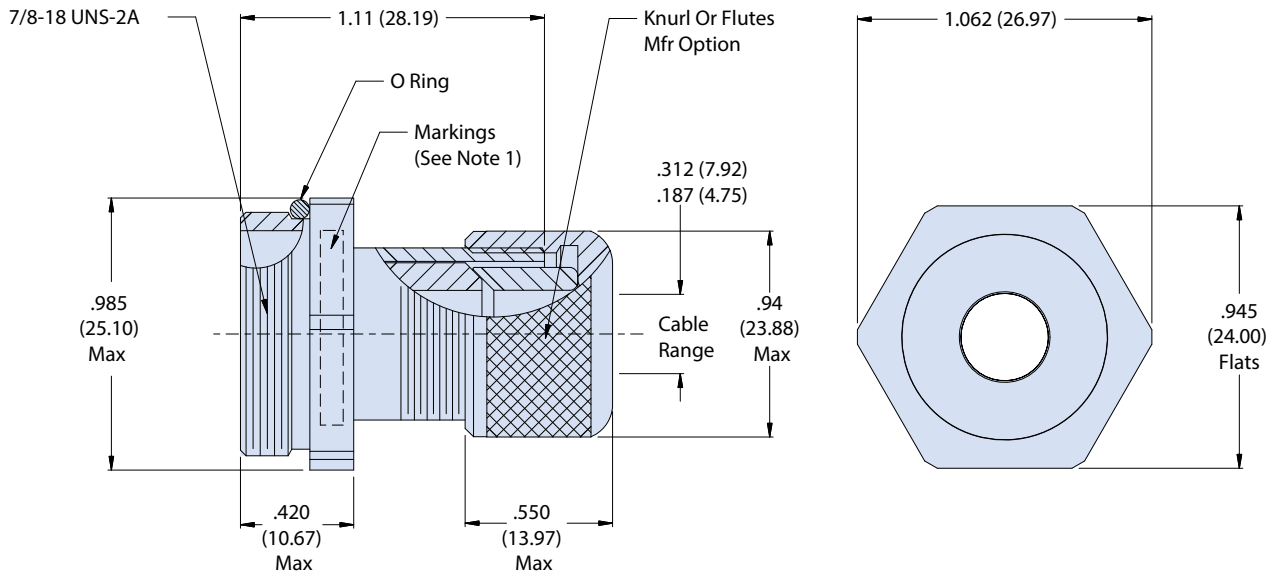


637-204 Environmental Backshell with Sealing Gland for 253-100 RJ45 38999 Series III Type Connectors



How To Order		
Sample Part Number	637-204	M
Series	637-204	
Material and Finish	See Material and Finish Table	

MIL-DTL-38999 Type



Materials and Finishes	
NF	Aluminum/Cadmium, olive drab
ME	Aluminum/Electroless nickel
MT	Aluminum/ Nickel PTFE
ZR	Aluminum/ Black zinc-nickel

NOTES

- Glenair 600 series backshell assembly tools are recommended for assembly and installation
- O-ring and grommet: fluorosilicone

M