



RJ45 CAT 5E ETHERNET COMPATIBLE

Series 801, 804 and 805 Mighty Mouse

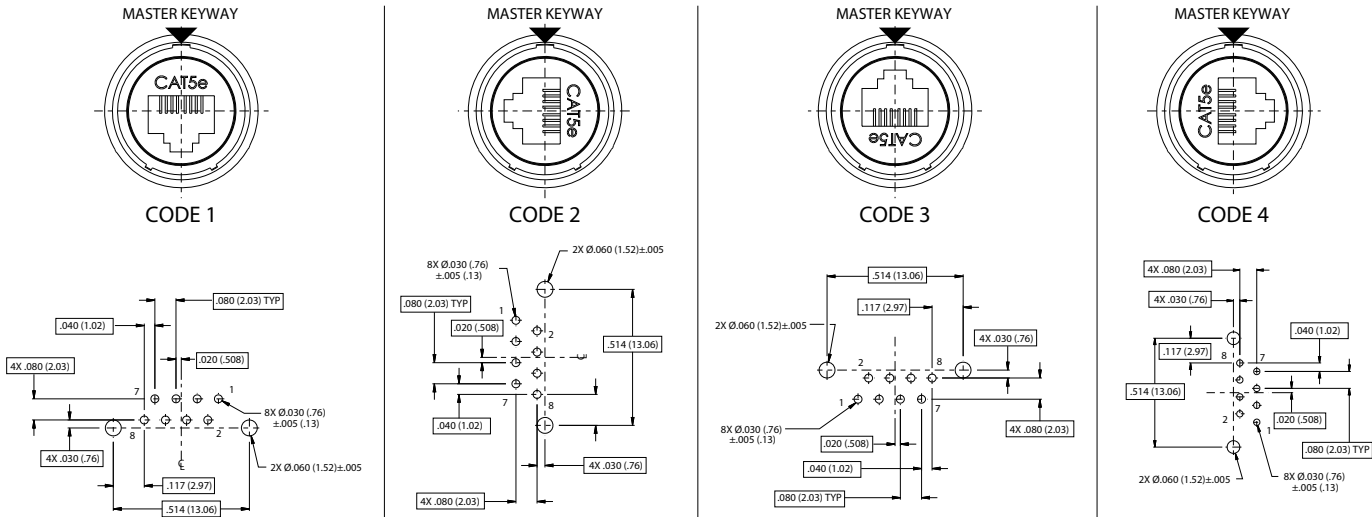
805-302 Triple-Start Receptacle with RJ45 Jack to PC Tail Termination



Series 805 Triple Start

How To Order									
Sample Part Number	805-302	NF	07	G	19	5H	A	1	
Series	805-302 = PC Tail								
Material and Finish¹	NF = Aluminum/Cadmium, Olive Drab M = Aluminum/Electroless Nickel MT = Aluminum/Nickel PTFE ZNU = Aluminum/Black Zinc Nickel								
Shell Style¹	02 = Front or Rear Panel Mount Square Flange Receptacle 12 = Rear Panel Mount Square Flange Receptacle with "Non-Locking" Clinch Nuts 22 = Rear Panel Mount Square Flange Receptacle with "Locking" Clinch Nuts 07 = Rear Panel Mount Jam Nut Receptacle								
Grounding	G = Shielded and grounded to shell For improved 360° shielding performance select shell size 21								
Shell Size	19 = Shell Size 19 21 = Shell Size 21								
RJ45 Category	5H = Cat 5E For Cat 6A applications consult factory								
Alternate Key Positions¹	A, B, C, D, E, F ; A = Normal								
RJ45 Orientation Option	1, 2, 3, 4								

RJ45 RECEPTACLE ORIENTATION OPTIONS AND PCB FOOTPRINT (PARTIAL VIEWS SHOWN)



PCB Layout (Solder Side Shown)

Square Flange Mount Dimensions									
Shell Size	Ø A	B Flat	C Thread	Ø D	Ø E	F SQ	G BSC	Ø H	J SQ
19	1.235 (31.69)	1.205 (30.61)	1.1875-.1P-.3L-TS-2A	0.912 (23.16)	2.094 (53.19)	1.537 (39.04)	1.327 (33.71)	2.197 (55.80)	1.647 (41.83)
21	1.360 (34.54)	1.330 (33.78)	1.3125-.1P-.3L-TS-2A	1.017 (25.83)	2.270 (57.66)	1.663 (42.24)	1.452 (36.88)	2.380 (60.45)	1.772 (45.01)

Jam Nut and Plug Dimensions				
Shell Size	Ø K	L	M Flat	N Thread
19	1.450 (36.83)	1.420 (36.07)	1.221 (31.01)	1.2500-28 UN-2A
21	1.590 (40.39)	1.560 (39.62)	1.350 (34.29)	1.3750-28 UN-2A

NOTES

1. See Section A for recommended panel cutout dimensions, additional finishes and alternate keyway positions
2. Meets IP67 sealing requirement in unmated condition



RJ45 CAT 5E ETHERNET COMPATIBLE
Series 801, 804 and 805 Mighty Mouse
 805-302 Triple-Start Receptacle with
 RJ45 Jack to PC Tail Termination

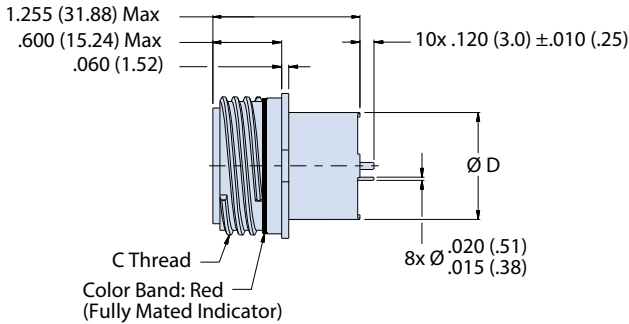
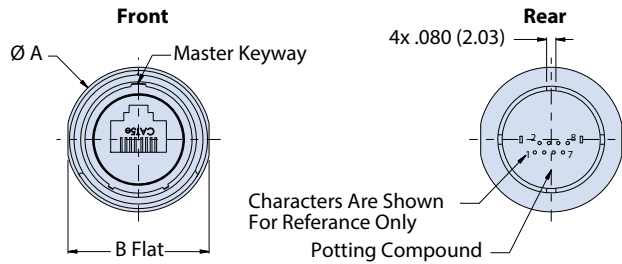


Series 805 Triple Start

K

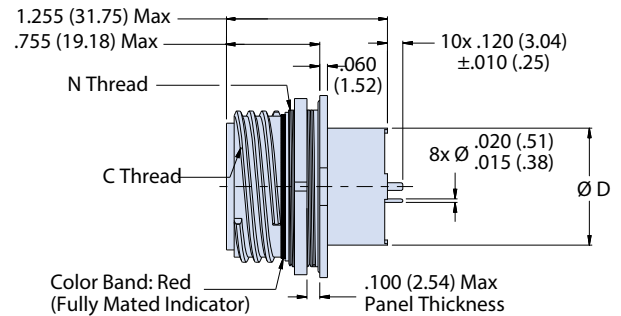
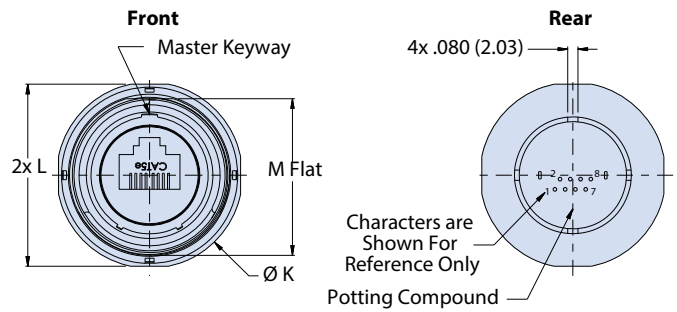
SHELL STYLE 01 INLINE

RJ45 Jack Category (Cat 5e) Orientation 3 Shown



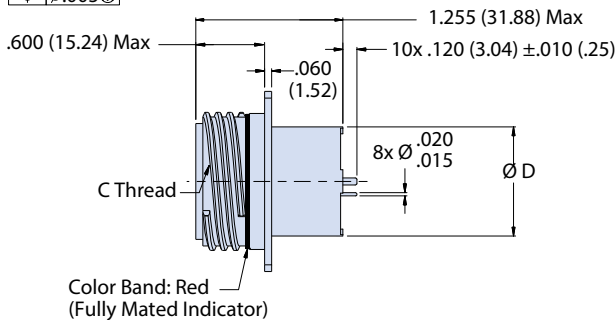
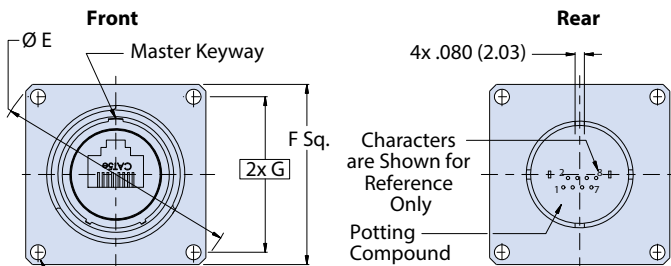
SHELL STYLE 07 JAM NUT

RJ45 Jack Category (Cat 5e) Orientation 3 Shown



SHELL STYLE 02 FRONT OR REAR PANEL MOUNT SQUARE FLANGE RECEPTACLE

RJ45 Jack Category (Cat 5e) Orientation 3 Shown



SHELL STYLE 12 AND 22 REAR PANEL MOUNT SQ FLANGE RECEPTACLE WITH CLINCH NUTS

RJ45 Jack Category (CAT 5e) Orientation 3 Shown

