



# RJ45 CAT 5E ETHERNET COMPATIBLE Series 801, 804 and 805 Mighty Mouse



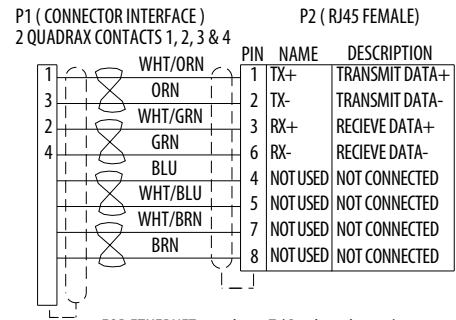
## 804-305 Push/Pull Receptacle Adapter with Quadrax Contacts to RJ45 Jack

Series 804 Push/Pull

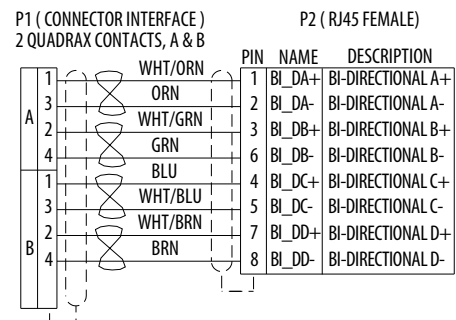
| How To Order                           |   |
|--|---|
| <b>Sample Part Number</b>              | <b>804-305 - NF 07 G 16 5H P A</b>  |
| <b>Series</b>                          | <b>804-305</b>  |
| <b>Rear Accessory Option</b>           | - = Accessory Thread<br>B = Boot Adapter<br>S = Banding Platform  |
| <b>Material and Finish<sup>1</sup></b> | NF = Al/Cadmium, Olive Drab<br>M = Al/Electroless Nickel<br>MT = Al/Nickel PTFE<br>ZNU = Al/Black Zinc Nickel             |
| <b>Shell Style<sup>1</sup></b>         | 01 = In Line Receptacle<br>00 = Jam Nut Receptacle, FPM<br>07 = Jam Nut Receptacle, RPM<br>16 = Plug                      |
| <b>Grounding</b>                       | - = Inline Shielded<br>G = Shielded and grounded to shell<br>For improved 360° shielding performance select shell size 16 |
| <b>Shell Size</b>                      | 15 = Shell Size 15 16 = Shell Size 16   |
| <b>RJ45 Category</b>                   | 5H = Cat 5E For Cat 6A applications consult factory   |
| <b>Contact Style<sup>3</sup></b>       | P = Pin S = Socket  |
| <b>RJ45 Orientation</b>                | A, B, C, D, E, F; Omit for single keyway (non polarized)  |

### WIRING DIAGRAMS

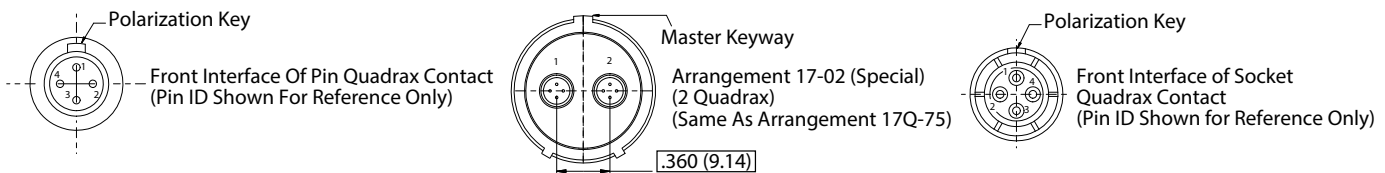
FOR ETHERNET 10base-T & 100 base-TX  
(COLOR CODES PER EIA/TIA 568B)



FOR ETHERNET 1000base-T (Gigabit ethernet)  
(COLOR CODES PER EIA/TIA 568B)

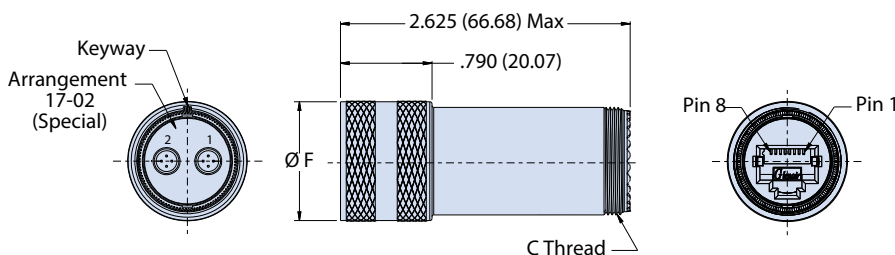


### PARTIAL VIEW OF CONNECTOR QUADRAX INTERFACE



| Receptacle Dimensions |                |               |                 |                  |               |              |               |                 |
|-----------------------|----------------|---------------|-----------------|------------------|---------------|--------------|---------------|-----------------|
| Size Shell            | Mounting Style | Ø A           | B Threads       | C Threads        | Ø D           | Ø E          | Ø F           | K Threads       |
| 15                    | Front Mount    | --            | --              | .9375-20 UNEF-2A | 1.450 (35.31) | .850 (21.59) | 1.060 (26.92) | 1.125-28 UN-2A  |
|                       | Rear Mount     | 1.390 (35.31) | 1.0625-20 UN-2A |                  | --            | --           | --            | --              |
| 16                    | Front Mount    | --            | --              | 1.000-20 UNEF-2A | 1.502 (38.15) | .902 (22.91) | 1.188 (30.18) | 1.1875-28 UN-2A |
|                       | Rear Mount     | 1.425 (36.20) | 1.250-28 UN-2A  |                  | --            | --           | --            | --              |

### SHELL STYLE 01 IN-LINE RECEPTACLE



### NOTES

- See Section A for recommended panel cutout dimensions, additional finishes and alternate keyway positions.
- Meets IP67 sealing requirement in unmated condition
- Pin contact mates with Glenair socket contact P/N 854-002-XX. Socket contact mates with Glenair pin contact P/N 854-001-XX



RJ45 CAT 5E ETHERNET COMPATIBLE  
**Series 801, 804 and 805 Mighty Mouse**  
 804-305 Push/Pull Receptacle Adapter with  
 Quadrax Contacts to RJ45 Jack

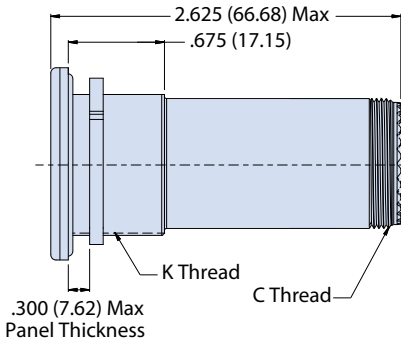


Series 804 Push/Pull

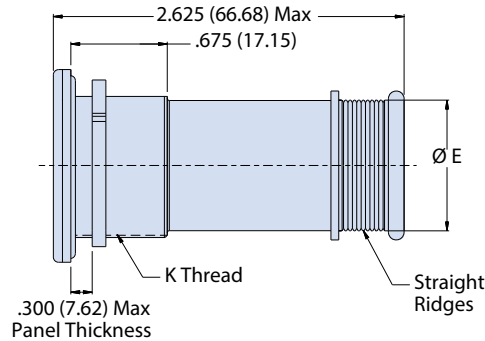
K

**SHELL STYLE 00 FRONT PANEL MOUNT JAM NUT RECEPTACLE**

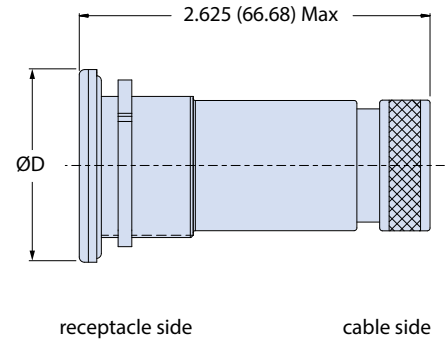
**(-) Accessory Thread**



**(S) Banding Platform**

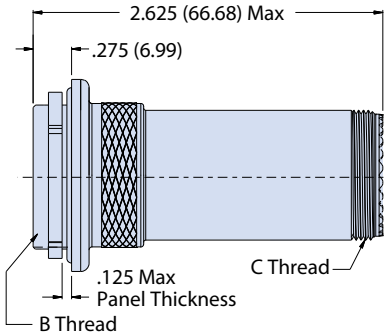


**(B) Boot Adapter**

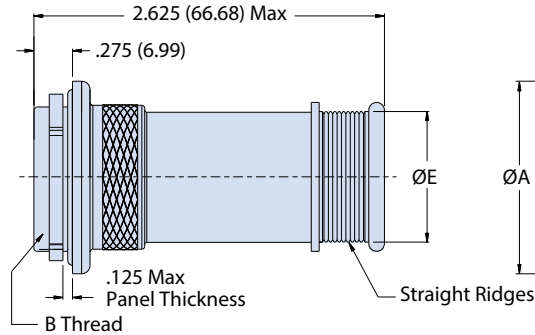


**SHELL STYLE 07 REAR PANEL MOUNT JAM NUT RECEPTACLE**

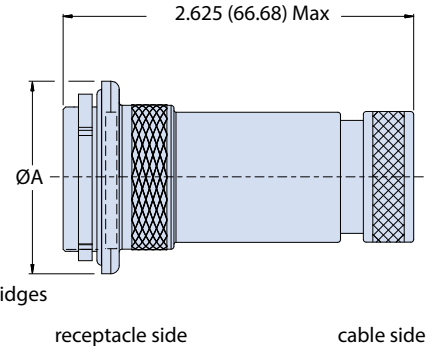
**(-) Accessory Thread**



**(S) Banding Platform**

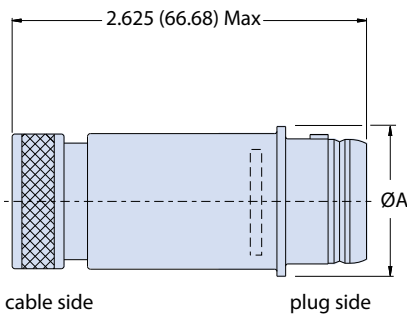


**(B) Boot Adapter**

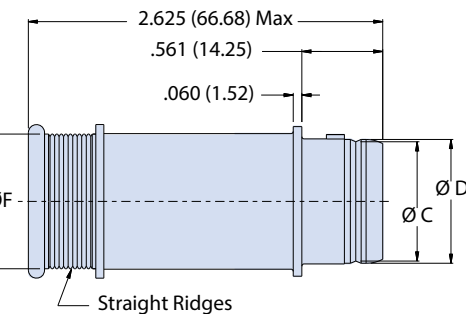


**SHELL STYLE 16 PLUG**

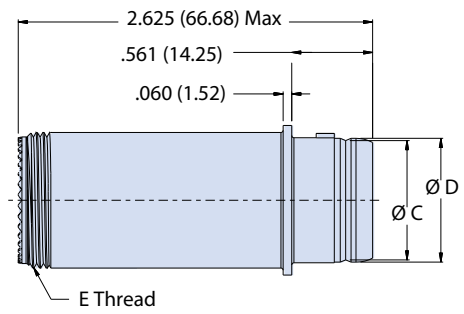
**(B) Boot Adaptor**



**(S) Banding Platform**



**(-) Accessory Thread**



| Plug Dimensions |               |              |              |                   |              |
|-----------------|---------------|--------------|--------------|-------------------|--------------|
| Shell Size      | Ø A Max       | Ø C          | Ø D          | E Thread          | Ø F          |
| 15              | 1.045 (26.54) | .828 (21.03) | .860 (21.84) | .9375-20 UNEF-2A  | .850 (21.59) |
| 16              | 1.095 (27.81) | .878 (22.30) | .910 (23.11) | 1.0000-20 UNEF-2A | .902 (22.91) |