



RJ45 CAT 5E ETHERNET COMPATIBLE Series 801, 804 and 805 Mighty Mouse



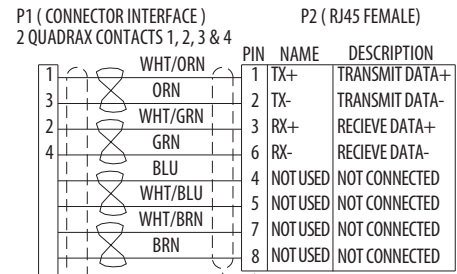
801-305 Double-Start Receptacle Adapter with Quadrax Contacts to RJ45 Jack

Series 801 Double Start

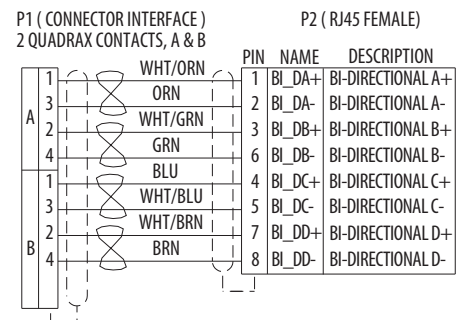
How To Order	
Sample Part Number	801-305 - NF 07 G 17 5H P A
Series	801-305 Quadrax to RJ45 Jack
Rear Accessory Option	- = Accessory Thread and Teeth B = Integral Boot Adapter S = Integral Banding Platform
Material and Finish¹	NF = Aluminum/Cadmium, Olive Drab M = Aluminum/Electroless Nickel MT = Aluminum/Nickel PTFE ZNU = Aluminum/Black Zinc Nickel
Shell Style¹	01 = In Line Receptacle 26 = Plug 02 = Front or Rear Panel Mount Square Flange Receptacle 07 = Rear Panel Mount Jam Nut Receptacle
Grounding	- = Inline Shielded G = Shielded and grounded to shell For improved 360° shielding performance select shell size 19
Shell Size	17 = Shell Size 17 19 = Shell Size 19
RJ45 Category	5H = Cat 5E; For Cat 6A applications consult factory
Contact Style³	P = Pin S = Socket
Alternate Key Positions¹	A, B, C, D, E, F

WIRING DIAGRAMS

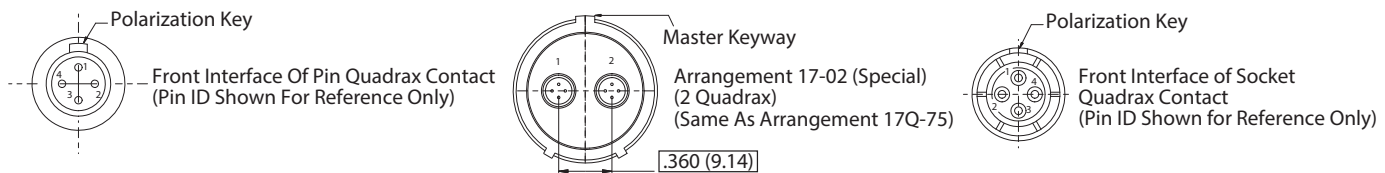
FOR ETHERNET 10base-T & 100 base-TX
(COLOR CODES PER EIA/TIA 568B)



FOR ETHERNET 1000base-T (Gigabit ethernet)
(COLOR CODES PER EIA/TIA 568B)



PARTIAL VIEW OF CONNECTOR QUADRAX INTERFACE



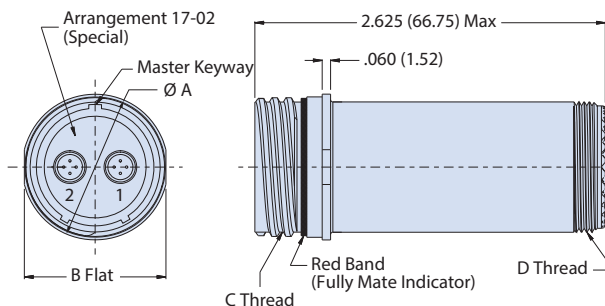
Receptacle Dimensions

Shell Size	Ø A		B Flat		C Threads	D Threads	Ø E		F SQ		G BSC		Ø J		K Flat		M Threads	Ø N	
	in	mm	in	mm			in	mm	in	mm	in	mm	in	mm	in	mm		in	mm
17	1.110	28.19	1.070	27.18	1.0625-.1P-.2L-DS-2A	.9375-20 UNEF-2A	1.700	43.18	1.280	32.51	1.060	26.92	1.325	33.66	1.290	32.77	1.1250-28 UN-2A	0.850	21.59
19	1.243	31.57	1.191	30.25	1.1875-.1P-.2L-DS-2A	1.0625-18 UNEF-2A	1.900	48.26	1.432	36.37	1.191	30.25	1.450	36.83	1.415	35.94	1.2500-28 UN-2A	1.003	25.48

NOTES

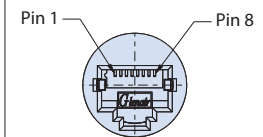
- See Section A for recommended panel cutout dimensions, additional finishes and alternate keyway positions.
- Meets IP67 sealing requirement in unmated condition.
- Pin contact shall mate with Glenair socket contact P/N 854-002-XX. Socket contact shall mate with Glenair pin contact P/N 854-001-XX. Contact factory for more information.

SHELL STYLE 01 IN-LINE RECEPTACLE



Rear View

Orientation and pin position apply to all connector styles.





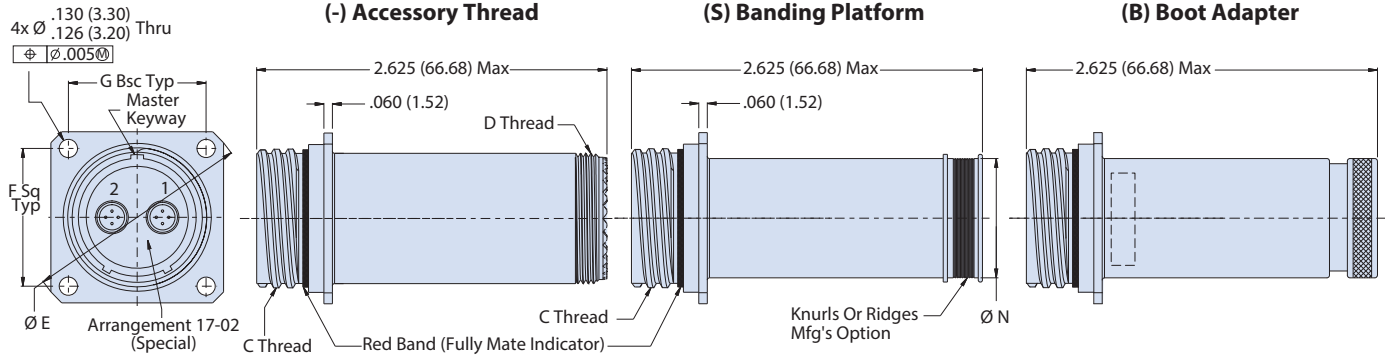
RJ45 CAT 5E ETHERNET COMPATIBLE Series 801, 804 and 805 Mighty Mouse



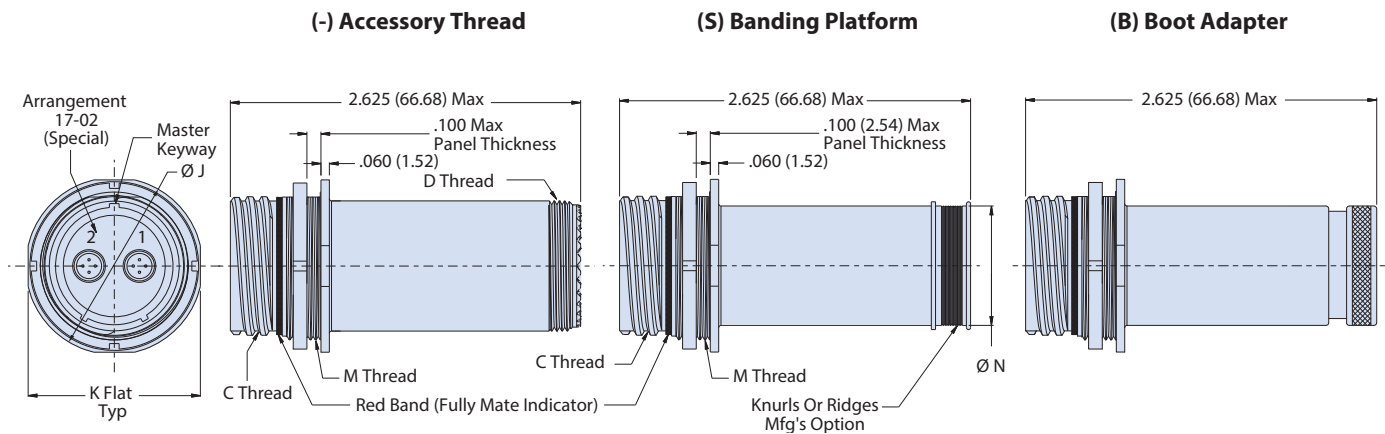
801-305 Double-Start Receptacle Adapter with Quadrx Contacts to RJ45 Jack

Series 801 Double Start

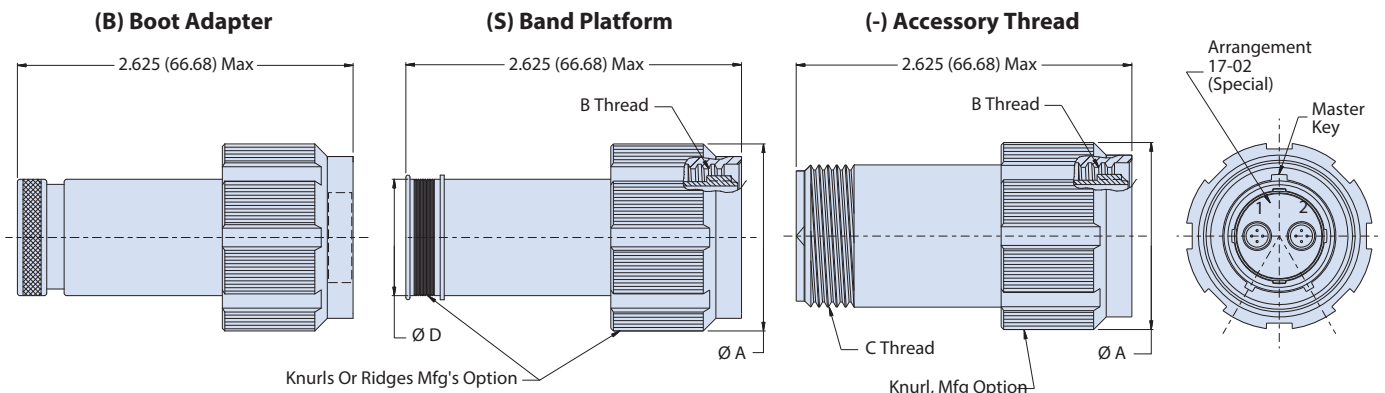
SHELL STYLE 02 FRONT OR REAR PANEL MOUNT SQUARE FLANGE RECEPTACLE



SHELL STYLE 07 REAR PANEL MOUNT JAM NUT RECEPTACLE



SHELL STYLE 26 PLUG



Plug Dimensions				
Shell Size	$\phi \ A$	B Threads	C Threads	$\phi \ D$
17	1.450 (36.83)	1.0625-1P-.2L-DS-2B	.9375-20 UNEF-2A	.850 (21.59)
19	1.560 (39.62)	1.1875-1P-.2L-DS-2B	1.0625-18 UNEF-2A	1.003 (25.48)

K