



RJ45 CAT 5E ETHERNET COMPATIBLE Series 801, 804 and 805 Mighty Mouse

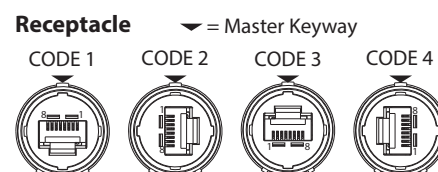
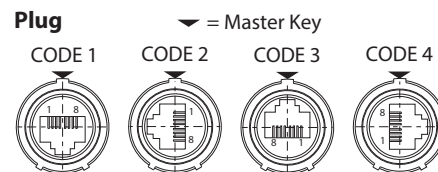


801-301 Double-Start Connector with RJ45 Plug (Plug) or Jack (Receptacle) to Crimp Removable Contacts

Series 801 Double Start

How To Order	
Sample Part Number	801-301 - NF 07 G 19 5H A 1
Series	801-301
Rear Accessory Option	- = Accessory Thread and Teeth B = Integral Boot Adapter S = Integral Banding Platform
Material and Finish¹	NF = Al/Cadmium, Olive Drab M = Al/Electroless Nickel MT = Al/Nickel PTFE ZNU = Al/Black Zinc Nickel
Shell Style¹	01 = In Line Receptacle 02 = Front or Rear Panel Mount Square Flange Receptacle 07 = Rear Panel Mount Jam Nut Receptacle 26 = Plug
Grounding²	- = Inline Shielded G = Shielded and grounded to shell
Shell Size	17 = Shell Size 17 19 = Shell Size 19
RJ45 Category	5H = Cat 5E For Cat 6A applications consult factory
Alternate Key Positions¹	A, B, C, D, E, F
RJ45 Orientation	1, 2, 3, 4

RJ45 ORIENTATION OPTIONS



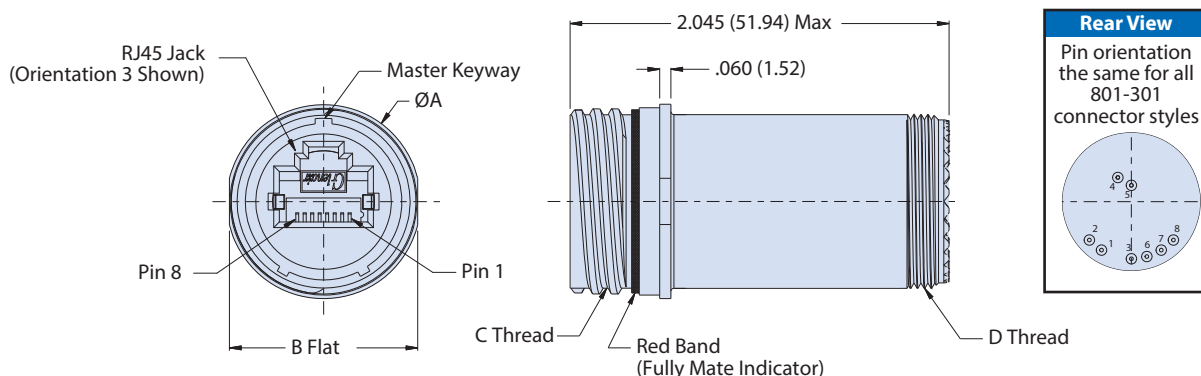
NOTES

1. See Section A for recommended panel cutout dimensions, additional finishes and alternate keyway positions.
2. G option is inline shielded and grounded to shell, receptacle only
3. Meets IP67 sealing requirement in unmated condition
4. Supplied with size 23 socket contacts (809-002 supplied loose) 1 extra contact provided

Receptacle Dimensions

Shell Size	Ø A		B Flat		C Threads	D Threads	Ø E		F SQ		G BSC		Ø J		K Flat		Ø N		
	in	mm	in	mm			in	mm	in	mm	in	mm	in	mm	in	mm	M Threads	in	mm
17	1.110	28.19	1.070	27.18	1.0625-.1P-.2L-DS-2A	.9375-20 UNEF-2A	1.700	43.18	1.280	32.51	1.060	26.92	1.325	33.66	1.290	32.77	1.1250-28 UN-2A	0.850	21.59
19	1.243	31.57	1.191	30.25	1.1875-.1P-.2L-DS-2A	1.0625-18 UNEF-2A	1.900	48.26	1.432	36.37	1.191	30.25	1.450	36.83	1.415	35.94	1.2500-28 UN-2A	1.003	25.48

SHELL STYLE 01 IN-LINE RECEPTACLE





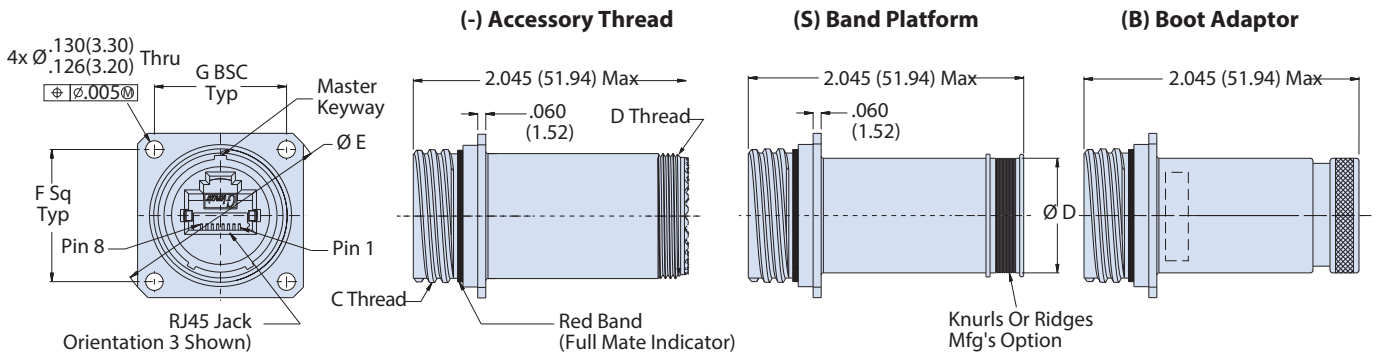
RJ45 CAT 5E ETHERNET COMPATIBLE
Series 801, 804 and 805 Mighty Mouse



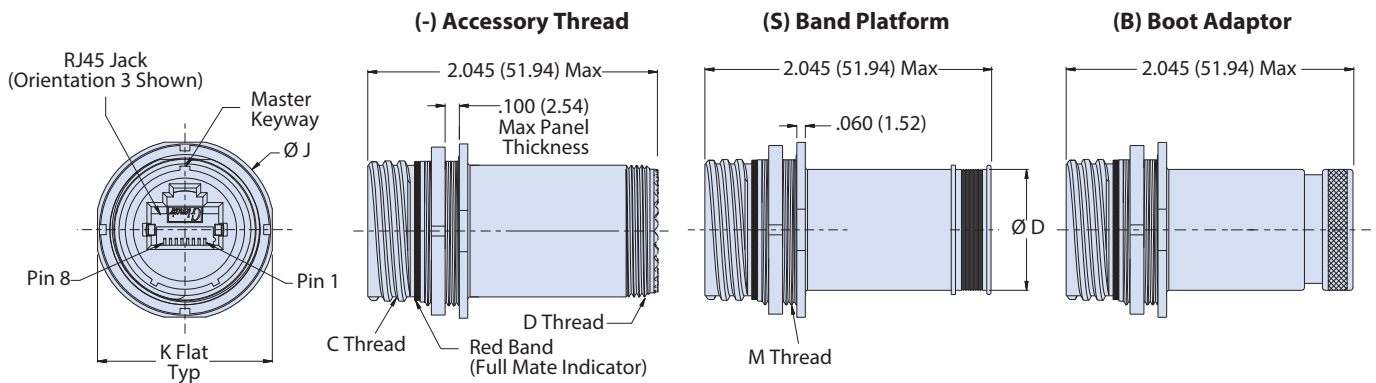
**801-301 Double-Start Connector with RJ45 Plug (Plug)
 or Jack (Receptacle) to Crimp Removable Contacts**

Series 801 Double Start

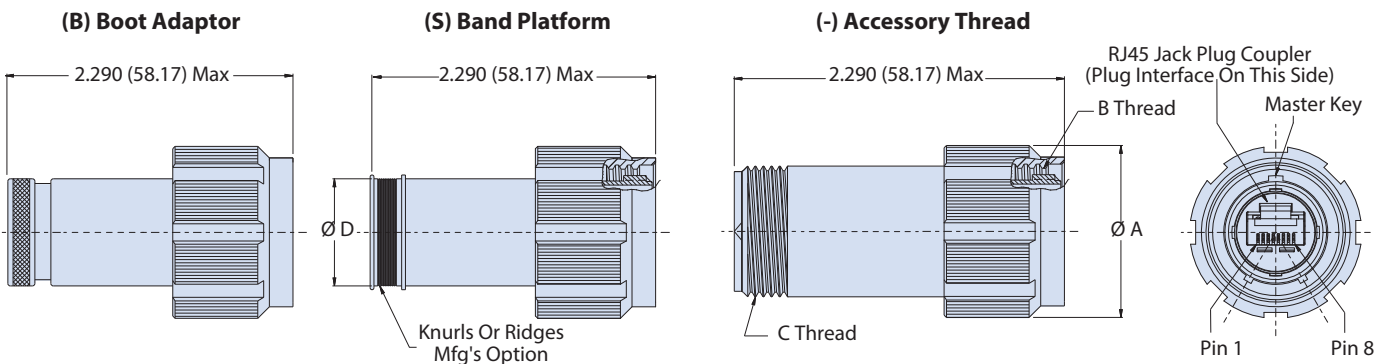
SHELL STYLE 02 FRONT OR REAR PANEL MOUNT SQUARE FLANGE RECEPTACLE



SHELL STYLE 07 REAR PANEL MOUNT JAM NUT RECEPTACLE



SHELL STYLE 26 PLUG



Plug Dimensions			
Shell Size	Ø A	B Threads	Ø C
17	1.450 (36.83)	1.0625-1P-.2L-DS-2B	.850 (21.59)
19	1.560 (39.62)	1.1875-1P-.2L-DS-2B	1.003 (25.48)

K