



# MICRO USB 2.0 Series 805 Mighty Mouse



## 805-087 and 805-088 Plug Adapter with USB Micro "B" Male Interface

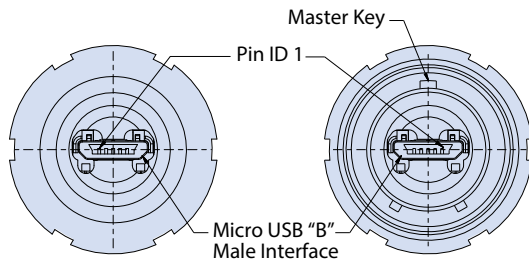


Plug and Rear View  
of Micro "B" Male Interface

How To Order				
Sample Part Number	805-087	-16 MUSB	-M	A
Series	805-087 = Shield Termination Porch 804-088 = Accessory Threads			
Shell Style	16 = Plug with Anti-decoupling Spring			
Shell Material and Finish <sup>1</sup>	NF = AL/Cadmium, Olive Drab MT = AL/Nickel PTFE		M = AL/Electroless Nickel ZNU = AL/Black Zinc Nickel	
Alternate Key Positions <sup>1</sup>	A, B, C, D, E, F			

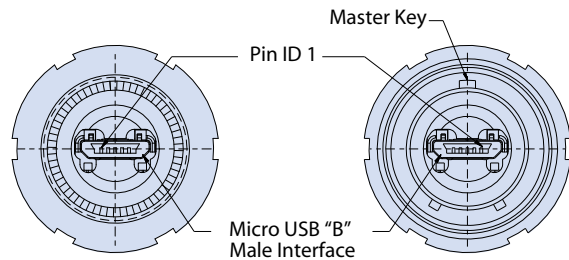
### 805-087 PLUG ADAPTER, SHELL SIZE 10

### 805-088 PLUG ADAPTER, SHELL SIZE 10



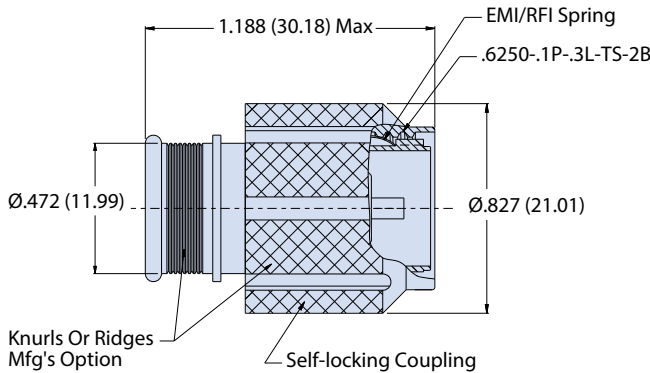
Face view of plug adapter  
as viewed from cable end.

Face view of plug adapter  
as viewed from engaging end.

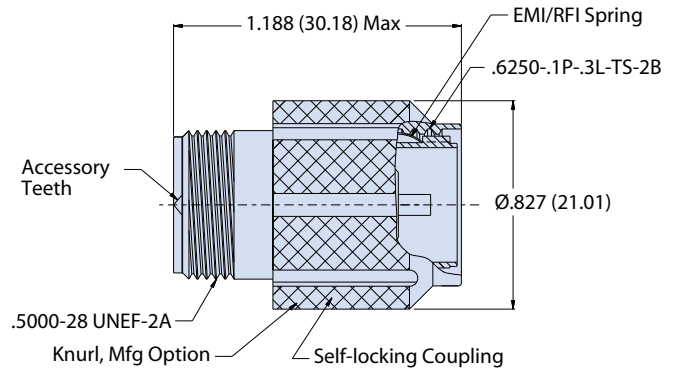


Face view of plug adapter  
as viewed from cable end.

Face view of plug adapter  
as viewed from engaging end.



**805-087 Plug Adapter  
with Shield Termination Porch**



**805-088 Plug Adapter  
with Accessory Thread**



Rear Micro "B" USB Plug (Cable End)



Front Micro "B" USB Plug (engaging end)

### NOTES

1. See Section A for alternate keyway positions and additional finishes.
2. These plug connectors mate with Glenair receptacles 805-084, 805-085, 805-089 and 805-090.