



MICRO USB 2.0 Series 801 Mighty Mouse



805-084 and 805-085 Receptacle with USB Micro "AB" Female Interface to Crimp Removable Contacts

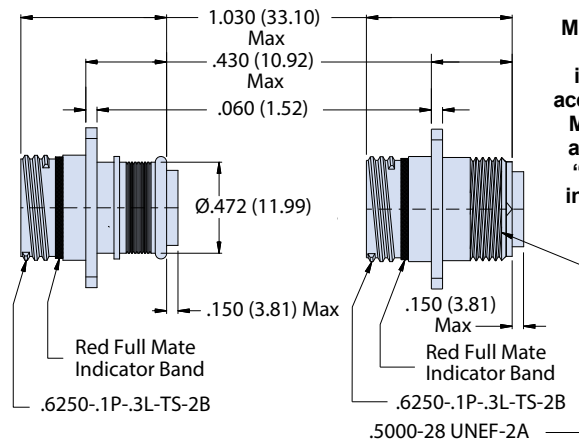
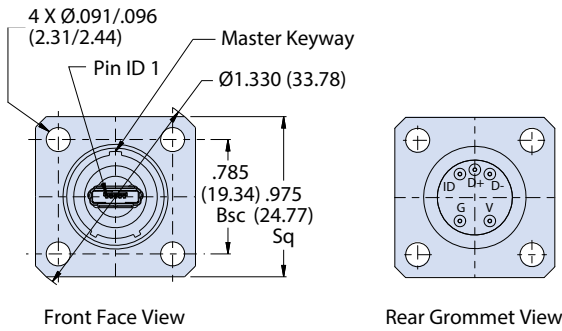
Series 805 Triple Start



Receptacles and Rear View of Crimp Termination

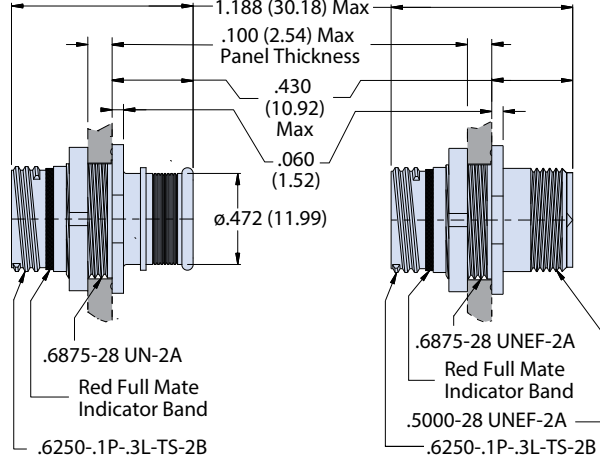
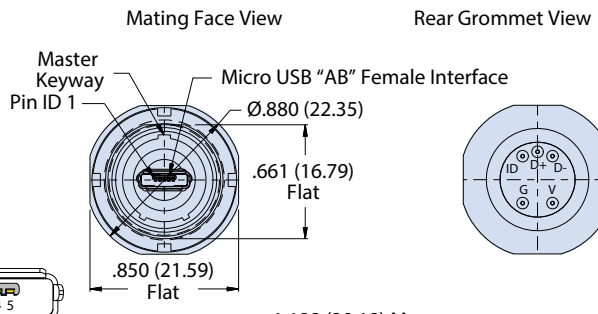
How To Order				
Sample Part Number	805-084	-07 MUSB	-M	A
Series	805-084 = Shield Termination Porch 805-085 = Accessory Threads			
Shell Style	02 = Square Flange Mount Receptacle 07 = Jam Nut Mount Receptacle			
Shell Material and Finish ¹	NF = AL/Cadmium, Olive Drab MT = AL/Nickel PTFE		M = AL/Electroless Nickel ZNU = AL/Black Zinc Nickel	
Alternate Key Positions ¹	A, B, C, D, E, F			

805-084-02 AND 805-085-02 SQUARE FLANGE, SHELL SIZE 10^{1,2}



805-084-02 Receptacle with Shield Termination Porch **805-085-02 Receptacle with Accessory Threads**

805-084-07 AND 805-085-07 JAM NUT, SHELL SIZE 10^{1,2}



805-084-07 Receptacle with Shield Termination Porch **805-085-07 Receptacle with Accessory Threads**

NOTES

- See Section A for recommended panel cutout, additional finishes and alternate keyway positions.
- These plug connectors mate with Glenair receptacles 805-082, 805-083, 805-087 and 805-088.

Wire Schematic				
Rear Grommet Side			Mating Side	
Label	Cable Color (Typ)		ID	Micro USB Pin Description
V	Red	1	VBUS (V)	
G	Black	2	D-	
D-	White	3	D+	
D+	Green	4	ID	
ID	None	5	GND (G)	

Ground