



MICRO USB 2.0

Series 804 Push/Pull Mighty Mouse

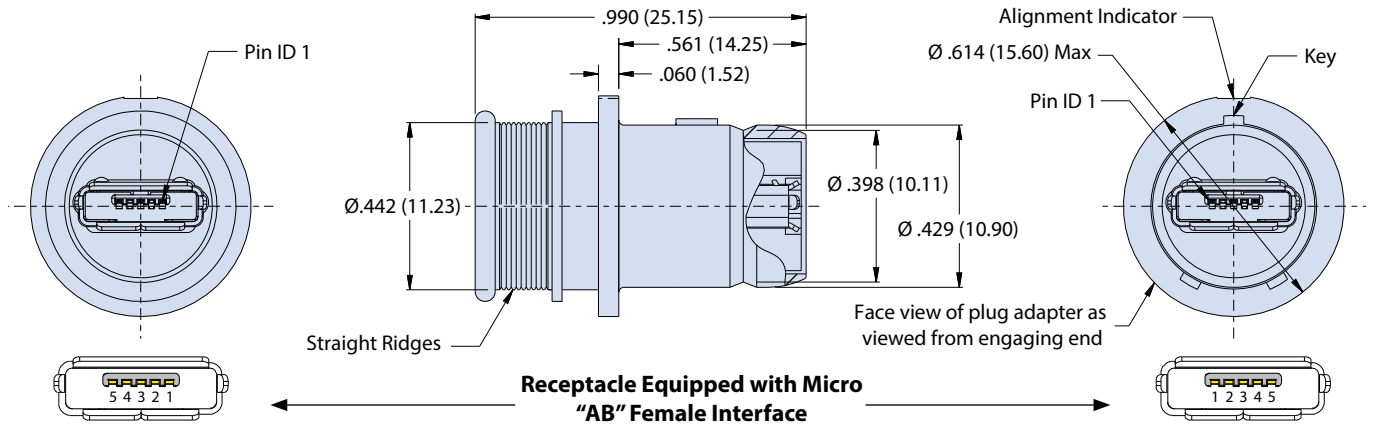
804-087 and 804-088 Plug Adapter with USB Micro "AB" Female Interface



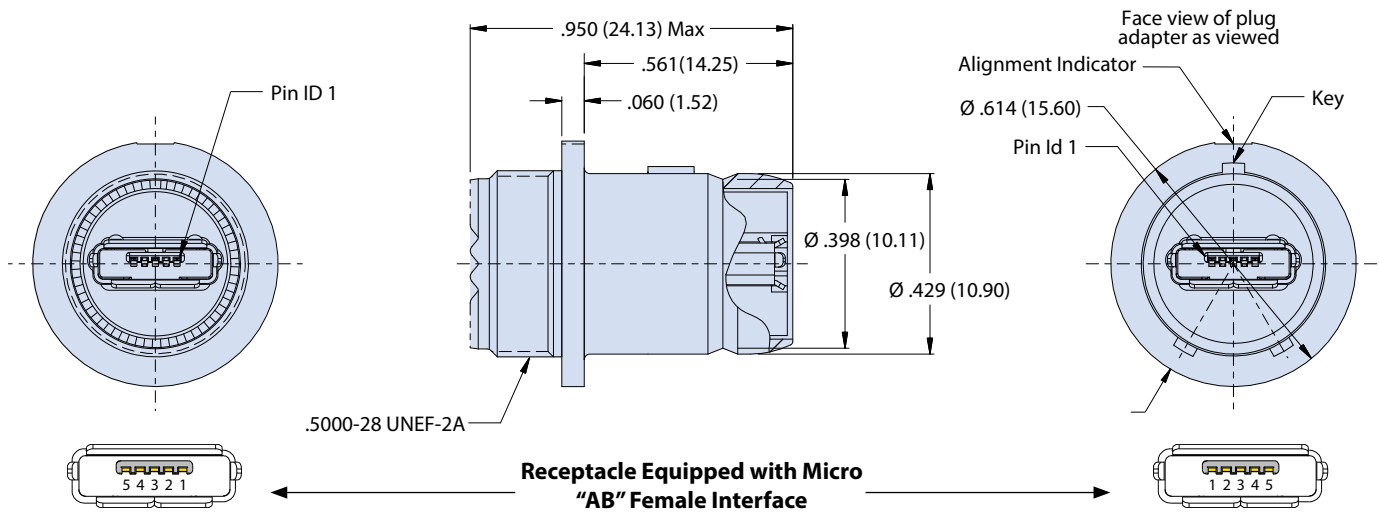
Plug and Rear View of Micro "AB" Female Interface

How To Order				
Sample Part Number	804-087	-06 MUSB	-M	A
Series	804-087 = Shield Termination Porch 804-088 = Accessory Threads			
Shell Style	06 = Plug			
Shell Material and Finish ¹	NF = AL/Cadmium, Olive Drab MT = AL/Nickel PTFE		M = AL/Electroless Nickel ZNU = AL/Black Zinc Nickel	
Alternate Key Positions ¹	A, B, C, D, E, F			

804-087 PLUG ADAPTER, SHELL SIZE 8^{1,2}



804-088 PLUG ADAPTER, SHELL SIZE 8^{1,2}



NOTES

1. See Section A for recommended panel cutout, alternate keyway positions and additional finishes.
2. These plug connectors mate with Glenair receptacles 804-082, 804-083, 804-084 and 804-085.