



MICRO USB 2.0

# Series 804 Push/Pull Mighty Mouse



## 804-084 and 804-085 Receptacle with USB Micro "B" Female Interface to Crimp Removable Contacts

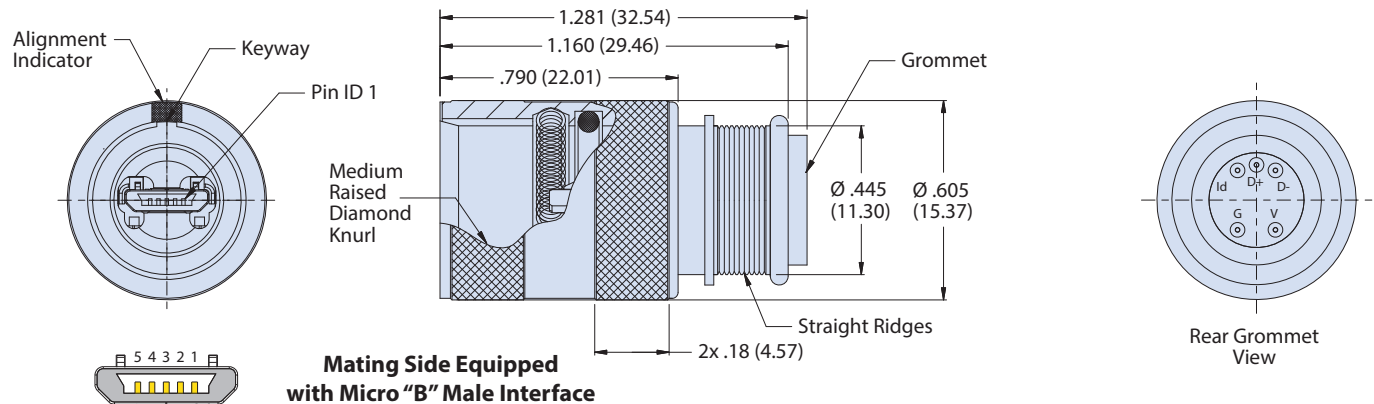
Series 804 Push/Pull



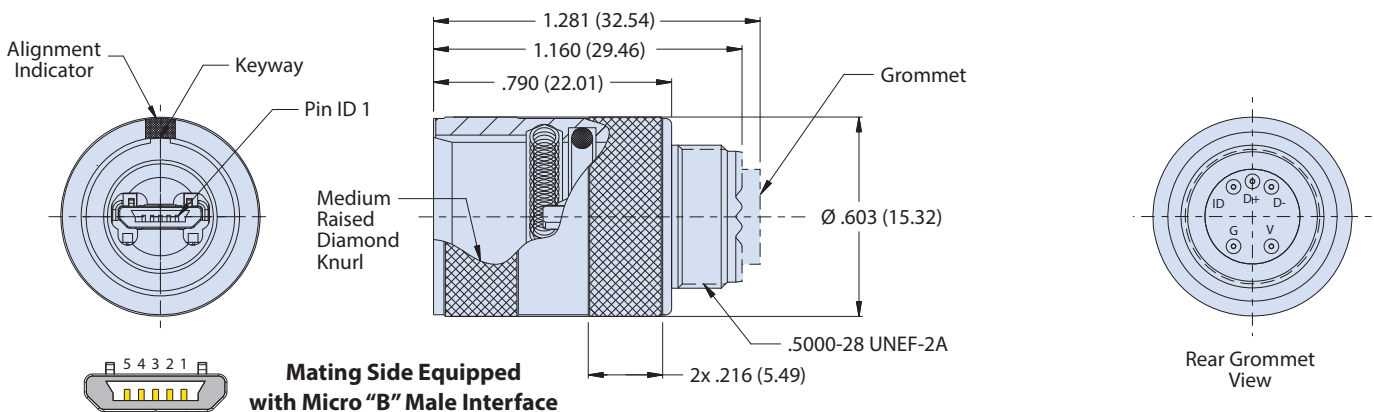
Receptacle and Rear View of Crimp Termination

How To Order				
Sample Part Number	804-084	-01 MUSB	-M	A
Series	804-084 = Shield Termination Porch 804-085 = Accessory Threads			
Shell Style	01 = In Line Receptacle			
Shell Material and Finish <sup>1</sup>	NF = AL/Cadmium, Olive Drab MT = AL/Nickel PTFE	M = AL/Electroless Nickel ZNU = AL/Black Zinc Nickel		
Alternate Key Positions <sup>1</sup>	A, B, C, D, E, F			

### 804-084 RECEPTACLE, SHELL SIZE 8<sup>1,2</sup>



### 804-085 RECEPTACLE, SHELL SIZE 8<sup>1,2</sup>



#### NOTES

- See Section A for alternate keyway positions and additional finishes.
- These plug connectors mate with Glenair receptacles 804-082, 804-083, 804-087 and 804-088.
- Contacts are rear crimp type and are used in a rear retention system (809-005).

#### Wire Schematic

Rear Grommet Side		Mating Side	
Label	Cable Color (Typ)	ID	Micro USB Pin Description
V	Red	1	VBUS (V)
G	Black	2	D-
D-	White	3	D+
D+	Green	4	ID
ID	None	5	GND (G)

Ground