



MICRO USB 2.0

Series 801 Mighty Mouse

801-087 and 801-088 Plug Adapter with USB Micro "B" Male Interface



Series 801 Double Start

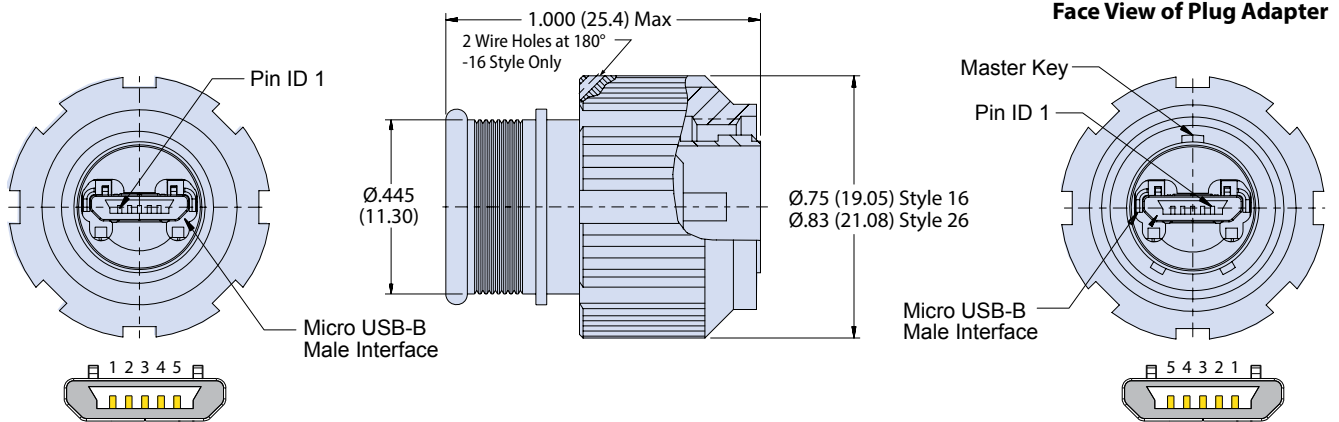


Plug and Rear View of Micro "B" Male Interface

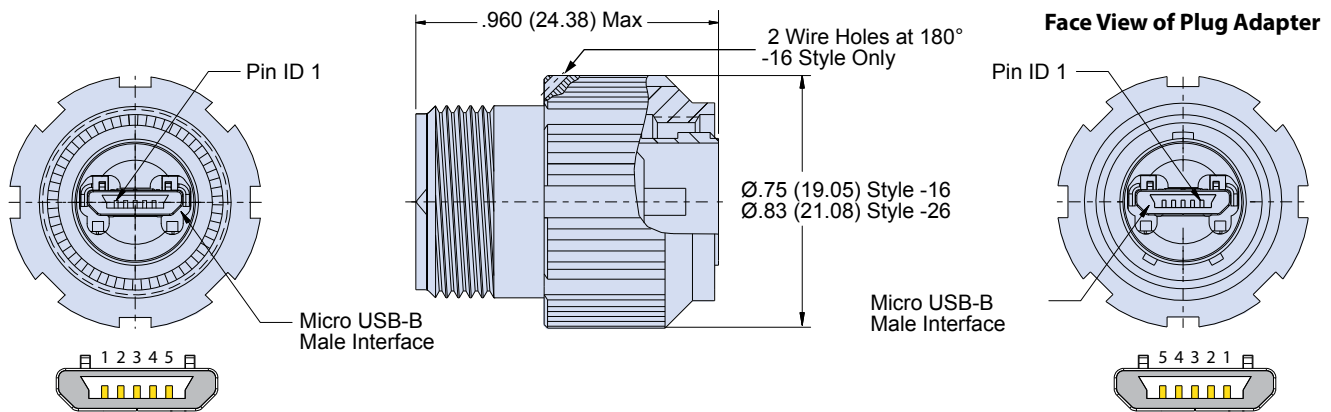


How To Order				
Sample Part Number	801-087	-16 MUSB	-M	A
Series	801-087 = Shield Termination Porch 801-088 = Accessory Threads			
Shell Style ¹	16 = Plug with Anti-Decoupling Spring 26 = Self-Locking Plug with Ratchet Mechanism			
Shell Material and Finish ¹	NF = Aluminum/Cadmium, Olive Drab M = Aluminum/Electroless Nickel MT = Aluminum/Nickel PTFE ZNU = Aluminum/Black Zinc Nickel			
Shell Key Positions	A, B, C, D, E, F			

801-087 WITH SHIELD TERMINATION PORCH, SHELL SIZE 8



801-088 PLUG WITH ACCESSORY THREADS, SHELL SIZE 8



NOTES

1. See Section A for alternate keyway positions, and additional finishes
2. Plug connectors mate with Glenair receptacles 801-084, 801-085, 801-089 and 801-090