



USB 2.0 TYPE A

Series IPT (26482 Type) Bayonet Coupler



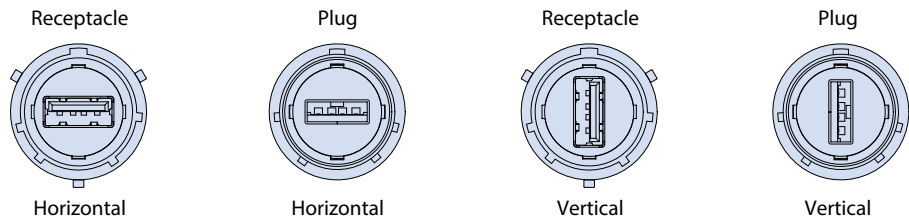
IPT345 Connectors with USB Male (Plug) or Female (Receptacle) Interface to Crimp Removable Contacts

G



How to Order	
Sample Part Number	IPT345 00 16 2 A H F6
Basic Number	IPT345
Connector Style	00 = Wall Mount Receptacle 070 = Rear Panel Mount Jam Nut Receptacle 06 = Straight Plug
Shell Size	16
USB Performance	2 = 2.0
USB Rear Jack Type	A = Type A
Orientation Option	H = Horizontal V = Vertical
Material/Finish	Omit for Cadmium/Olive Drab F6 = Black Polymer Electrocoat F7 = Conductive Black Zinc Nickel F11 = Electroless Nickel

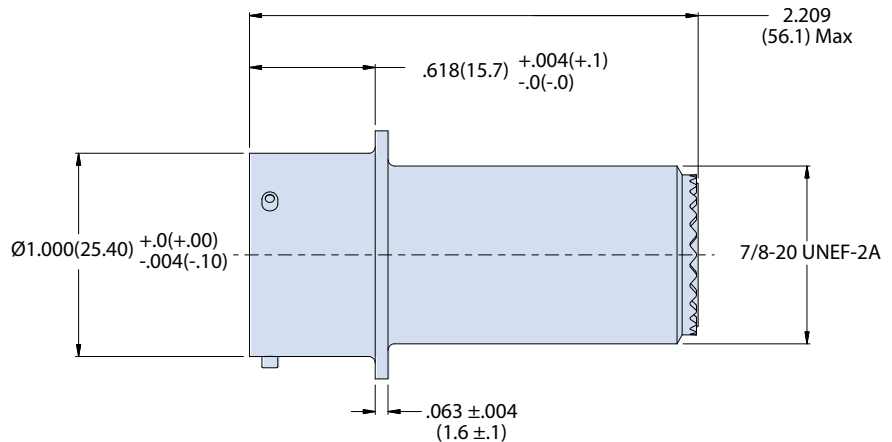
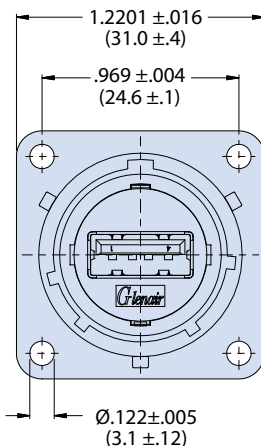
USB Orientation Options



NOTES

1. See Section A for panel cutout dimensions

00 - WALL MOUNT RECEPTACLE WITH ACCESSORY THREADS





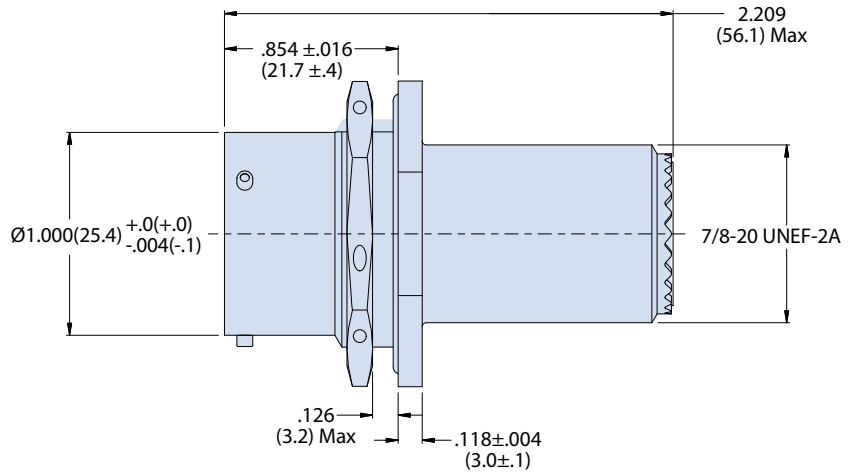
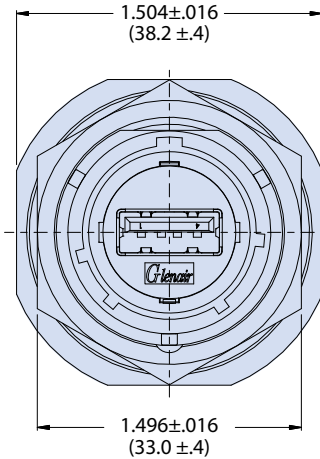
USB 2.0 TYPE A

Series IPT (26482 Type) Bayonet Coupler

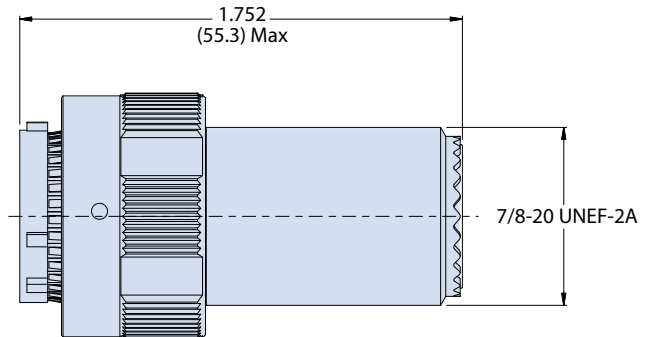
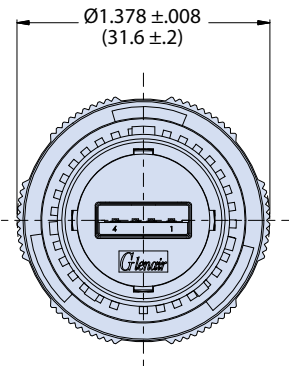


IPT345 Connectors with USB Male (Plug) or Female (Receptacle) Interface to Crimp Removable Contacts

070 - REAR PANEL MOUNT JAM NUT RECEPTACLE WITH ACCESSORY THREADS



06 - PLUG WITH ACCESSORY THREADS



Crimp Contact Layout (Horizontal Orientation Shown)

