



RJ45 CAT 5E ETHERNET

Series IPT (26482 Type) Bayonet Coupler

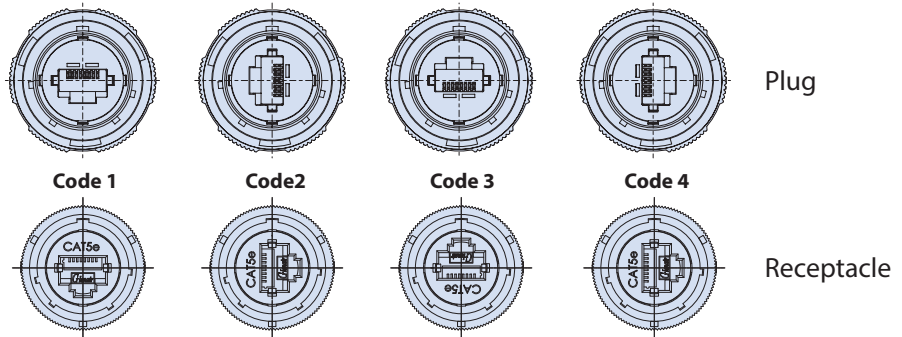


IPT301 Connector with Accessory Threads and RJ45 Plug (Plug) or Jack (Receptacle) to Crimp Removable Contacts



How to Order	
Sample Part Number	IPT301 00 G 18 5E 1 F7
Basic Number	IPT301
Connector Style	00 = Front Panel Mount Square Flange Receptacle 01 = In-Line Receptacle 070 = Rear Panel Mounting Jam Nut Receptacle 06 = Straight Plug
Insert-to-Shell Grounding	G = Insert grounded to shell; available for receptacle only (for use with shielded cable) Omit = for none
Shell Size	18
RJ45 Category	5E = Cat 5E For Cat 6A applications consult factory
RJ45 Orientation	1,2,3 or 4
Material/Finish	Omit for Aluminum/Cadmium, Olive Drab (G3) F6 = Aluminum/Black Polymer Electrocoat F7 = Aluminum/Conductive Black Zinc Nickel F11 = Aluminum/Electroless Nickel

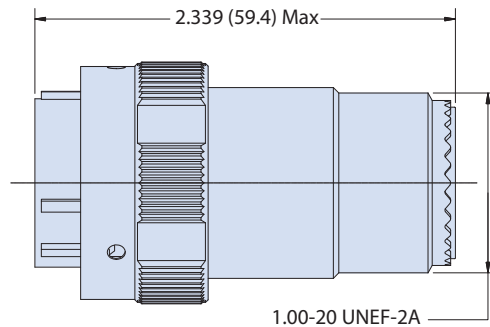
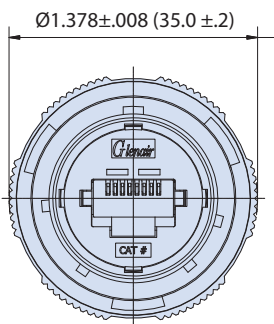
RJ45 Orientation Options



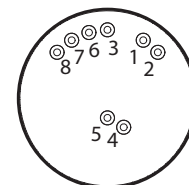
NOTES

- See Section A for recommended panel cut out dimensions

06 - PLUG WITH ACCESSORY THREADS



Crimp Layout (Code 1 Orientation Shown)



F



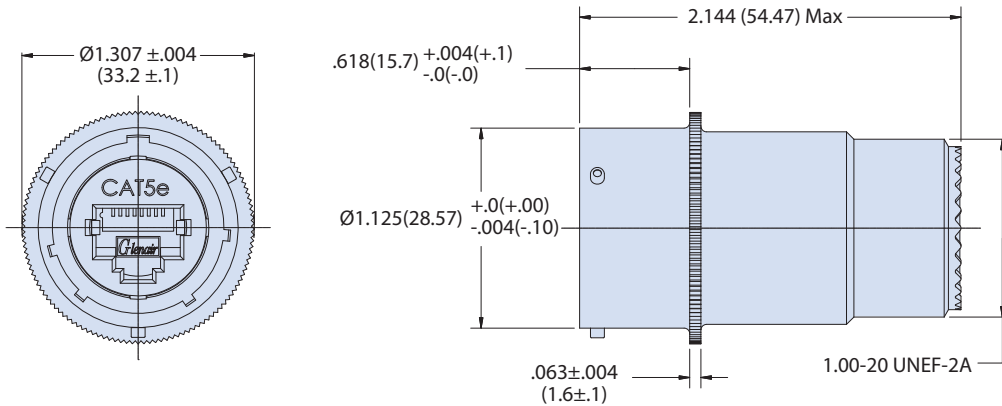
RJ45 CAT 5E ETHERNET

Series IPT (26482 Type) Bayonet Coupler

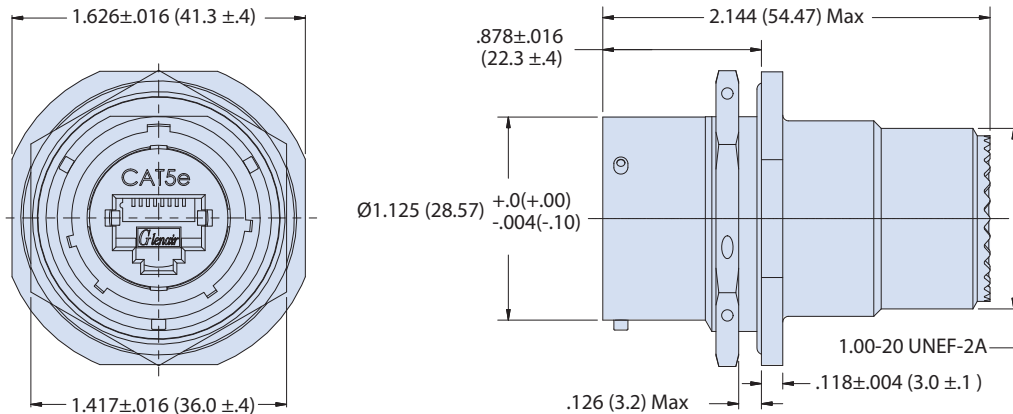


IPT301 Connector with Accessory Threads and RJ45 Plug (Plug) or Jack (Receptacle) to Crimp Removable Contacts

01 - INLINE RECEPTACLE WITH ACCESSORY THREADS



070 - REAR PANEL MOUNTING JAM NUT RECEPTACLE WITH ACCESSORY THREADS



00 - FRONT PANEL MOUNT SQUARE FLANGE RECEPTACLE WITH ACCESSORY THREADS

