

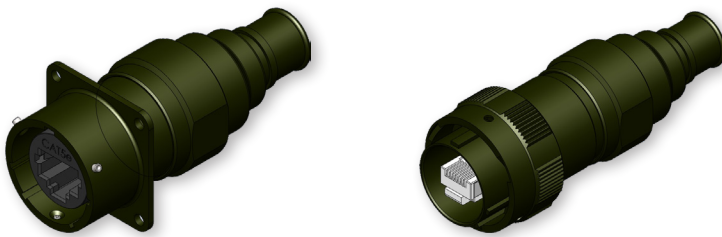


RJ45 CAT 5E ETHERNET Series IPT (26482 Type) Bayonet Coupler

IPT300H Connector and Backshell with Banding Porch and Boot Groove



How to Order	
Sample Part Number	IPT300H 00 G 18 5E 1 ZL F7
Basic Number	IPT300H
Connector Style ¹	00 = Front Panel Mount Square Flange Receptacle 01 = In-Line Receptacle 070 = Rear Panel Mount Jam Nut Receptacle 06 = Straight Plug
Insert-to-Shell Grounding	G = Insert grounded to shell; available for receptacle only and for use with shielded cable Omit = for none
Shell Size	18
RJ45 Category	5E = Cat 5E (For Cat 6A applications consult factory)
RJ45 Orientation	1,2,3 or 4
Backshell	ZL = Backshell with Banding Porch and Boot Groove
Material/Finish	Omit for Aluminum/Cadmium, Olive Drab (G3) F7 = Aluminum/Conductive Black Zinc Nickel F6 = Aluminum/Black Polymer Electrocoat F11 = Aluminum/Electroless Nickel



HEAT SHRINK BOOT

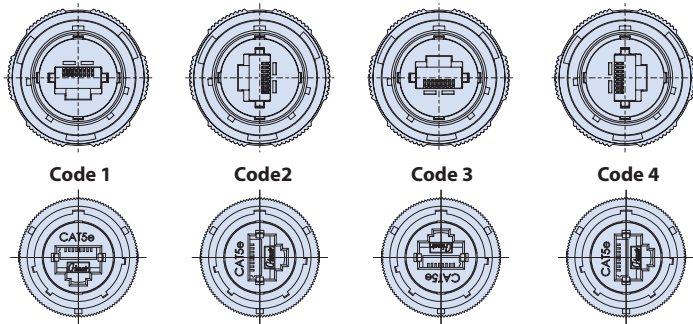


Glenair P/N : 770-004S903W2

Must be ordered separately

Type 9 flexible polyolefin short profile boots have an operating temperature range of -40°C to 100°C and provide very good resistance to fuels, oils and solvents. These boots fit most standard boot adapters for circular connectors and are specifically designed for low temperature rated CAT5e and USB cables.

RJ45 Orientation Options



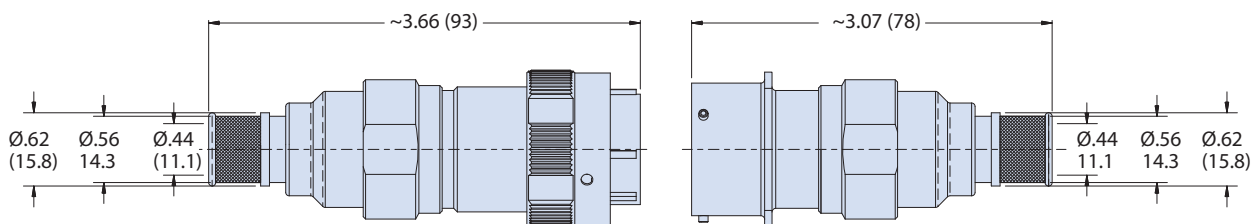
Plug

Receptacle

NOTES

- See Section A for recommended panel cut out dimensions

CONNECTOR AND BACKSHELL WITH INTEGRAL BANDING PORCH AND BOOT GROOVE





RJ45 CAT 5E ETHERNET

Series IPT (26482 Type) Bayonet Coupler

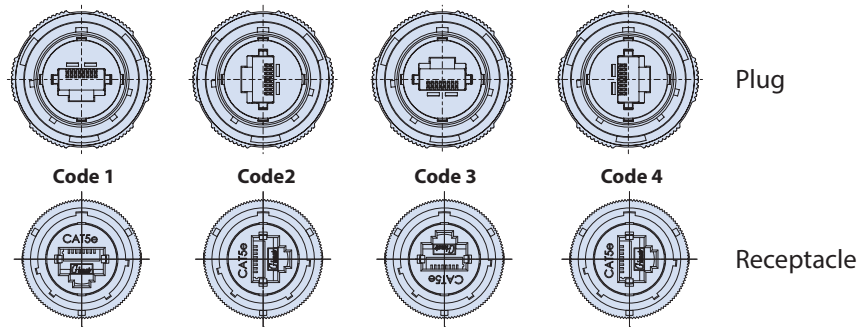


IPT300H Connector and Backshell with Cable Shield Terminated Pigtail and Fitted Shrink Boot

How to Order	
Sample Part Number	IPT300H 00 G 18 5E 1 T ZL 1 F7
Basic Number	IPT300H
Connector Style¹	00 = Front Panel Mount Square Flange Receptacle with Accessory Threads 01 = In-Line Receptacle 070 = Rear Panel Mount Jam Nut Receptacle with Accessory Threads 06 = Straight Plug
Insert-to-Shell Grounding	G = Insert grounded to shell; available for receptacle only and for use with shielded cable Omit = for none
Shell Size	18
RJ45 Category	5E = Cat 5E For Cat 6A applications consult factory
RJ45 Orientation	1,2,3 or 4
Shrink Boot	T = Shrink Boot Omit for none
Backshell	ZL = Backshell with Banding Porch and Boot Groove
Cable Length	.5 meter; order in .5 meter increments (approximately 20 inches)
Material/Finish	Omit for Aluminum/Cadmium, Olive Drab (G3) F7 = Aluminum/Conductive Black Zinc Nickel F6 = Aluminum/Black Polymer Electrocoat F11 = Aluminum/Electroless Nickel



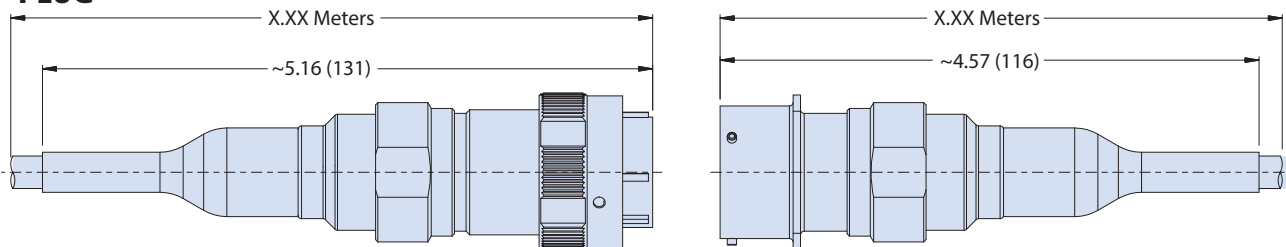
RJ45 Orientation Options



NOTES

1. See Section A recommended panel cut out dimensions

06 - PLUG



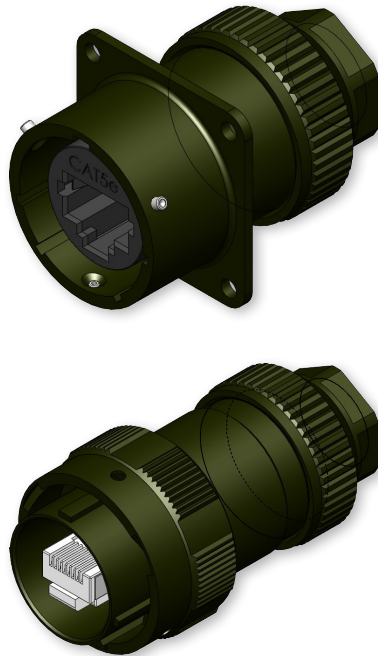
Cable to be ordered in 0.5 meter increments



RJ45 CAT 5E ETHERNET Series IPT (26482 Type) Bayonet Coupler



IPT300H Connector and Backshell with Internal Metric Thread or PG9 Thread

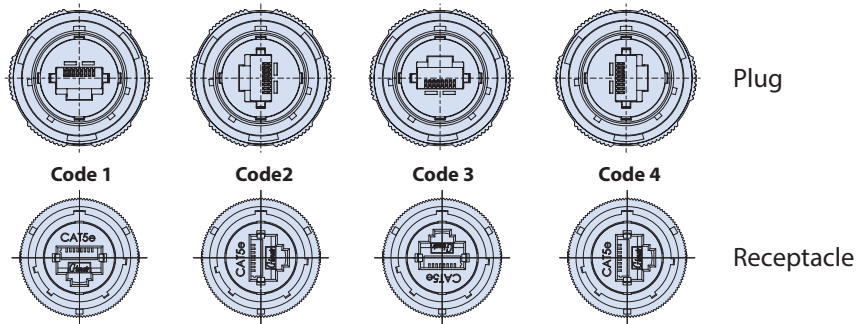


		How to Order							
Sample Part Number		IPT300H	00	G	18	5E	1	M	F7
Basic Number	IPT300H								
Connector Style ¹	00 = Front Panel Mount Square Flange Receptacle with Accessory Threads 01 = In-Line Receptacle 070 = Rear Panel Mount Jam Nut Receptacle with Accessory Threads 06 = Straight Plug								
Insert-to-Shell Grounding	G = Insert grounded to shell; available for receptacle only and for use with shielded cable Omit = for none								
Shell Size	18								
RJ45 Category	5E = Cat 5E For Cat 6A applications consult factory								
RJ45 Orientation	1,2,3 or 4								
Backshell	M = M16 x 1.5 Internal Thread PG9 = PG9 Internal Thread								
Material/Finish	Omit for Aluminum/Cadmium, Olive Drab (G3) F6 = Aluminum/Black Polymer Electrocoat F7 = Aluminum/Conductive Black Zinc Nickel F11 = Aluminum/Electroless Nickel								

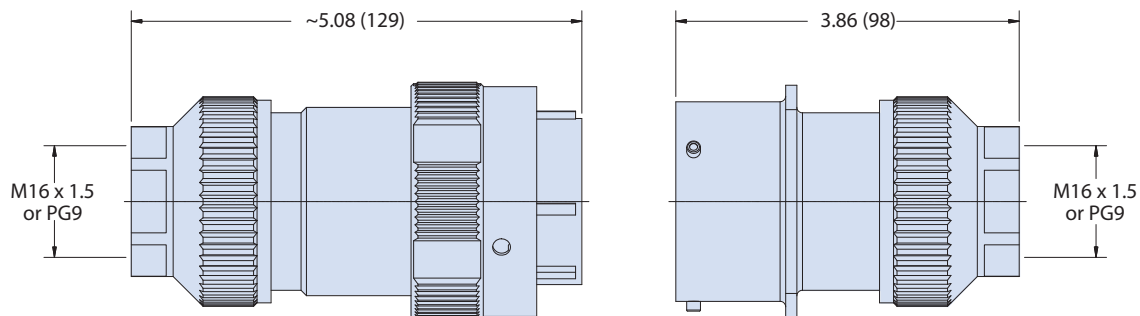
NOTES

- See Section A for recommended panel cut out dimensions

RJ45 Orientation Options



CONNECTOR AND BACKSHELL WITH M16 X 1.5 OR PG9 INTERNAL THREAD





RJ45 CAT 5E ETHERNET Series IPT (26482 Type) Bayonet Coupler

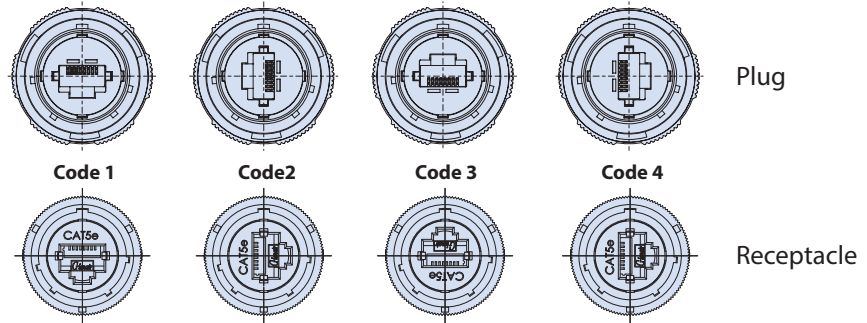


IPT300H Connector and Backshell with Cable Gland and Optional Pigtail



How to Order	
Sample Part Number	IPT300H 00 G 18 5E 1 M 0.5 F7
Basic Number	IPT300H
Connector Style¹	00 = Front Panel Mount Square Flange Receptacle with Accessory Threads 01 = In-Line Receptacle 070 = Rear Panel Mounting Jam Nut Receptacle 06 = Straight Plug
Insert-to-Shell Grounding	G = Insert grounded to shell; available for receptacle only; for use with shielded cable Omit = for none
Shell Size	18
RJ45 Category	5E = Cat 5E For Cat 6A applications consult factory
RJ45 Orientation	1, 2, 3 or 4
Metallic Cable Gland	M1, M2, MS1, MS2 (see metallic cable gland table)
Cable Length	0.5 = 0.5 meter increments; I.E. 1.5 = 1.5 meters
Material/Finish	Omit for Aluminum/Cadmium, Olive Drab (G3) F6 = Aluminum/Black Polymer Electrocoat F7 = Aluminum/Conductive Black Zinc Nickel F11 = Aluminum/Electroless Nickel

RJ45 Orientation Options



Metallic Cable Gland		
Type	Cable Range	Shield
M1	.236 - .315 (6 - 8 mm)	No
M2	.315 - .394 (8 - 10)	No
MS1	.236 - .315 (6 - 8 mm)	Yes
MS2	.315 - .394 (8 - 10)	Yes

NOTES

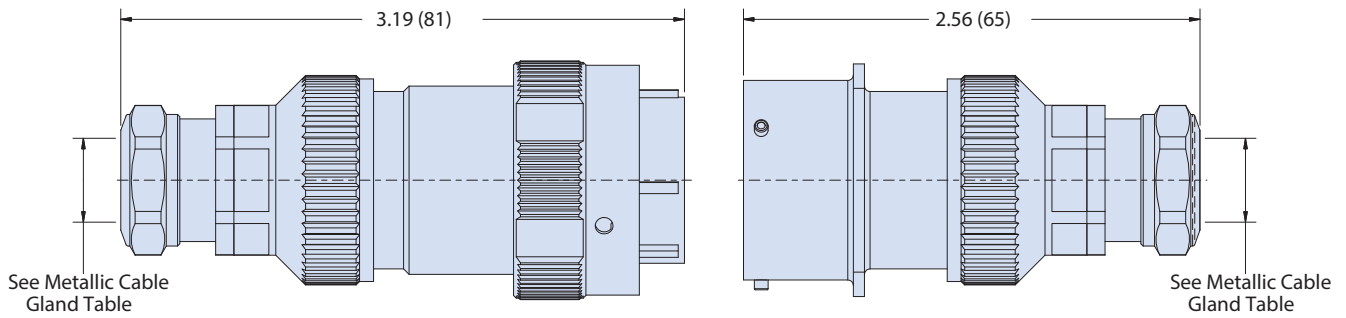
1. See Section A for recommended panel cut out dimensions



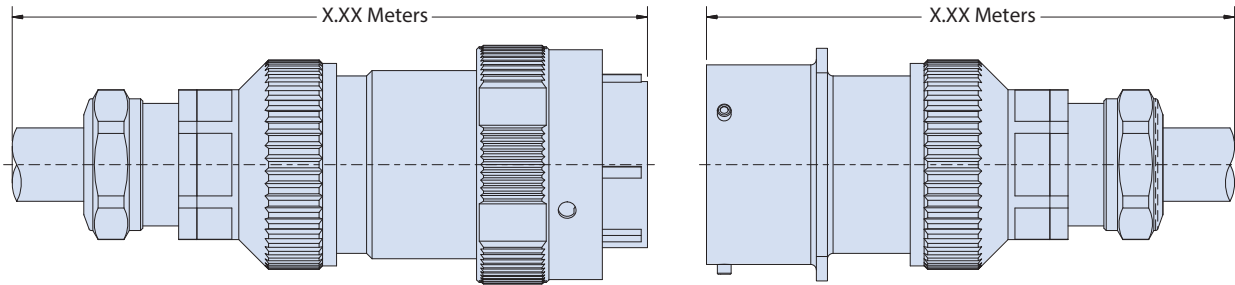
RJ45 CAT 5E ETHERNET
Series IPT (26482 Type) Bayonet Coupler
IPT300H Connector and Backshell with
Cable Gland and Optional Pigtail



PLUG AND RECEPTACLE WITHOUT PIGTAIL



PLUG AND RECEPTACLE WITH PIGTAIL



Cable to be ordered in 0.5 meter increments

