

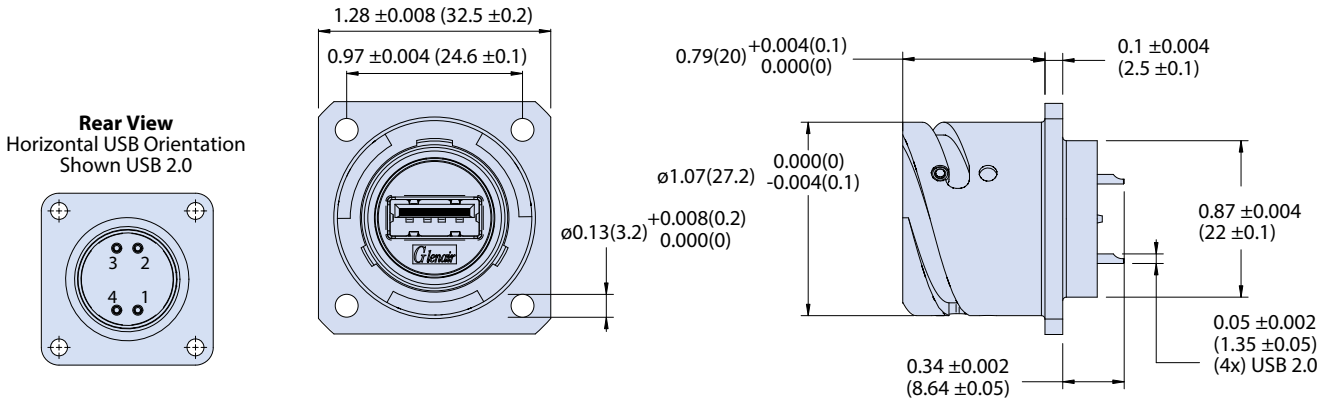


USB 2.0 TYPE A
Series ITS (5015 type) Reverse-Bayonet
ITS343 Receptacle with USB
Female Interface to Solder Cup Termination



How to Order							
Sample Part Number	ITS343	03	16	2	A	H	F6
Basic Number	ITS343						
Connector Style	03 = Rear Panel Mount Square Flange Receptacle 07 = Rear Panel Mount Jam Nut Receptacle						
Shell Size	16						
USB Performance	2 = 2.0						
USB Interface Type	A = Type A						
USB Orientation	H = Horizontal V = Vertical						
Material/Finish	Omit for Al/Cadmium, Olive Drab (G3)			F7 = Al/Conductive Black Zinc Nickel F6 = Al/Black Polymer Electrocoat F11 = Al/Electroless Nickel			

03 - REAR PANEL MOUNT SQUARE FLANGE RECEPTACLE



USB Orientation Options

HORIZONTAL

Receptacle

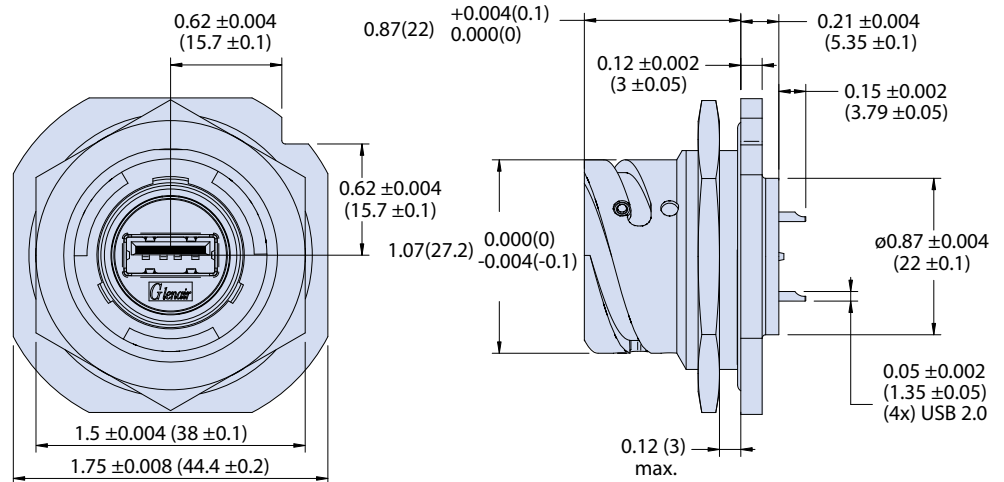


VERTICAL

Receptacle



07 - REAR PANEL MOUNT JAM NUT RECEPTACLE



NOTES

1. See Section A for panel cutout dimensions and complete finish options

