

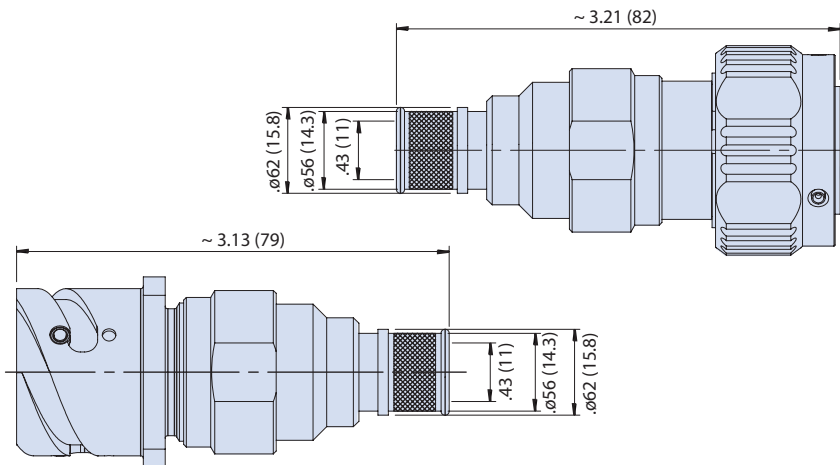


USB 2.0 TYPE A Series ITS (5015 type) Reverse-Bayonet ITS340H Connector and Backshell with Banding Porch and Shrink Boot Groove



How to Order	
Sample Part Number	ITS340H 030 16 2 A A H ZL F6
Basic Number	ITS340H
Connector Style¹	06 = Plug with Accessory Thread 01 = InLine Receptacle with Accessory Thread 070 = Rear Panel Mount Jam Nut Receptacle with Accessory Thread 030 = Rear Panel Mount Square Flange Receptacle with Accessory Thread
Shell Size	16
USB Performance	2 = 2.0
USB Front Interface Type	A = Type A
USB Rear Interface Type	A = Type A
USB Orientation	H = Horizontal V = Vertical
Backshell	ZL = With banding platform for direct attachment of cable shield and shrink boot
Material/Finish	Omit for Aluminum/Cadmium, Olive Drab (G3) F7 = Aluminum/Conductive Black Zinc Nickel F6 = Aluminum/Black Polymer Electrocoat F11 = Aluminum/Electroless Nickel

Plug and Receptacle without Pigtail



HEAT SHRINK BOOT

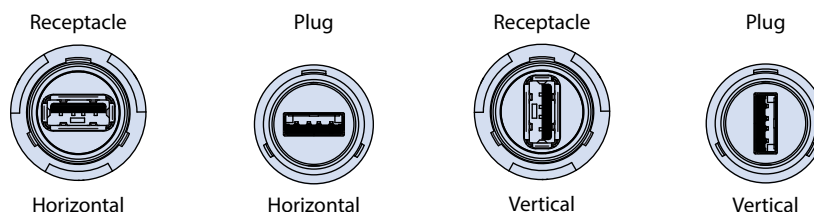


Glenair P/N : **770-004S903W2**

Must be ordered separately

Type 9 flexible polyolefin short profile boots have an operating temperature range of -40°C to 100°C and provide very good resistance to fuels, oils and solvents. These boots fit most standard boot adapters for circular connectors and are specifically designed for low temperature rated CAT5e and USB cables.

USB Orientation Options



NOTES

1. See Section A for panel cutout dimensions and complete finish options



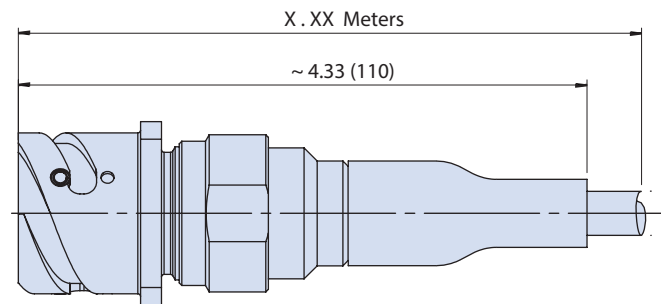
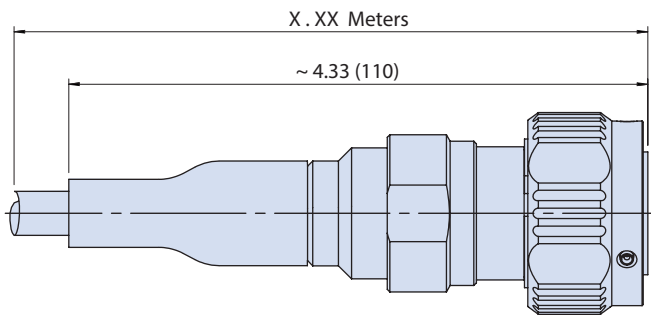
USB 2.0 TYPE A

Series ITS (5015 type) Reverse-Bayonet



ITS340H Connector and Backshell with Pigtail

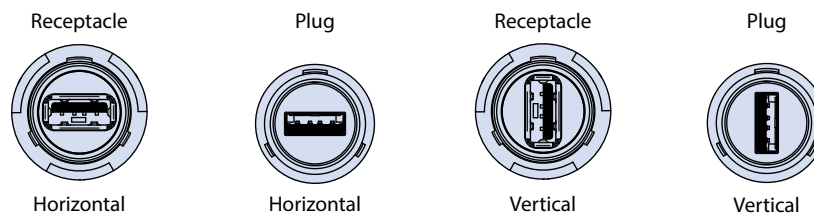
How to Order	
Sample Part Number	ITS340H 030 16 2 A A H ZL 0.5 F6
Basic Number	ITS340H
Connector Style¹	030 = Rear Panel Mount Square Flange Receptacle with Accessory Threads 01 = InLine Receptacle with Accessory Threads 070 = Rear Panel Mount Jam Nut Receptacle with Accessory Threads 06 = Straight Plug Connector with Accessory Threads
Shell Size	16
USB Performance	2 = 2.0
USB Front Interface Type	A = Type A
USB Rear Interface Type	A = Type A
USB Orientation	H = Horizontal V = Vertical
Backshell	ZL = Backshell with banding platform for direct attachment of cable shield and shrink boot pre-installed
Cable Length	0.5 = 0.5 meter pigtail (20 inches)*; See High Data Rate Cable P/N 963-012
Material/Finish	Omit for Aluminum/Cadmium, Olive Drab (G3) F7 = Aluminum/Conductive Black Zinc Nickel F6 = Aluminum/Black Polymer Electrocoat F11 = Aluminum/Electroless Nickel



*Cable length to be ordered in 0.5 mt (20 inch) increments

Plug and Receptacle with Pigtail

USB Orientation Options



NOTES

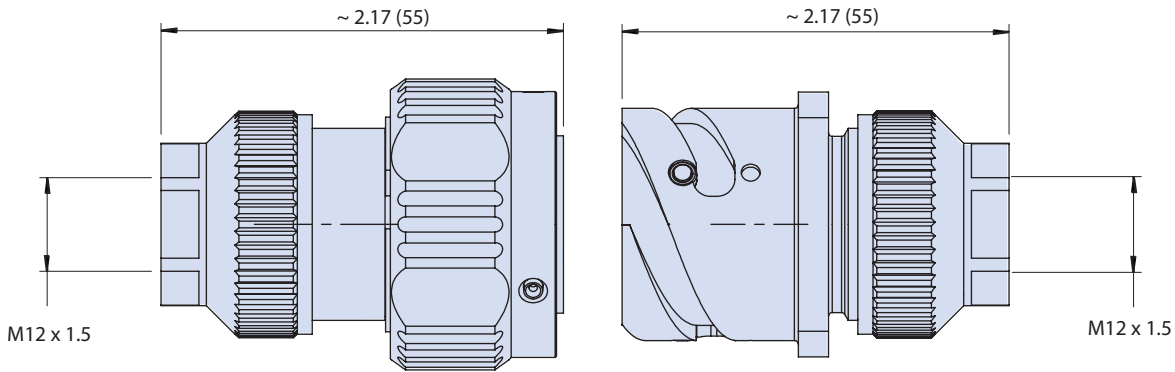
1. See Section A for panel cutout dimensions and complete finish options



USB 2.0 TYPE A
Series ITS (5015 type) Reverse-Bayonet
ITS340H Connector with
Internal Metric Thread Backshell

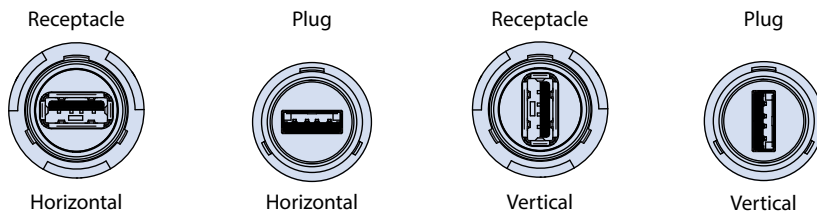


How to Order	
Sample Part Number	ITS340H 030 16 2 A A H M F6
Basic Number	ITS340H
Connector Style¹	030 = Rear Panel Mount Square Flange Receptacle with Accessory Threads 01 = InLine Receptacle with Accessory Threads 070 = Rear Panel Mount Jam Nut Receptacle with Accessory Threads 06 = Straight Plug Connector with Accessory Threads
Shell Size	16
USB Performance	2 = 2.0
USB Front Interface Type	A = Type A
USB Rear Interface Type	A = Type A
USB Orientation	H = Horizontal V = Vertical
Backshell	M = Backshell with metric thread
Material/Finish	Omit for Aluminum/Cadmium Olive Drab (G3) F7 = Aluminum/Conductive Black Zinc Nickel F6 = Aluminum/Black Polymer Electrocoat F11 = Aluminum/Electroless Nickel



Plug and Receptacle without Cable Gland
(Other Backshells option are available, please consult the factory)

USB Orientation Options



NOTES

1. See Section A for panel cutout dimensions and complete finish options





USB 2.0 TYPE A

Series ITS (5015 type) Reverse-Bayonet

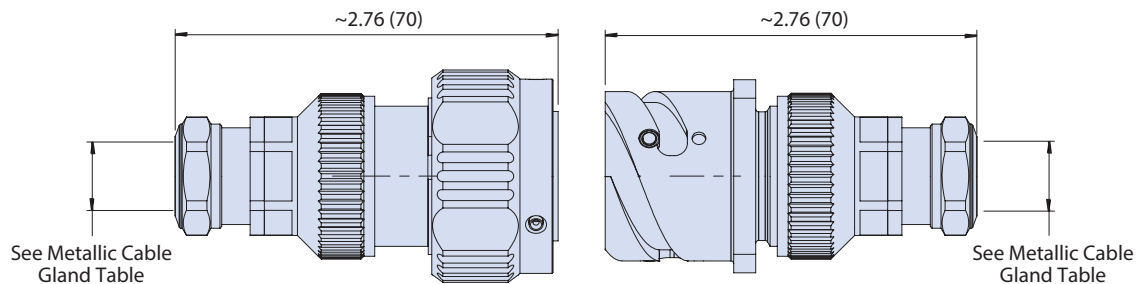


ITS340H Connector and Backshell with Metallic Cable Gland, with or without Pigtails

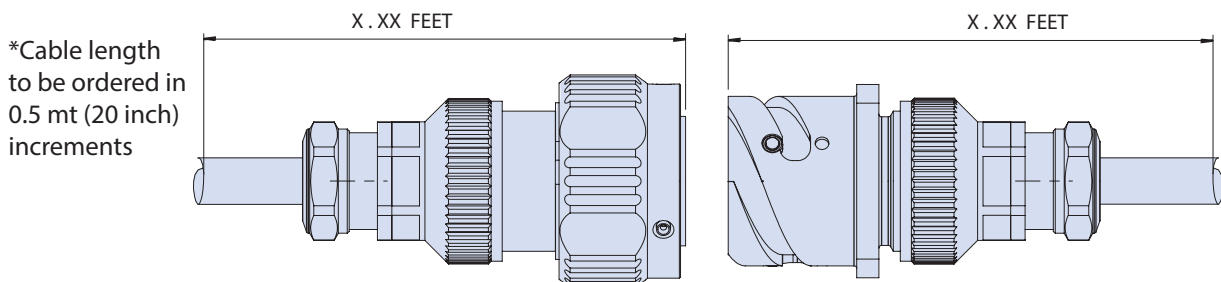
How to Order	
Sample Part Number	ITS340H 030 16 2 A A H MS1 0.5 F6
Basic Number	ITS340H
Connector Style¹	030 = Rear Panel Mount Square Flange Receptacle with Accessory Threads 01 = InLine Receptacle with Accessory Threads 070 = Rear Panel Mount Jam Nut Receptacle with Accessory Threads 06 = Straight Plug Connector with Accessory Threads
Shell Size	16
USB Performance	2 = 2.0
USB Front Interface Type	A = Type A
USB Rear Interface Type	A = Type A
USB Orientation	H = Horizontal V = Vertical
Metallic Cable Gland	See Metallic Cable Gland Table
Cable Length	0.5 = 0.5 mt. (20 inch) pigtail Omit for None
Material/Finish	Omit for Aluminum/Cadmium, Olive Drab (G3) F7 = Aluminum/Conductive Black Zinc Nickel F6 = Aluminum/Black Polymer Electrocoat F11 = Aluminum/Electroless Nickel

NOTES

- See Section A for panel cutout dimensions and complete finish options

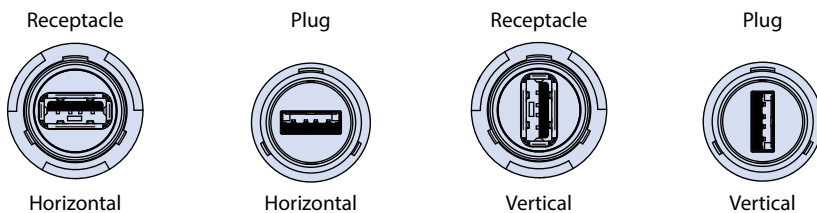


Plug and Receptacle without Pigtail



Plug and Receptacle with Pigtail

USB Orientation Options



Metallic Cable Gland		
Type	Cable Range	Shield
M1	.13 - .19 (3.5 - 5)	No
M2	.25 - .31 (6.5 - 8)	No
MS1	.17 - .23 (4.5 - 6)	Yes
MS2	.23 - .29 (6 - 7.5)	Yes