



USB 2.0 TYPE A

Series ITS (5015 type) Reverse-Bayonet

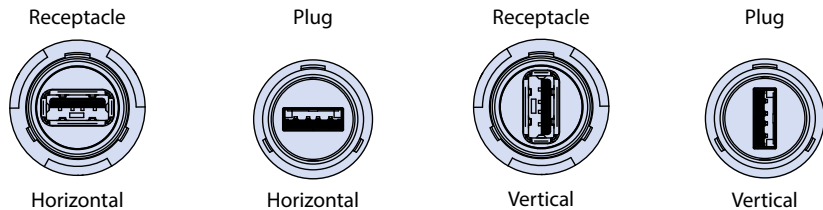


ITS340 Coupler with Accessory Threads and USB Male-to-Female (Plug) or Female-to-Female (Receptacle)

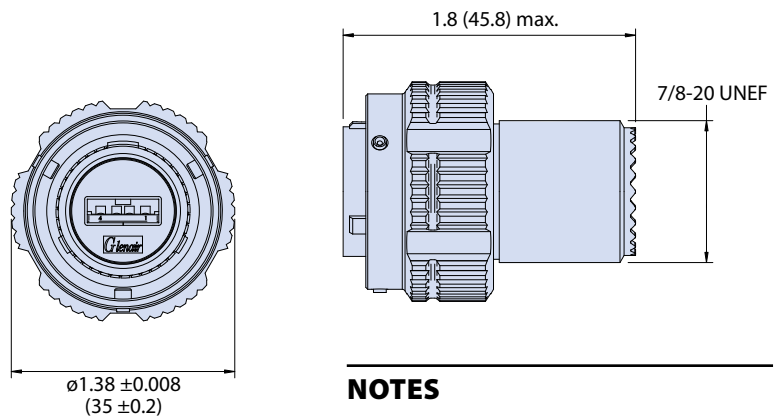


		How to Order							
Sample Part Number		ITS340	030	16	2	A	A	H	F6
Basic Number	ITS340								
Connector Style ¹	06 = Plug with Accessory Thread 01 = InLine Receptacle with Accessory Thread 070 = Rear Panel Mount Jam Nut Receptacle with Accessory Thread 030 = Rear Panel Mount Square Flange Receptacle with Accessory Thread								
Shell Size	16								
USB Performance	2 = 2.0								
USB Front Interface Type	A = Type A								
USB Rear Interface Type	A = Type A								
USB Orientation	H = Horizontal V = Vertical								
Material/Finish	Omit for Aluminum/Cadmium, Olive Drab (G3) F6 = Aluminum/Black Polymer Electrocoat F7 = Aluminum/Conductive Black Zinc Nickel F11 = Aluminum/Electroless Nickel								

USB Orientation Options



06 - PLUG WITH ACCESSORY THREADS



NOTES

1. See Section A for panel cutout dimensions and finish plating options

E



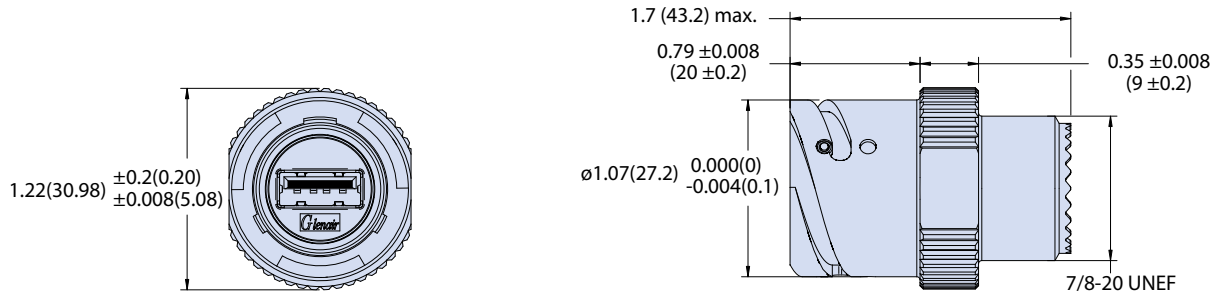
USB 2.0 TYPE A

Series ITS (5015 type) Reverse-Bayonet

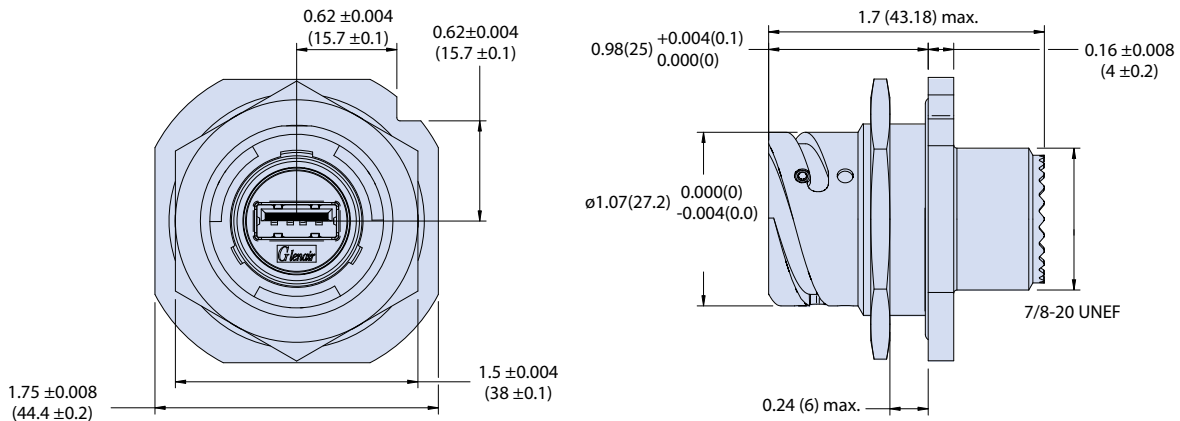


ITS340 Coupler with Accessory Threads and USB Male-to-Female (Plug) or Female-to-Female (Receptacle)

01 - INLINE RECEPTACLE WITH ACCESSORY THREADS



070 - REAR PANEL MOUNT JAM NUT RECEPTACLE WITH ACCESSORY THREADS



030 - REAR PANEL MOUNT SQUARE FLANGE RECEPTACLE WITH ACCESSORY THREADS

