



RJ45 CAT 5E ETHERNET

Series ITS (5015 type) Reverse-Bayonet



ITS330 Feedthrough Receptacle with Jack-to-Jack RJ45



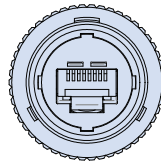
| How to Order                 |  |      |    |    |   |    |
|------------------------------|--|------|----|----|---|----|
| Sample Part Number           | ITS330   | 03PP | 18 | 5E | 1 | F7 |
| Basic Number                 | ITS330   |      |    |    |   |    |
| Connector Style <sup>1</sup> | 03PP = Rear Panel Mount Receptacle   |      |    |    |   |    |
| Shell Size                   | 18   |      |    |    |   |    |
| RJ45 Category                | 5E = Cat 5E<br>For Cat 6A applications consult factory   |      |    |    |   |    |
| RJ45 Orientation             | 1, 2, 3 or 4   |      |    |    |   |    |
| Material/Finish              | Omit for Aluminum/Cadmium, Olive Drab (G3)<br>F6 = Aluminum/Black Polymer Electrocoat<br>F7 = Aluminum/Conductive Black Zinc Nickel<br>F11 = Aluminum/Electroless Nickel |      |    |    |   |    |

**NOTES**

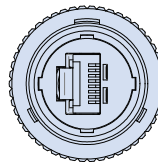
- See Section A panel cutout dimensions and complete material and finish options

**RJ45 Orientation Options for Receptacle**

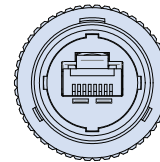
(In-line shell style shown for reference only, shell style not available)



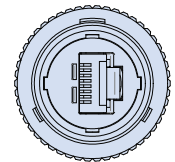
Code 1



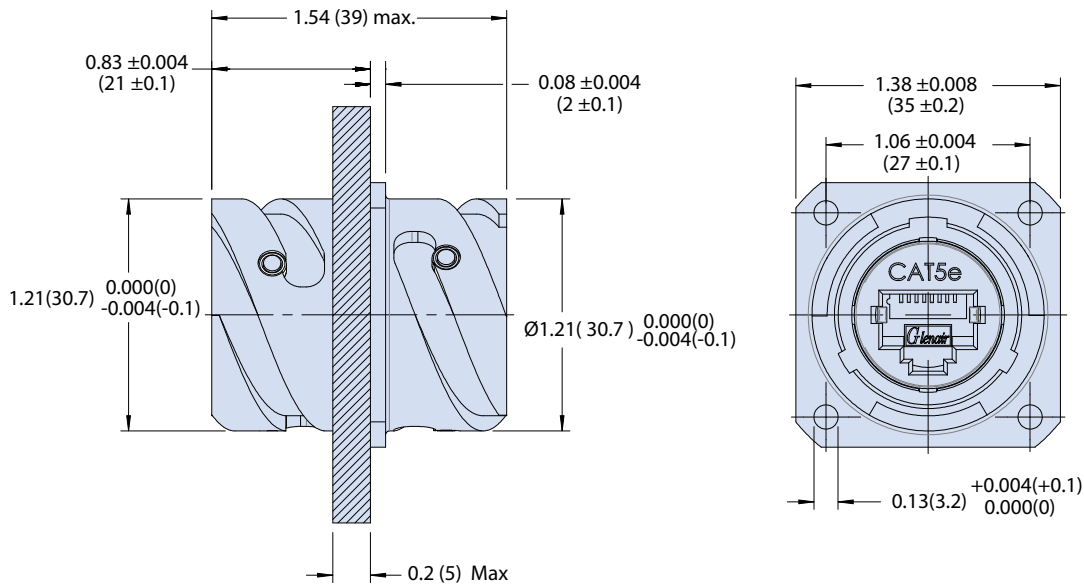
Code 2



Code 3



Code 4



D