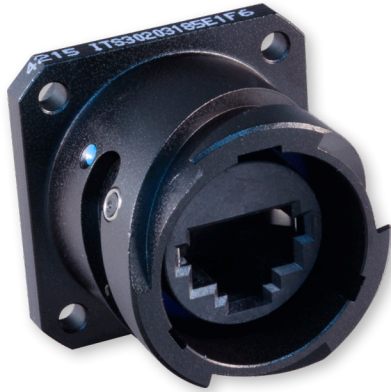




RJ45 CAT 5E ETHERNET Series ITS (5015 type) Reverse-Bayonet



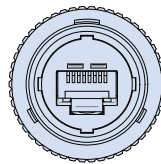
ITS302 Receptacle with RJ45 Jack to PC Tail Termination



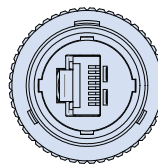
How to Order							
Sample Part Number	ITS302	03	G	18	5E	1	F7
Basic Number	ITS302						
Connector Style ¹	03 = Rear Panel Mount Square Flange Receptacle 07 = Rear Panel Mount Jam Nut Receptacle						
Insert-to-Shell Grounding	G = Insert grounded to shell (for use with shielded cable) (Use only with G3, F11 or F7 finish) Omit = for none						
Shell Size	18						
RJ45 Category	5E = Cat 5E For Cat 6A applications consult factory						
RJ45 Orientation	1, 2, 3 or 4						
Material/Finish	Omit for Aluminum/Cadmium, Olive Drab (G3) F6 = Aluminum/Black Polymer Electrocoat F7 = Aluminum/Conductive Black Zinc Nickel F11 = Aluminum/Electroless Nickel						

RJ45 Orientation Options for Receptacle

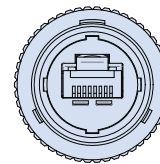
(In-line shell style shown for reference only, shell style not available)



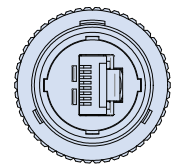
Code 1



Code 2

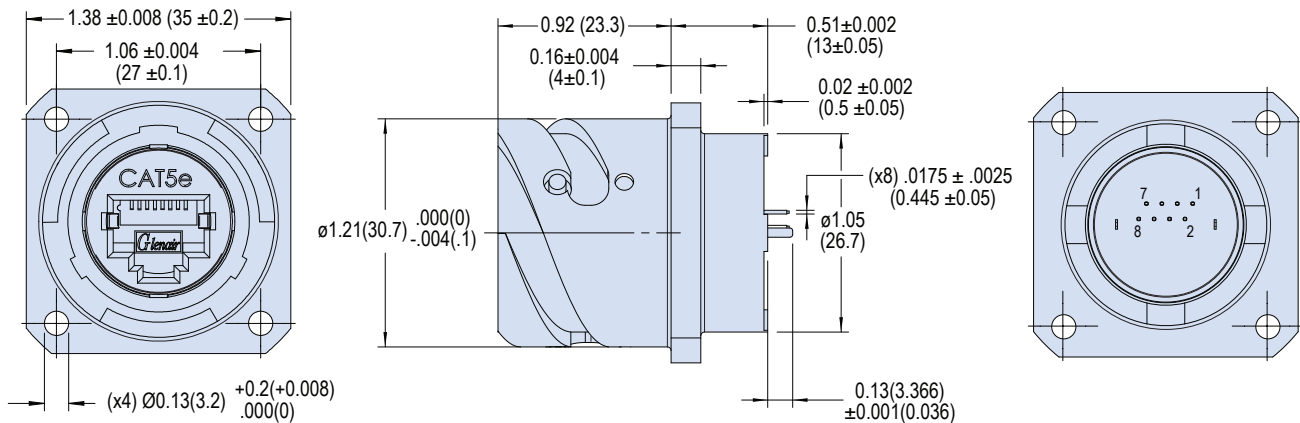


Code 3



Code 4

03 - REAR PANEL MOUNT SQUARE FLANGE RECEPTACLE

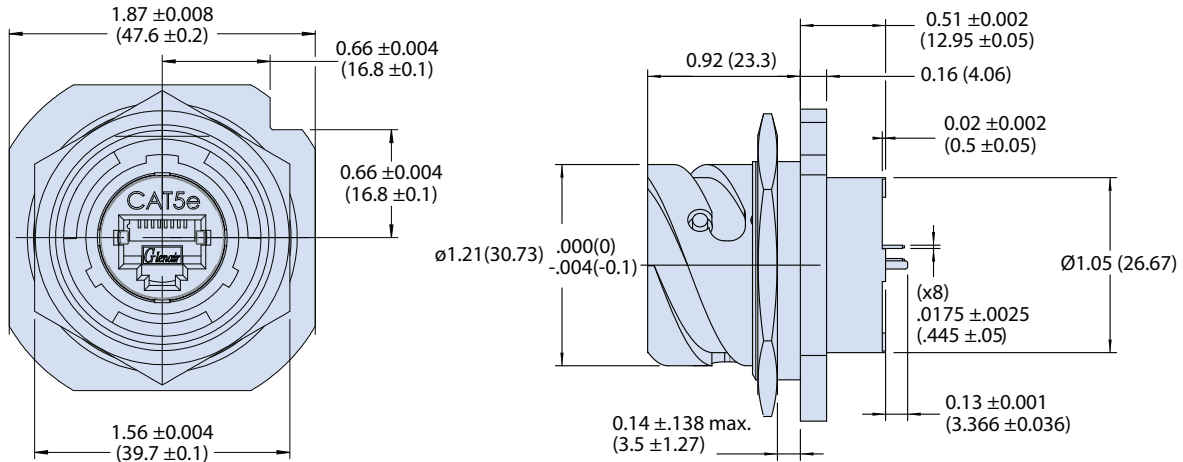




RJ45 CAT 5E ETHERNET Series ITS (5015 type) Reverse-Bayonet ITS302 Receptacle with RJ45 Jack to PC Tail Termination

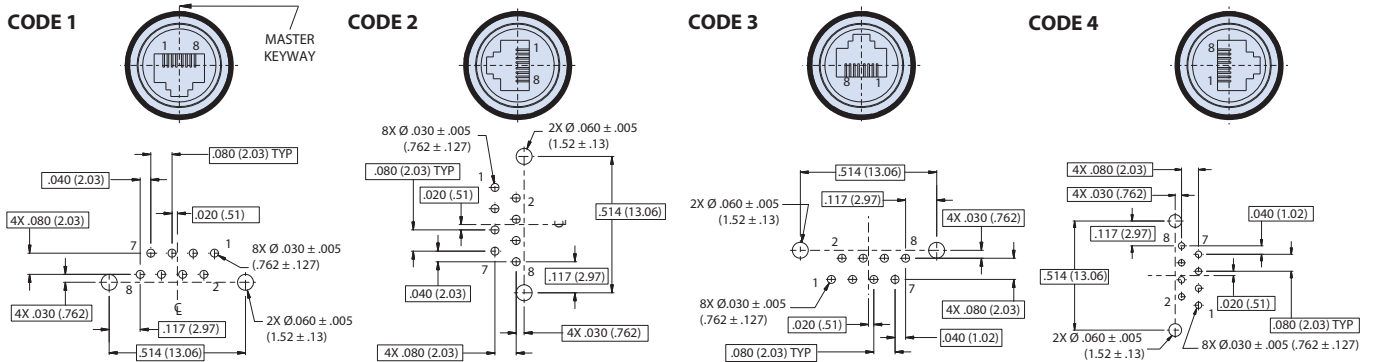


07 - REAR PANEL MOUNT JAM NUT RECEPTACLE



Receptacle RJ45 Orientation Code

Recommended PCB Layout
(Solder Side Of Board)



NOTES

1. See Section A for panel cutout dimensions, PCB footprints