

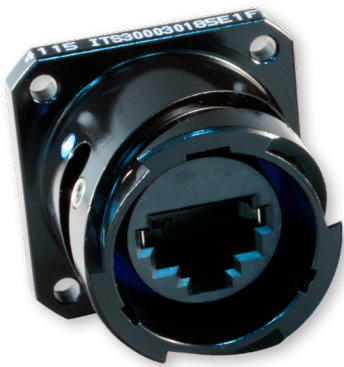


RJ45 CAT 5E ETHERNET

Series ITS (5015 type) Reverse-Bayonet

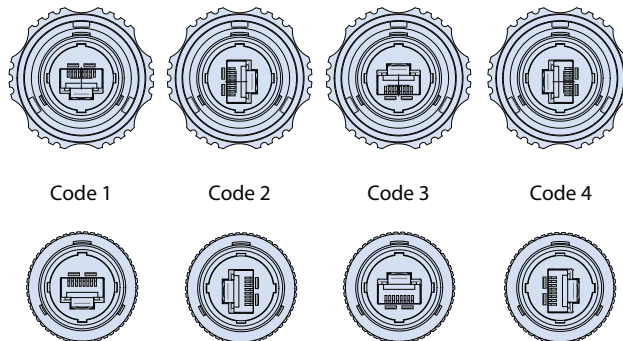


ITS300 Coupler with Accessory Threads and Plug-to-Jack (Plug) or Jack-to-Jack (Receptacle)



How to Order							
Sample Part Number	ITS300	030	G	18	5E	1	F7
Basic Number	ITS300						
Connector Style ¹	030 = Rear Panel Mount Square Flange Receptacle 01 = InLine Receptacle 070 = Rear Panel Mount Jam Nut Receptacle 06 = Straight Plug Connector						
Insert-to-Shell Grounding	G = Insert grounded to shell; available for receptacle only (for use with shielded cable) Omit = for none						
Shell Size	18						
RJ45 Category	5E = Cat 5E For Cat 6A applications consult factory						
RJ45 Orientation	1, 2, 3 or 4						
Material/Finish	Omit for Aluminum/Cadmium, Olive Drab (G3) F6 = Aluminum/Black Polymer Electrocoat F7 = Aluminum/Conductive Black Zinc Nickel F11 = Aluminum/Electroless Nickel						

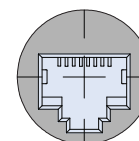
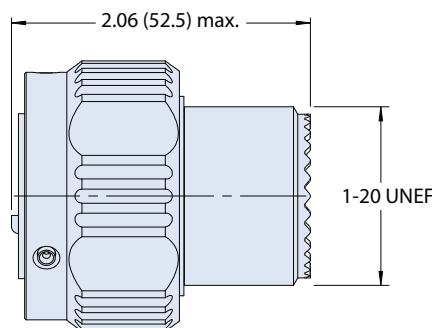
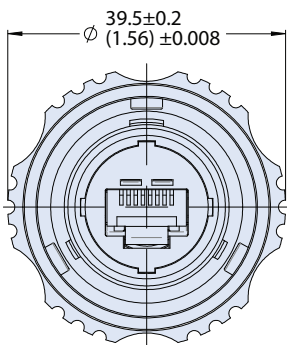
RJ45 Orientation Options



NOTES

1. See Section A for panel cutout dimensions
2. Plugs are plug/jack and receptacles are jack/jack

06 - PLUG WITH ACCESSORY THREADS



Rear Connector View with RJ45 Jack (Applies to all connector styles)



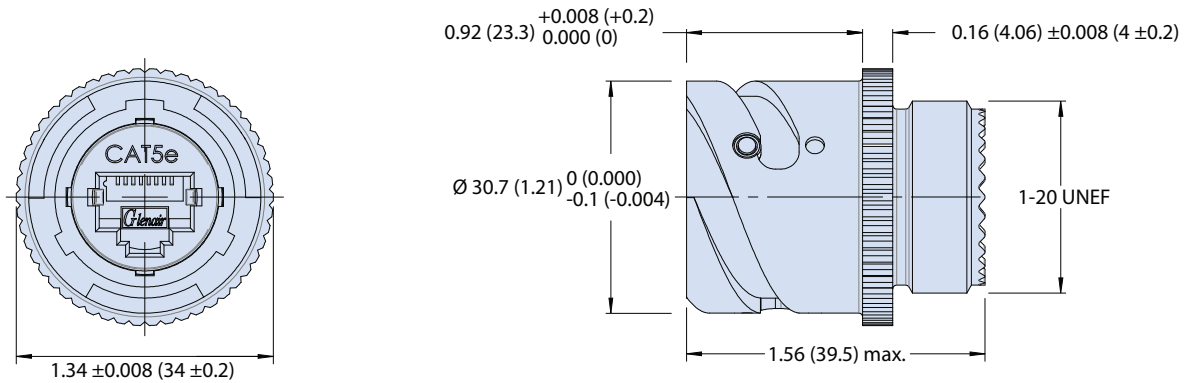
RJ45 CAT 5E ETHERNET

Series ITS (5015 type) Reverse-Bayonet

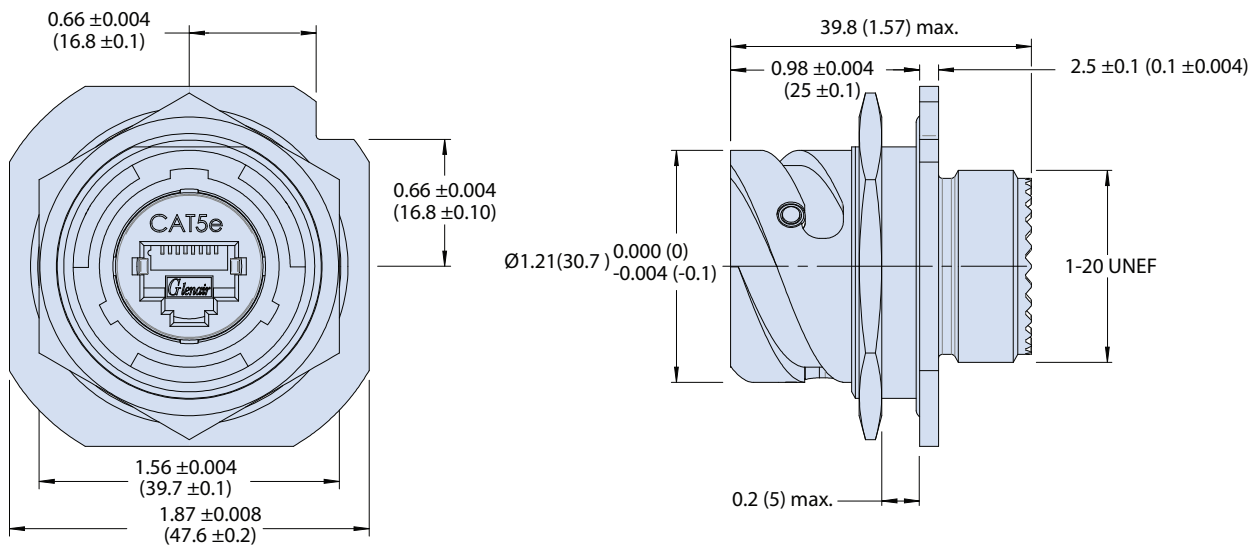


ITS300 Coupler with Accessory Threads and Plug-to-Jack (Plug) or Jack-to-Jack (Receptacle)

01 - INLINE RECEPTACLE WITH ACCESSORY THREADS



070 - REAR PANEL MOUNT JAM NUT RECEPTACLE WITH ACCESSORY THREADS



030 - REAR PANEL MOUNT SQUARE FLANGE RECEPTACLE WITH ACCESSORY THREADS

