



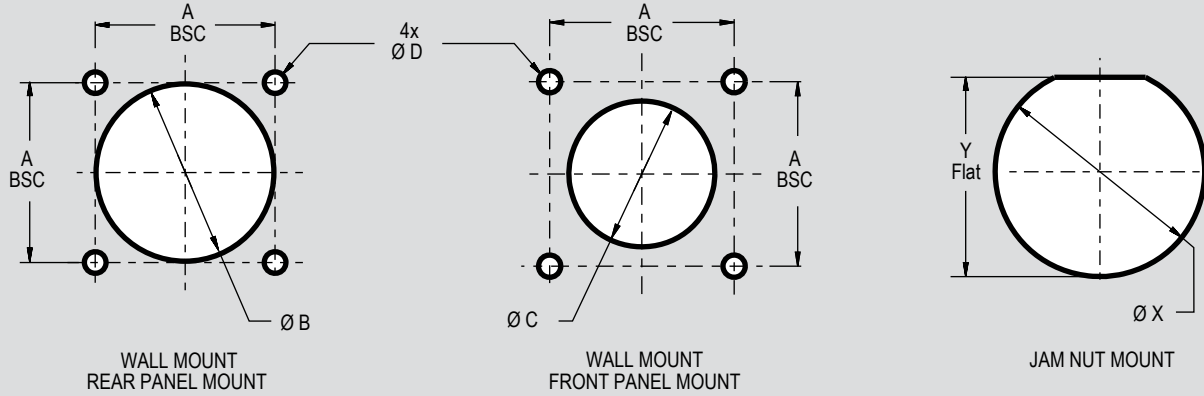
RJ45 CAT 5E ETHERNET

MIL-DTL-38999 Series III Type Connectors



Panel Cut-out Dimensions

**MIL-DTL-38999 TYPE, SUPERSEAL RJ45 PANEL CUTOUTS FOR SHELL SIZE 17 AND 19**



B

Panel Cut-Out Dimensions						
Shell Size	A Bsc	B Dia Min	C Dia Min	D Holes	X Dia	Y Flat
17	1.062 (26.97)	1.219 (30.96)	1.016 (25.81)	.133 (3.38)	1.270 (32.26)	1.210 (30.73)
				.123 (3.12)	1.260 (32.00)	1.208 (30.68)
19	1.156 (29.36)	1.297 (32.94)	1.141 (28.98)	.123 (3.12)	1.395 (35.43)	1.335 (33.91)
					1.385 (35.18)	1.325 (33.66)