



RJ45 CAT 5E/6A ETHERNET

MIL-DTL-38999 Series III Type Connectors



233-309 Hermetic RJ45 Feed-thru Connector with Crimp Removable Contacts

Material and Finish	
Z1	Stainless Steel/Passivate
ZL	Stainless Steel/Electro-deposited Nickel

Connector Style ¹	
00	Wall mount receptacle with slotted hole ²
07	Jam nut, rear panel mount receptacle
D0	Wall mount receptacle with round holes
CM	Wall mount receptacle with metric clinch nuts

NOTES

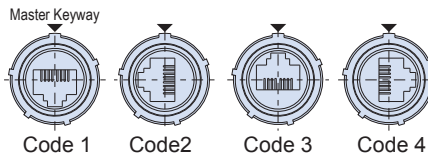
- See Section A for alternate key/keyway positions and panel cutout dimensions
- Front panel mount only
- Meets IP67 in unmated condition, IP68 mated
- Connector and contacts shall meet general requirements of MIL-DTL-38999, Series III. RJ45 connector meets TIA 568B standard.
- RJ45 Jack Specifications:
 - Shielded Cat5e RJ45 (grounded to PC board)
 - Wiring: straight through
 - RoHS compliant
 - Electrical: current rating: 1.5 Amp
 - D.W.V.: 1000 VDC (700 VAC)
 - Operating temperature range: -40°C to +120°C
- Hermeticity: 1×10^{-7} sccHe/sec @ 1 atmosphere differential
- Material/finishes:
 - Shell, jam nut: 300 series cres / passivate or plate
 - Insulator, hermetic: glass
 - Insulators: high grade rigid dielectric
 - Contacts: copper alloy/gold plate
 - Seals: fluorosilicone
 - RJ45 coupler housing: ULV94V-0 compliant ABS or PPS

Part Number Development							
Sample Part Number	233-309	Z1	00	-	17	5H	N 1
Basic Number	233-309						
Finish	See Material and Finish table						
Connector Style ¹	See Connector Style table						
Shielding	- = Inline shielded RJ45 G = Inline shielded and grounded to the shells						
Shell Size	17 and 19						
RJ45 Category	5H = CAT 5e						
Alternate Key Position ¹	Per MIL-DTL-38999 A, B, C, D, E, N = Normal						
RJ45 Orientation	1, 2, 3, or 4						

Jam Nut Dimensions								
Shell Size	Ø K		L		M Flat		R	
	in	mm	in	mm	in	mm	in	mm
17	1.764	44.81	1.642	41.71	1.191	30.25	.122	3.10
	1.740	44.20	1.610	40.89	1.181	30.00	.083	2.11
19	1.949	49.50	1.827	46.41	1.316	33.43	.153	3.89
	1.925	48.90	1.795	45.59	1.306	33.17	.114	2.90

Wall Mount Receptacle Dimensions												
Shell Size	B Sq		C Bsc		D Bsc ²		E		F		Ø H Holes	
	In	mm	In	mm	In	mm	In	mm	In	mm	In	mm
17	1.323	33.60	1.062	26.97	.969	24.61	.136	3.45	.202	5.13	0.136	3.45
	1.299	32.99										
19	1.449	36.80	1.156	29.36	1.062	26.97	.120	3.05	.186	4.72	0.120	3.05
	1.425	36.20										

RJ45 Orientation Options (Receptacle Face)



All external dimensions, features, etc. compliant with D38999/20, /24, &/26. Consult factory for additional information.

Jam Nut and Wall Mount Thread Dimensions			
Shell Size	A Thread	G Thread	N Thread (Jam-Nut Only)
17	1.1875-.1P-.3L-TS-2A	M25 x 1.0-6g 0.100R	M32 x 1.0-6g 0.100R
19	1.2500-.1P-.3L-TS-2A	M28x 1.0-6g 0.100R	M35 x 1.0-6g 0.100R

Jam Nut Dimensions					
Shell Size	Ø K	L	M Flat	R	Ø S
17	1.764 (44.81)	1.642 (41.71)	1.191 (30.25)	.122 (3.10)	1.275 (32.39)
	1.740 (44.20)	1.610 (40.89)	1.181 (30.00)	.083 (2.11)	
19	1.949 (49.50)	1.827 (46.41)	1.316 (33.43)	.153 (3.89)	1.337 (33.96)
	1.925 (48.90)	1.795 (45.59)	1.306 (33.17)	.114 (2.90)	

Wall Mount Receptacle Dimensions						
Shell Size	B Sq	C BSC	D BSC	E	F	Ø H Holes
17	1.323 (33.60)	1.062 (26.97)	.969 (24.61)	.136 (3.45)	.202 (5.13)	.136 (3.45)
	1.299 (32.99)					
19	1.449 (36.80)	1.156 (29.36)	1.062 (26.97)	.120 (3.05)	.186 (4.72)	.120 (3.05)
	1.425 (36.20)					



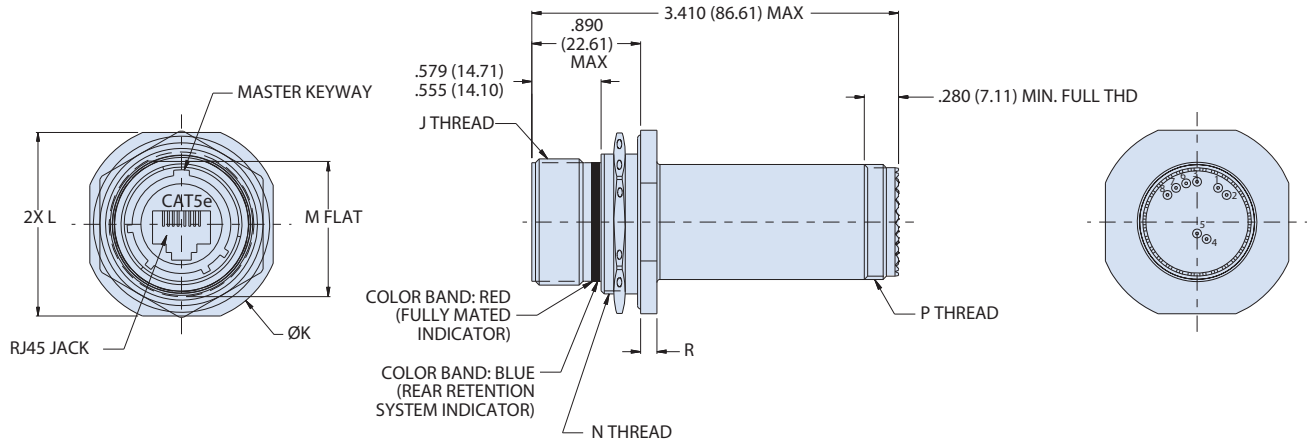
RJ45 CAT 5E/6A ETHERNET

MIL-DTL-38999 Series III Type Connectors



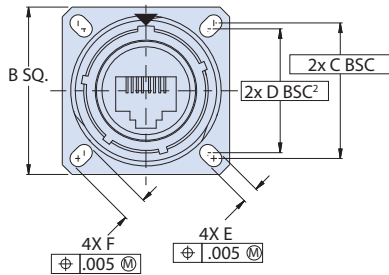
233-309 Hermetic RJ45 Feed-thru Connector with Crimp Removable Contacts

07 - REAR PANEL MOUNT, JAM NUT FEED-THROUGH CONNECTORS

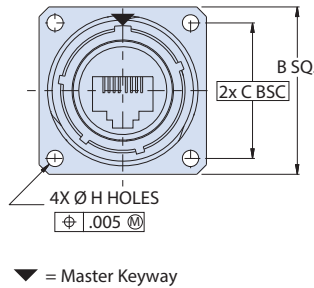


00, D0 AND CM - WALL MOUNT FEED-THRU CONNECTORS

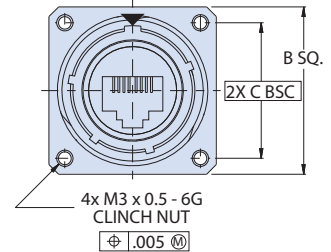
00 - Wall Mount Receptacle with Slotted Holes (Mating Face)



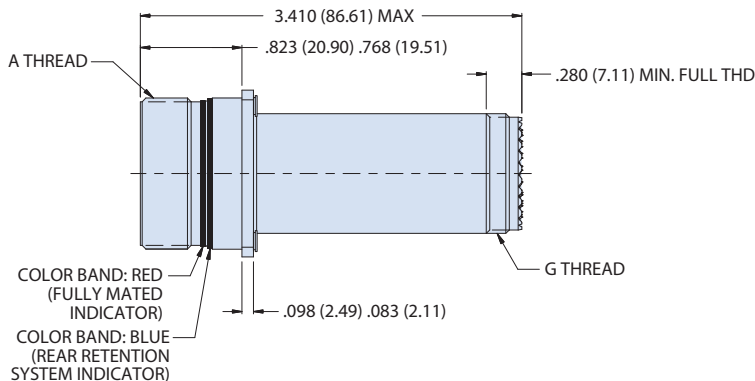
D0 - Wall Mount Receptacle With Round Holes (Mating Face)



CM - Wall Mount Receptacle With Metric Clinch Nuts (Mating Face)



00, D0, CM - Wall Mount Receptacle



D0 - Wall Mount Receptacle Shown for Contact Termination Positions Only

