



RJ45 CAT 5E ETHERNET

MIL-DTL-38999 Series III Type Connectors



233-304 Plug and receptacle adapter with accessory thread

B

Part Number Development										
Sample Part Number	233-304	NF	00	17	G	35	P	5H	N	T
Basic Number	233-304									
Finish	See Material and Finish table									
Connector Style¹	See Connector Style table									
Shell Size	17⁶ consult factory for other shell sizes									
Insert-to-Shell Grounding²	– = Inline shielded RJ45 insert G = Shielded and grounded to shell									
Insert Arrangement	Per MIL-STD-1560; 17-26 or 17-35⁶									
Contact Style	P = Pin S = Socket									
RJ45 Category	5H = CAT 5e For Cat 6A applications consult factory									
Alternate Key Position¹	Per MIL-DTL-38999 A, B, C, D, E, N = Normal									
Shrink Boot	T = Part No. 770-028 (Omit for None)									

NOTES

1. See Section A for alternate key/keyway positions and panel cutout dimensions
2. G option is inline shielded and grounded to shell, available for receptacle only
3. Connector style 00 with slotted hole is front panel mount only
4. Meets IP67 in unmated condition, IP68 mated
5. Both plug and receptacle connectors have rear RJ45 jack
6. Consult factory for alternate insert arrangements

Material and Finish	
NF	Aluminum/Cadmium Olive Drab
ME	Aluminum/Electroless Nickel
MT	Aluminum/Nickel PTFE
ZR	Aluminum/Black Zinc-Nickel

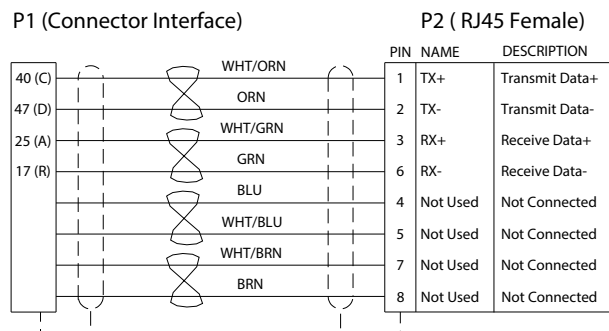
Connector Style ¹	
00	Wall mount receptacle with slotted holes ³
05	Inline Receptacle
07	rear panel mount, jam nut receptacle
D0	Wall mount receptacle with round holes
G6	plug
CM	Wall mount receptacle with metric clinch nuts

Thread Dimensions			
Shell Size	A Thread	G Thread	N Thread
17	1.1875-.1P-.3L-TS-2A	M25 x 1.0-6g 0.100R	M32 x 1.0-6g 0.100R
19	1.2500-.1P-.3L-TS-2A	M28x 1.0-6g 0.100R	M35 x 1.0-6g 0.100R

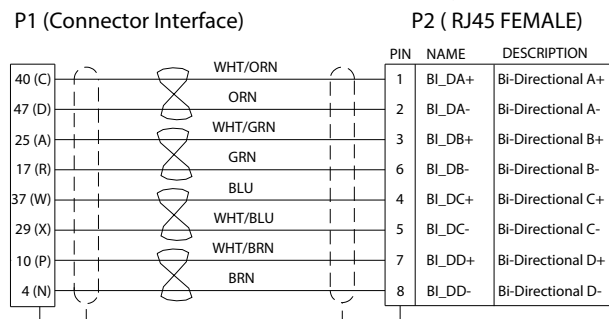
Wall Mount Receptacle Dimensions												
Shell Size	B Sq		C BSC		D BSC		E		F		Ø H Holes	
	in	mm	in	mm	in	mm	in	mm	in	mm	in	mm
17	1.323	33.60	1.062	26.97	.969	24.61	.136	3.45	.202	5.13	.136	3.45
	1.299	32.99										
19	1.449	36.80	1.156	29.36	1.062	26.97	.120	3.05	.186	4.72	.120	3.05
	1.425	36.20										

Jam Nut and Inline Dimensions										
Shell Size	Ø K		L		M Flat		R		S	
	in	mm	in	mm	in	mm	in	mm	in	mm
17	1.764	44.81	1.642	41.71	1.191	30.25	.122	3.10	1.406	35.71
	1.740	44.20	1.610	40.89	1.181	30.00	.083	2.11		
19	1.949	49.50	1.827	46.41	1.316	33.43	.153	3.89	1.516	38.51
	1.925	48.90	1.795	45.59	1.306	33.17	.114	2.90		

Wiring Diagram for Ethernet 10base-T & 100 Base-TX 17-35 or (17-26 in parenthesis) Arrangement



Wiring Diagram for Ethernet 1000base-T (Gigabit Ethernet) 17-35 or (17-26 in parenthesis) Arrangement



Color Codes Per EIA/TIA 568B



RJ45 CAT 5E ETHERNET

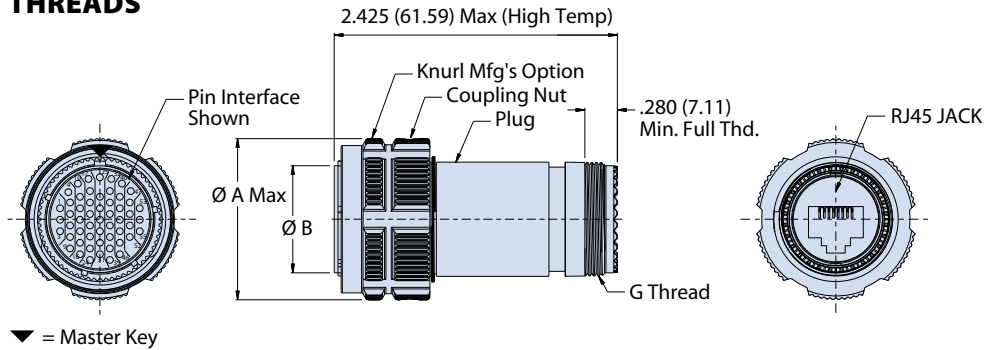
MIL-DTL-38999 Series III Type Connectors



233-304 Plug and receptacle adapter with accessory thread

G6 - PLUG WITH ACCESSORY THREADS

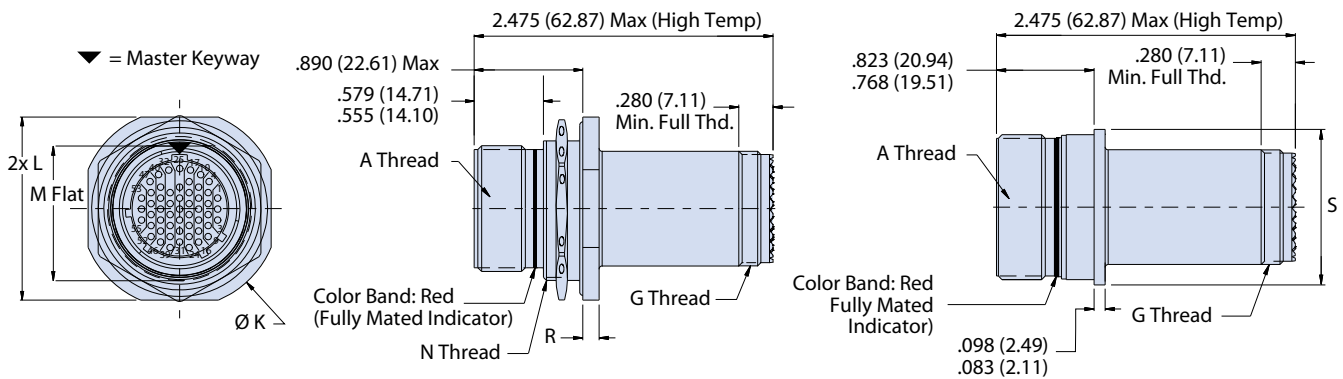
Plug Dimensions				
Shell Size	Ø A		Ø B	
	in	mm	in	mm
17	1.406	35.71	.928 .922	23.57 23.42
19	1.516	38.51	1.033 1.027	26.24 26.09



07 - REAR PANEL MOUNT, JAM NUT AND 05 - INLINE RECEPTACLE WITH ACCESSORY THREADS

Jam Nut Receptacle

Inline Receptacle (side view only)

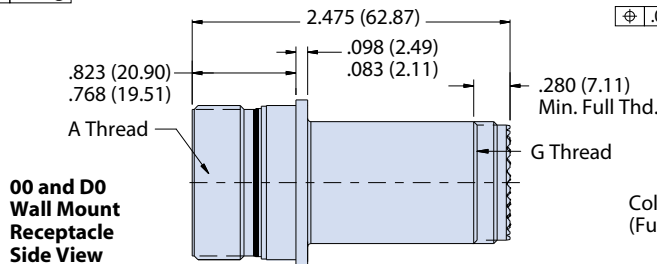
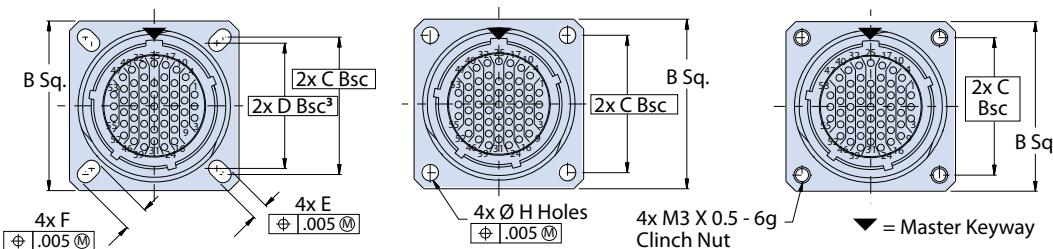


00, D0 AND CM - WALL MOUNT RECEPTACLES WITH ACCESSORY THREADS

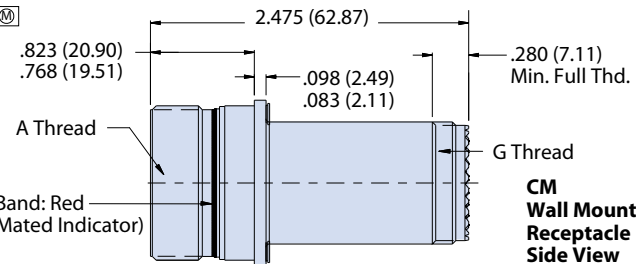
00 - Wall Mount Receptacle with Slotted Holes (Mating Face)

D0 - Wall Mount Receptacle With Round Holes (Mating Face)

CM - Wall Mount Receptacle With Metric Clinch Nuts (Mating Face)



00 and D0 Wall Mount Receptacle Side View



CM Wall Mount Receptacle Side View

All external dimensions, features, etc. compliant with D38999/20, /24, &/26. Consult factory for additional information.

