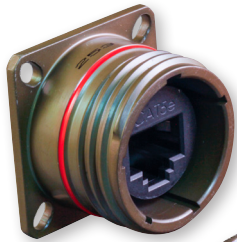
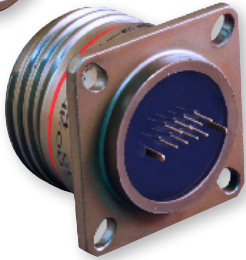




RJ45 CAT 5E/6A ETHERNET MIL-DTL-38999 Series III Type Connectors 233-302 Receptacle with PC tails



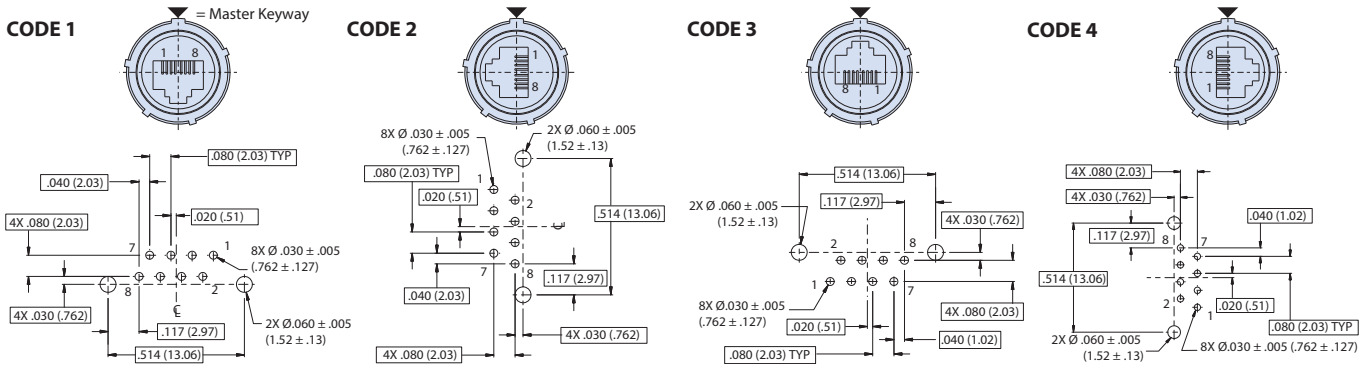
Receptacle front View



Receptacle rear View

Part Number Development								
Sample Part Number	233-302	NF	00	G	17	5H	N	1
Basic Number	233-302							
Finish	See Material and Finish table							
Connector Style ¹	See Connector Style table							
Insert-to-Shell Grounding	- = Inline shielded RJ45 insert G = Shielded and grounded to shell ²							
Shell Size	17 or 19							
RJ45 Category	5H = CAT 5e For Cat 6A applications consult factory							
Alternate Key Position ¹	Per MIL-DTL-38999 A, B, C, D, E, N = Normal							
RJ45 Orientation	1, 2, 3, or 4							

RJ45 ORIENTATION OPTIONS AND PCB LAYOUT



Connector Style ¹	
00	Wall mount receptacle with slotted holes
07	rear panel mount, jam nut receptacle
D0	Wall mount receptacle with round holes
CM	Wall mount receptacle with metric clinch nuts

Material and Finish	
NF	Aluminum/Cadmium, Olive Drab
ME	Aluminum/Electroless Nickel
MT	Aluminum/Nickel PTFE
ZR	Aluminum/Black Zinc-Nickel

Jam Nut Dimensions								
Shell Size	Dia K		L		M Flat		P	
	in	mm	in	mm	in	mm	in	mm
17	1.764	44.81	1.642	41.71	1.191	30.25	.090	2.29
	1.740	44.20	1.610	40.89	1.181	30.00	.080	2.03
19	1.949	49.50	1.827	46.41	1.316	33.43	.150	3.81
	1.925	48.90	1.795	45.59	1.306	33.17	.140	3.56

Wall Mount Receptacle Dimensions														
Shell Size	B Sq		C BSC		D BSC ³		E		F		G1		Ø H Holes	
	In	mm	In	mm	In	mm	In	mm	In	mm	In	mm	In	mm
17	1.323	33.60	1.062	26.97	.969	24.61	.136	3.45	.202	5.13	.122	3.10	.083	2.11
	1.299	32.99	1.062	26.97	.969	24.61	.136	3.45	.202	5.13	.122	3.10	.083	2.11
19	1.449	36.80	1.156	29.36	1.062	26.97	.120	3.05	.186	4.72	.153	3.89	.114	2.90
	1.425	36.20	1.156	29.36	1.062	26.97	.120	3.05	.186	4.72	.153	3.89	.114	2.90

NOTES

- See Section A for alternate key/keyway positions and panel cutout dimensions
- G option is inline shielded and grounded to shell, available for receptacle only
- Front panel mount only
- Meets IP67 in unmated condition, IP68 mated
- Receptacle connector has RJ45 jack



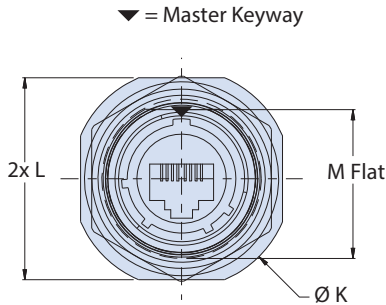
RJ45 CAT 5E/6A ETHERNET

MIL-DTL-38999 Series III Type Connectors

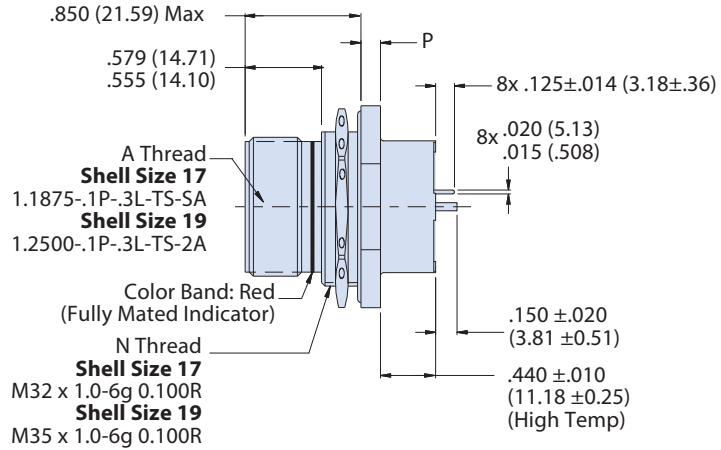


233-302 Receptacle with PC tails

07 - REAR PANEL MOUNT, JAM NUT RECEPTACLE

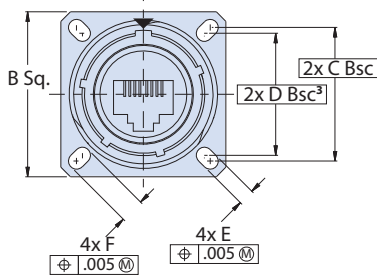


All external dimensions, features, etc. compliant with D38999/20, /24, &/26. Consult factory for additional information.

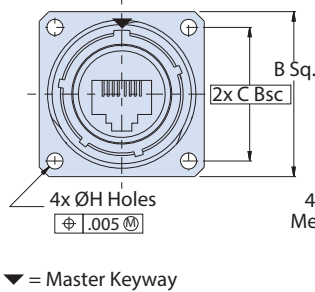


00, D0 AND CM - WALL MOUNT RECEPTACLES

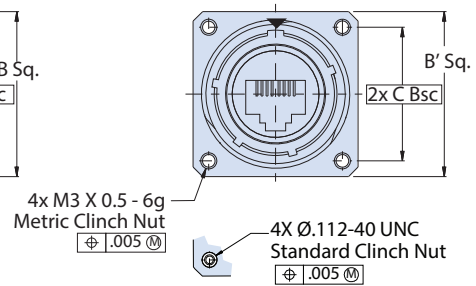
00 - Wall Mount Receptacle with Slotted Holes (Mating Face)



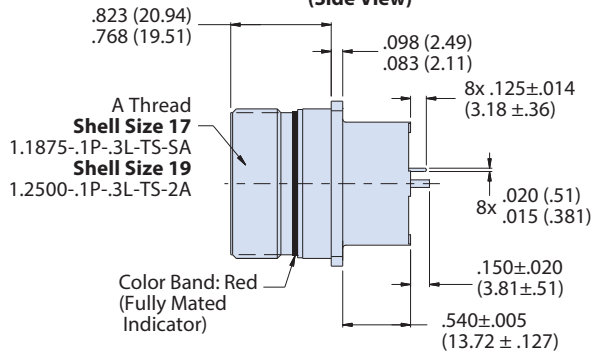
D0 - Wall Mount Receptacle with Round Holes (Mating Face)



CM & CS - Wall Mount Receptacle with Metric/Std Clinch Nuts (Mating Face)



00 and D0 - Wall Mount Receptacle (Side View)



CS and CM - Wall Mount Receptacle (Side View)

