



RJ45 CAT 5E/6A ETHERNET MIL-DTL-38999 Series III Type Connectors 233-300 Coupler with accessory threads



**Plug
Front View**



**Receptacle
Front View**



**Receptacle
Rear View**

Material and Finish¹

NF	Aluminum/Cadmium, Olive Drab
ME	Aluminum/Electroless Nickel
MT	Aluminum/Nickel PTFE
ZR	Aluminum/Black Zinc-Nickel

NOTES

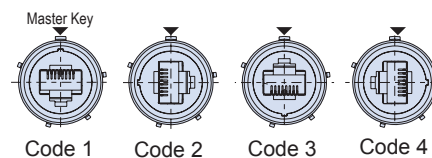
1. See Section A for alternate key/keyway positions and panel cutout dimensions
2. G option is inline shielded and grounded to shell, available for receptacle only
3. Front panel mount only
4. Meets IP67 in unmated condition, IP68 mated
5. For shrink boot see part number 770-028
6. Receptacle has RJ45 jack. Plug has RJ45 plug to jack

Part Number Development									
Sample Part Number	233-300	NF	00	G	17	5H	N	1	T
Basic Number	233-300								
Finish	See Material and Finish table								
Connector Style¹	See Connector Style table								
Insert-to-Shell Grounding	- = Inline shielded RJ45 insert G = Shielded and grounded to shell ²								
Shell Size	17 or 19								
RJ45 Category	5H = CAT 5e 6A = CAT 6A (CAT 6A receptacle only, for use with 233-312)								
Alternate Key Position¹	Per MIL-DTL-38999 A, B, C, D, E, N = Normal								
RJ45 Orientation	1, 2, 3, or 4								
Shrink Boot	T = Part No. 770-028; see accessory section. (Omit for None)								

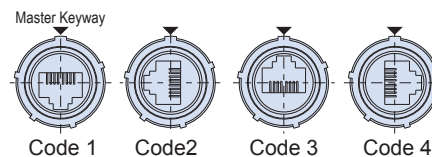
Connector Style¹

00	Wall mount receptacle with slotted holes ³
01	Wall mount receptacle with slotted holes and metal cable gland
05	Inline Receptacle
07	rear panel mount, jam nut receptacle
08	In-line receptacle with metal cable gland
D0	Wall mount receptacle with round holes
D1	Wall mount receptacle with round holes and metal gland
CM	Wall mount receptacle with metric clinch nuts
CG	Wall mount receptacle with metric clinch nuts and metal gland
CS	Wall Mount Receptacle with standard clinch nuts
G6	plug
G9	Plug with metal cable gland ⁵

RJ45 Orientation Options (Plug Face)



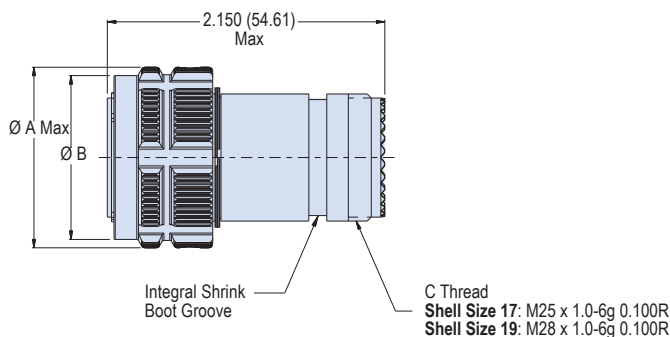
RJ45 Orientation Options (Receptacle Face)



All external dimensions, features, etc. compliant with D38999/20, /24, &/26. Consult factory for additional information.

G6 - PLUG WITH INTEGRAL SHRINK BOOT

G6 and G7 - plug Dimensions				
Shell Size	A Dia Max		B Dia	
	in	mm	in	mm
17	1.406	35.71	1.276 1.268	32.41 32.21
19	1.516	38.51	1.382 1.374	35.10 34.90





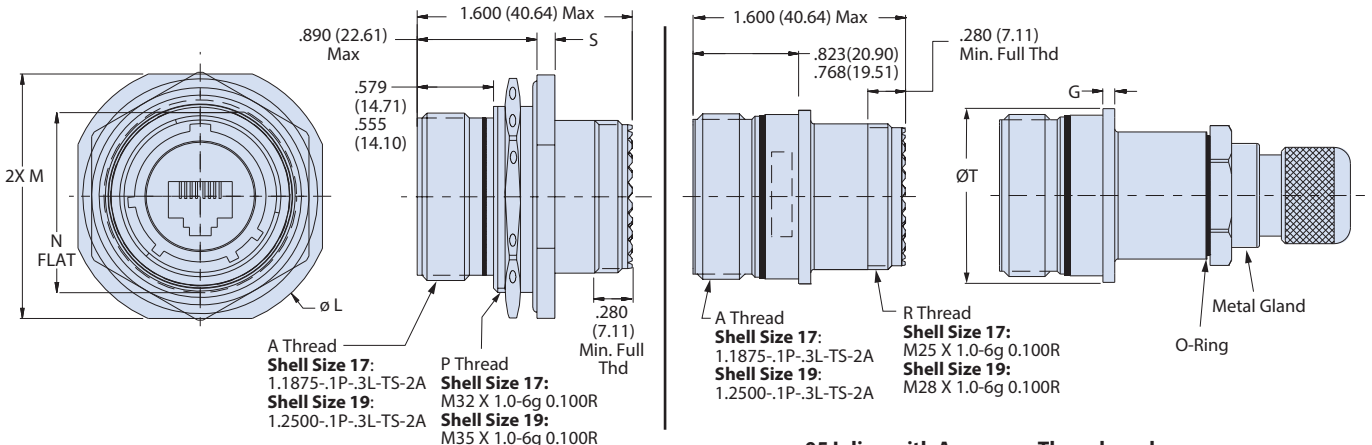
RJ45 CAT 5E/6A ETHERNET

MIL-DTL-38999 Series III Type Connectors



233-300 Coupler with accessory threads

07 - REAR PANEL MOUNT JAM NUT AND 05 OR 08 - INLINE RECEPTACLES

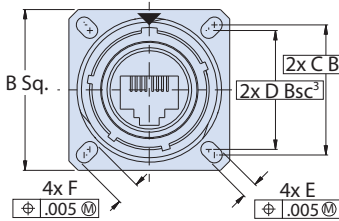


07 Jam Nut Receptacle (mating face and side view)

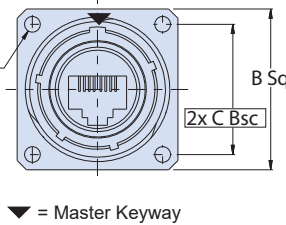
05 Inline with Accessory Threads and 08 Inline with Metal Gland (side view only)

00, 01, DO, D1, CM AND CG - WALL MOUNT RECEPTACLES WITH ACCESSORY THREADS OR METAL GLAND

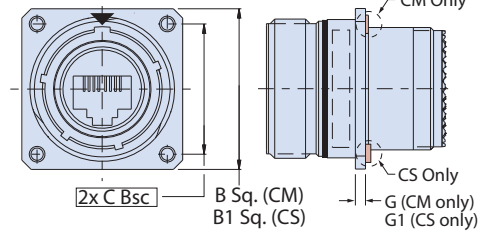
00, 01 - Wall Mount Receptacle with Slotted Holes (Mating Face)



D0, D1 - Wall Mount Receptacle with Round Holes (Mating Face)

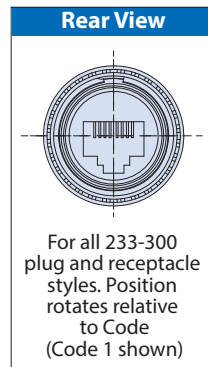
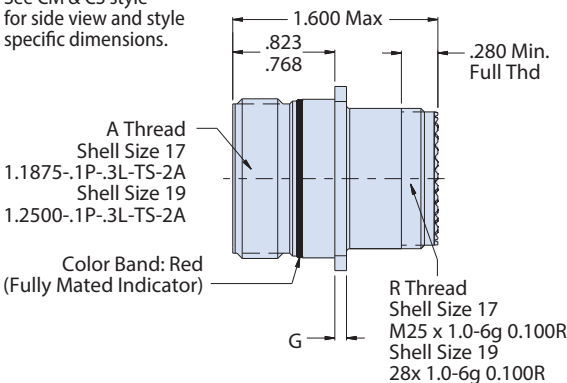


CM Metric and CS Standard - Wall Mount Receptacles (Mating Face and Side View)

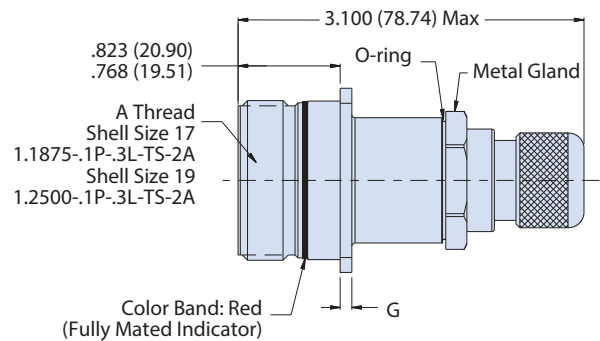


Note: See CM & CS style for side view and style specific dimensions.

00, D0, CM - Wall Mount Receptacle



01, D1, CG - Wall Mount Receptacle with Metal Gland



Jam Nut and Inline Receptacle Dimensions					
Shell Size	ØL	M	N	S	ØT Max
17	1.764 (44.81)	1.642 (41.71)	1.191 (30.25)	.122 (3.09)	1.275 (32.39)
	1.740 (44.20)	1.610 (40.89)	1.181 (30.00)	.083 (2.11)	
19	1.949 (49.50)	1.827 (46.41)	1.316 (33.43)	.153 (3.89)	1.337 (33.96)
	1.925 (48.90)	1.795 (45.59)	1.306 (33.17)	.114 (2.90)	

Wall Mount Receptacle Dimensions									
Shell Size	B Sq	B1 Sq	C Bsc	D Bsc³	E	F	G	G1	ØJ Holes
17	1.323 (33.60)	1.437 (34.50)	1.062 (26.97)	.969 (24.61)	.136 (3.45)	.202 (5.13)	.098 (2.49)	.122 (3.10)	.136 (3.45)
	1.299 (32.99)	1.397 (35.48)						.083 (.58)	
19	1.449 (36.80)	1.531 (38.89)	1.156 (29.36)	1.062 (26.97)	.120 (3.05)	.186 (4.72)	.083 (2.11)	.153 (3.89)	.120 (3.05)
	1.425 (36.20)	1.491 (37.87)						.144 (3.66)	