



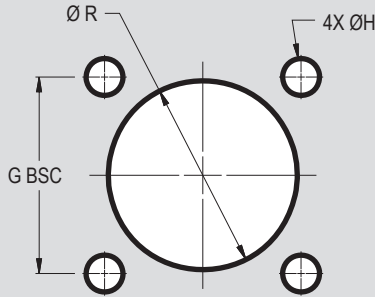
RJ45 ETHERNET, USB, HDMI, AND DISPLAY PORT Introduction and Technical Reference



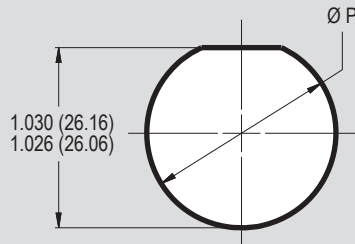
Recommended panel cutouts for Mighty Mouse Series 801, 804 and 805 connectors

A

SERIES 801 MIGHTY MOUSE RJ45 PANEL CUTOUTS FOR SHELL SIZE 17 AND 19



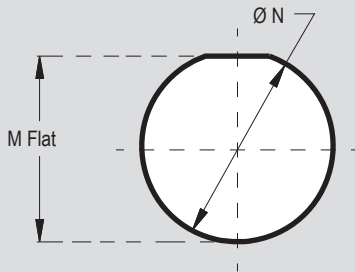
FRONT OR REAR PANEL MOUNT
SQUARE FLANGE RECEPTACLE



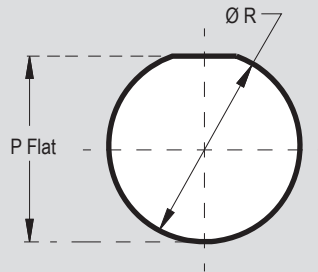
REAR PANEL MOUNT
JAM NUT RECEPTACLE

Panel Cut-Out Dimensions						
Shell Size	Mounting Style	N Flat	Ø P	G BSC	Ø H Holes	Ø R
		17	Jam Nut	1.104 (28.04) 1.100 (27.94)	1.135 (28.83)	-
	Square Flange	-	-	1.060 (26.92)	.130 (3.30) .126 (3.20)	1.078 (27.38)
19	Jam Nut	1.235 (31.67) 1.231 (31.27)	1.260 (32.00)	-	-	-
	Square Flange	-	-	1.191 (30.25)	.130 (3.30) .126 (3.20)	1.203 (30.56)

SERIES 804 USB MIGHTY MOUSE RJ45 PANEL CUTOUTS FOR SHELL SIZE 15 AND 16



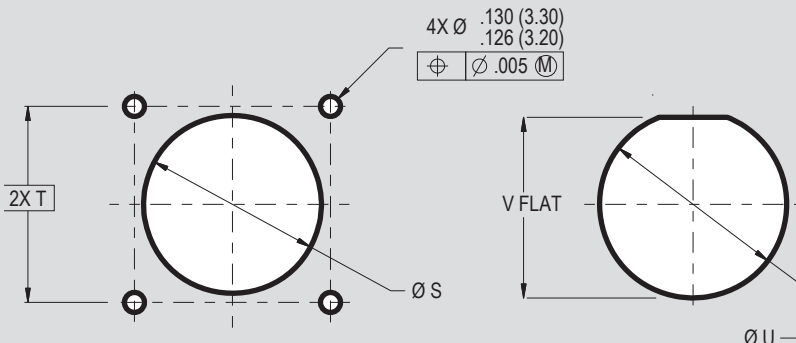
REAR PANEL MOUNT
JAM NUT RECEPTACLE



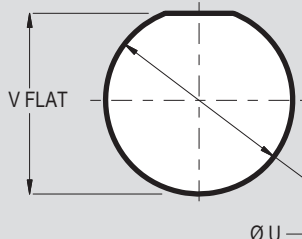
FRONT PANEL MOUNT
JAM NUT RECEPTACLE

Panel Cut-Out Dimensions					
Shell Size	Mounting Style	M Flat	Ø N	P Flat	Ø R
		15	Front Mount	-	-
	Rear Mount	1.041 (26.44) 1.037 (26.34)	1.070 (27.18)	-	-
16	Front Mount	-	-	1.157 (29.38) 1.153 (29.27)	1.198 (30.43)
	Rear Mount	1.102 (27.99) 1.098 (27.89)	1.135 (28.83)	-	-

SERIES 805 USB MIGHTY MOUSE RJ45 PANEL CUTOUTS FOR SHELL SIZE 19 AND 21



FRONT OR REAR PANEL MOUNT
SQUARE FLANGE RECEPTACLE
(NOTE: -12 & -22 REAR MOUNT ONLY
-02 FRONT OR REAR MOUNT)



REAR PANEL MOUNT
JAM NUT RECEPTACLE

Panel Cut-Out Dimensions				
Shell Size	Ø S	T BSC	Ø U	V Flat
19	1.203 (30.56)	1.327 (33.71)	1.262 (32.05) 1.258 (31.95)	1.233 (31.32) 1.229 (31.22)
21	1.328 (33.73)	1.452 (36.88)	1.387 (35.23) 1.383 (35.13)	1.360 (34.54) 1.356 (34.44)

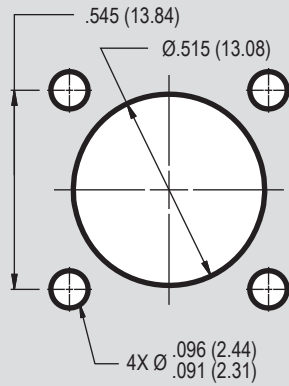


RJ45 ETHERNET, USB, HDMI, AND DISPLAY PORT Introduction and Technical Reference

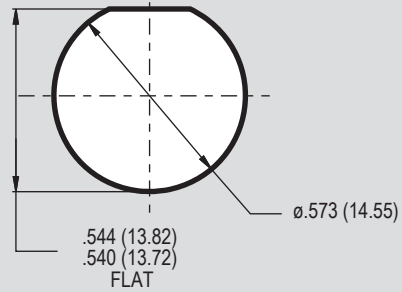


Recommended panel cutouts for Mighty Mouse series 801 and 805 “Micro” USB connectors

SERIES 801 MIGHTY MOUSE, MICRO USB PANEL CUTOUTS FOR SHELL SIZE 8



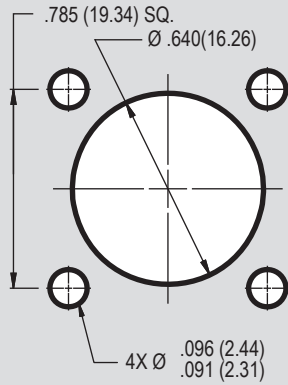
SQUARE FLANGE RECEPTACLE



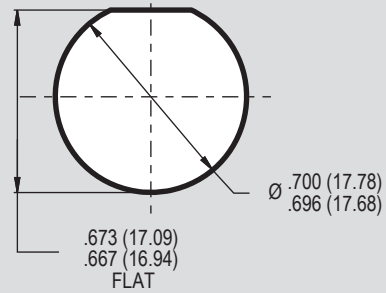
REAR PANEL MOUNT
JAM NUT RECEPTACLE

A

SERIES 805 MIGHTY MOUSE, MICRO USB PANEL CUTOUTS FOR SHELL SIZE 10



SQUARE FLANGE RECEPTACLE



REAR PANEL MOUNT
JAM NUT RECEPTACLE



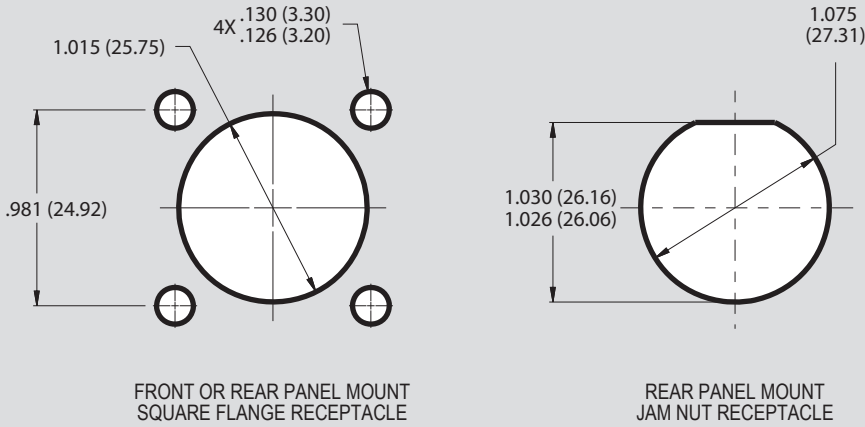
RJ45 ETHERNET, USB, HDMI, AND DISPLAY PORT Introduction and Technical Reference



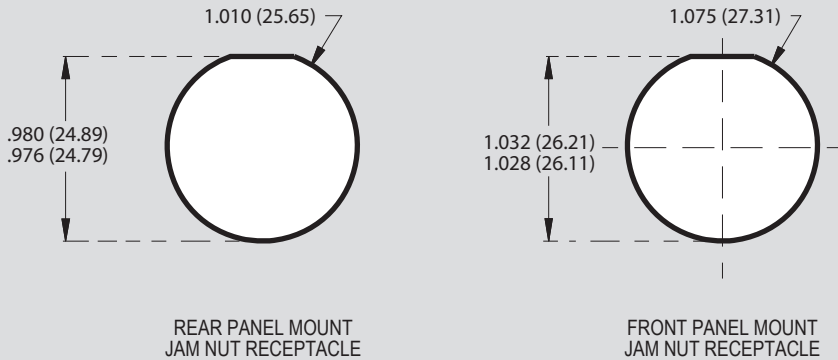
Recommended panel cutouts for Mighty Mouse Series 801, 804 and 805 connectors

A

SERIES 801 MIGHTY MOUSE, TYPE A STANDARD USB, PANEL CUTOUTS FOR SHELL SIZE 16



SERIES 804 USB MIGHTY MOUSE, TYPE A STANDARD USB, PANEL CUTOUTS FOR SHELL SIZE 14



SERIES 805 USB MIGHTY MOUSE, TYPE A STANDARD USB, PANEL CUTOUTS FOR SHELL SIZE 18

