



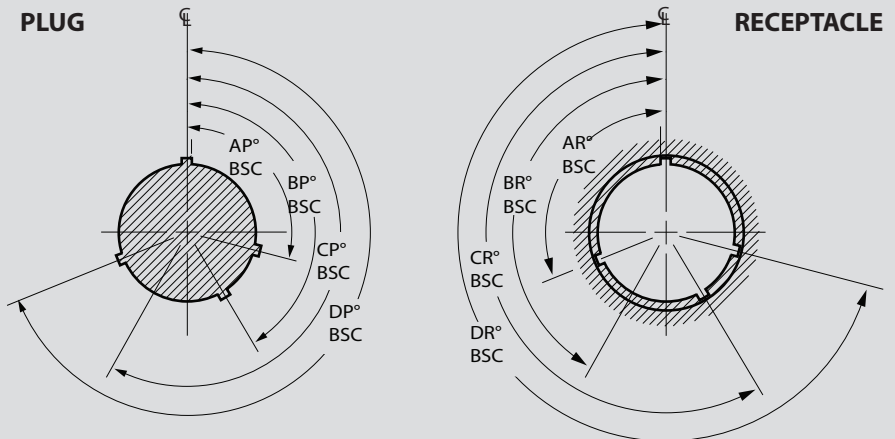
# Introduction and Technical Reference

## Alternate key and keyway positions for MIL-DTL-38999 and MIL-DTL 28840 type connectors

### MIL-DTL-38999 POLARIZATION KEY(PLUG) AND KEYWAY (RECEPTACLE) POSITIONS

**A**

Alternate Key and Keyway Polarization					
Shell Size	Key and Keyway Code	AR° or AP° BSC	BR° or BP° BSC	CR° or CP° BSC	DR° or DP° BSC
17 19	N	80	142	196	293
	A	135	170	200	310
	B	49	169	200	244
	C	66	140	200	257
	D	62	145	180	280
	E	79	153	197	272



### MIL-DTL-28840 POLARIZATION KEY AND KEYWAY ARRANGEMENTS

Alternate Key and Keyway Polarization					
Shell Size	Key and Keyway Code	AR° or AP° BSC	BR° or BP° BSC	CR° or CP° BSC	DR° or DP° BSC
15 (C) 17 (D)	1	80	142	196	293
	2	135	170	200	310
	3	49	169	200	244
	4	66	140	200	257
	5	62	145	180	280
	6	79	153	197	272
19 (E)	1	80	142	196	293
	2	135	170	200	310
	3	49	169	200	244
	4	66	140	200	257
	5	62	145	180	280
	6	79	153	197	272

