



# USB 3.0 TYPE A CONNECTORS

## MIL-DTL-38999 Series III Type Connectors



### 233-355 Panel mount feed-through connectors



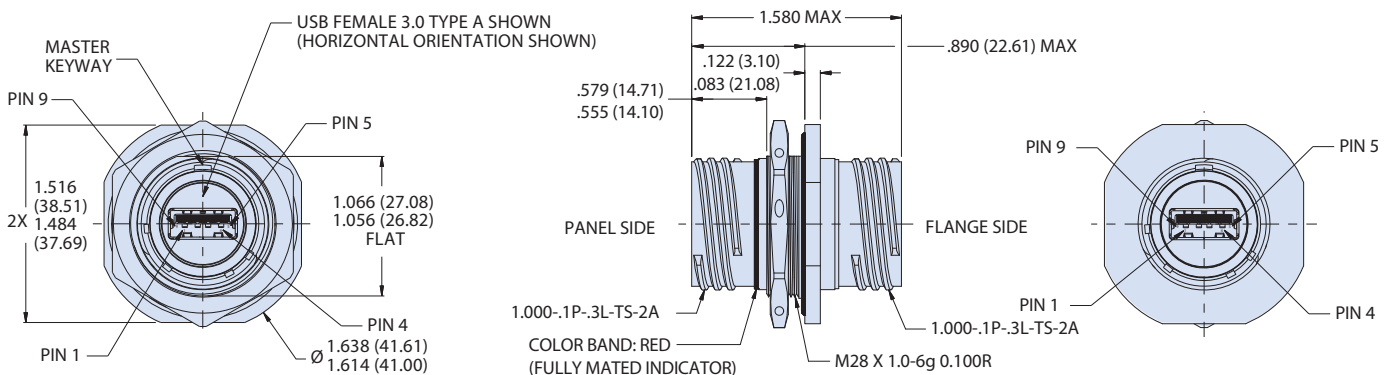
Part Number Development								
Sample Part Number	233-355	NF	00	-15	3	A	N	H
Basic Number	233-355							
Finish	See Material and Finish table							
Connector Style <sup>1</sup>	See Connector Style table							
Shell Size	15							
USB Performance	3 = USB 3.0							
USB Interface (Front and Back)	A = Type A							
Alternate Key Position <sup>1</sup>	A, B, C, D, E, N = Normal per MIL-DTL-38999							
USB Orientation	H = Horizontal V = Vertical							

Material and Finish	
NF	Aluminum/Cadmium, Olive Drab
ME	Aluminum/Electroless Nickel
MT	Aluminum/Nickel PTFE
ZR	Aluminum/Black Zinc-Nickel

Connector Style	
07	Rear panel mount, jam nut receptacle
00	Wall mount receptacle with slotted holes
DO	Wall mount receptacle with thru-holes
CM	Wall mount receptacle with metric clinch nuts

*All external dimensions, features, etc. compliant with D38999/20, /24, &/26. Consult factory for additional information.*

### 07 - JAM-NUT MOUNT RECEPTACLE

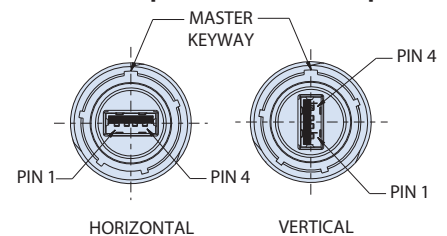


### NOTES

- See Section A for alternate key/keyway positions and panel cutout dimensions
- Meets IP67 in unmated condition, IP68 mated
- USB female port, front
- Material and Finish
  - Shell, jam nut: al alloy
  - Insulators: high grade rigid dielectric/n.a.
  - Contacts: copper alloy, gold plated
  - Seals: silicone based elastomer

- USB (shell/contacts): copper alloy
- Dielectric: hi-temp thermoplastic PA9T UL94V-0
- Hardware: stainless steel /passivated

### USB Receptacle Orientation Options





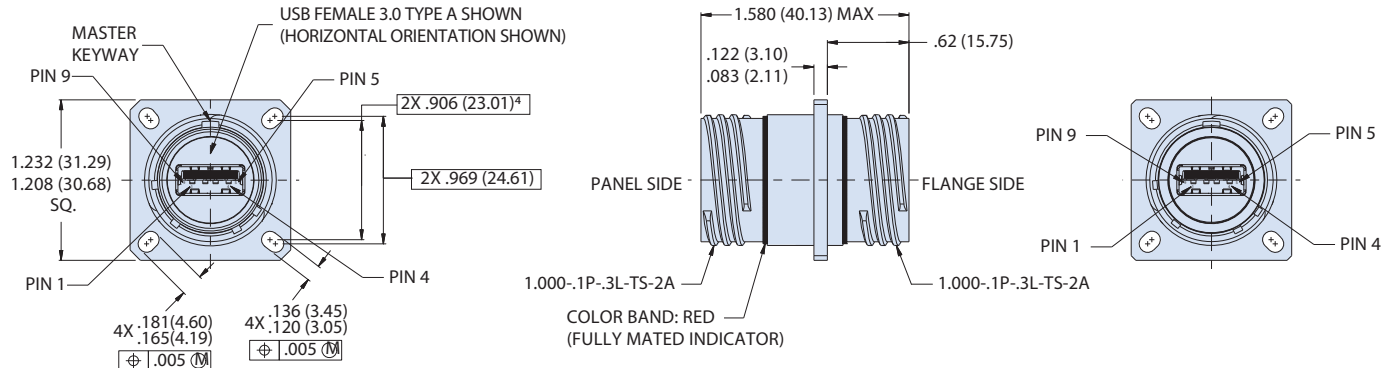
USB 3.0 TYPE A CONNECTORS

MIL-DTL-38999 Series III Type Connectors

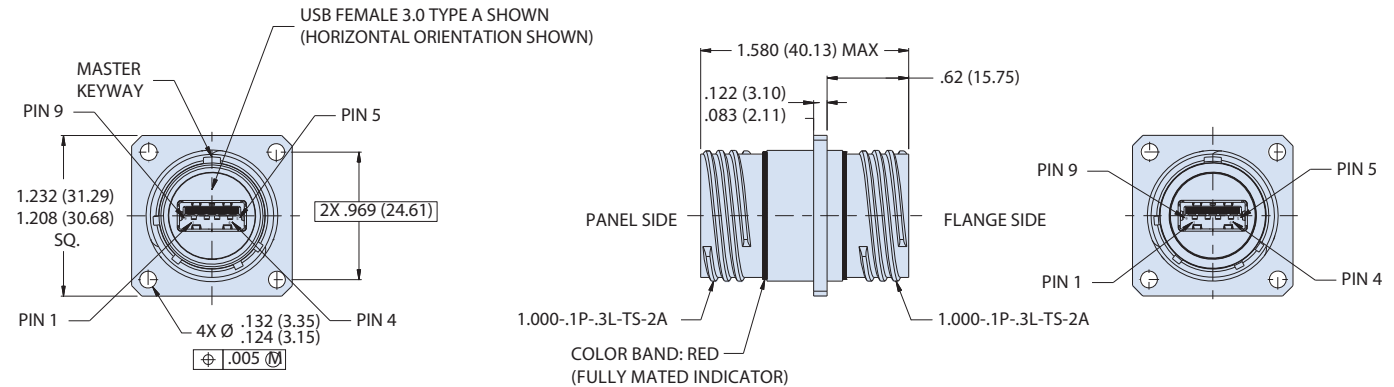


233-355 Panel mount feed-through connectors

**00 - WALL MOUNT RECEPTACLE WITH SLOTTED THRU-HOLES**



**DO - WALL MOUNT RECEPTACLE WITH ROUND THRU-HOLES**



**CM - WALL MOUNT RECEPTACLE WITH METRIC CLINCH NUTS**

