

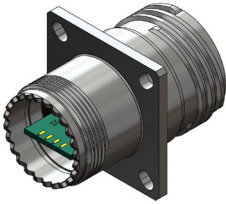


# USB 3.0 TYPE A CONNECTORS

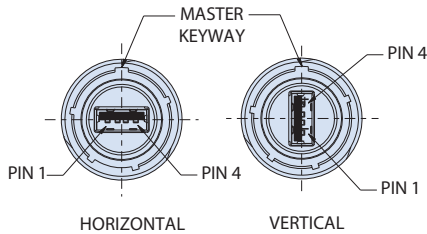
## MIL-DTL-38999 Series III Type Connectors



### 233-354 Panel mount receptacles with breakout board



#### USB Receptacle Orientation Options



Part Number Development							
Sample Part Number	233-354	NF	00	-15	3	A	N H
Basic Number	233-354						
Finish	See Material and Finish table						
Connector Style <sup>1</sup>	See Connector Style table						
Shell Size	15						
USB Performance	3 = USB 3.0						
USB Interface (Front and Back)	A = Type A						
Alternate Key Position <sup>1</sup>	A, B, C, D, E, N = Normal per MIL-DTL-38999						
USB Orientation	H = Horizontal V = Vertical						

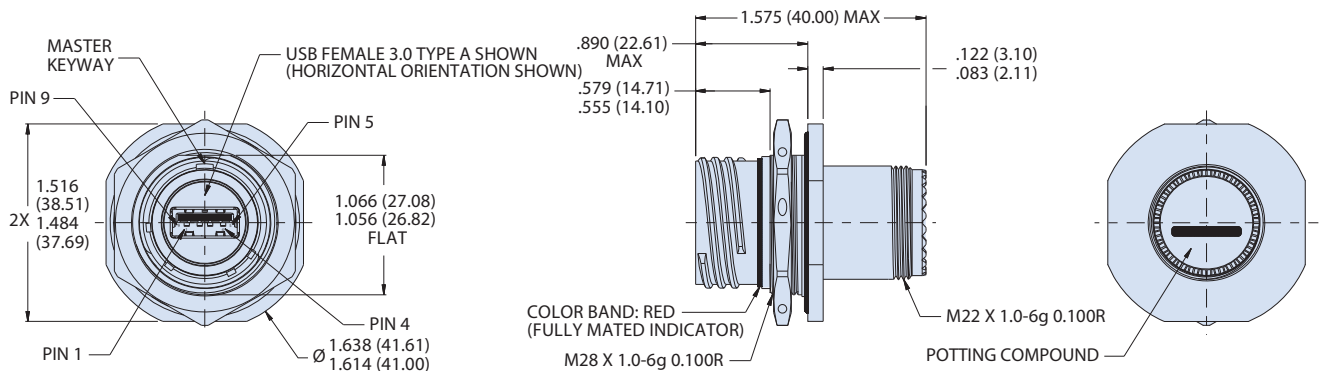
Material and Finish	
NF	Aluminum/Cadmium, Olive Drab
ME	Aluminum/Electroless Nickel
MT	Aluminum/Nickel PTFE
ZR	Aluminum/Black Zinc-Nickel
AB	Marine Bronze
XM	Composite/Electroless Nickel

*All external dimensions, features, etc. compliant with D38999/20, /24, &/26. Consult factory for additional information.*

Material and Finish	
NF	Aluminum/Cadmium, Olive Drab
M	Aluminum/Electroless Nickel
MT	Aluminum/Nickel PTFE
ZR	Aluminum/Black Zinc-Nickel

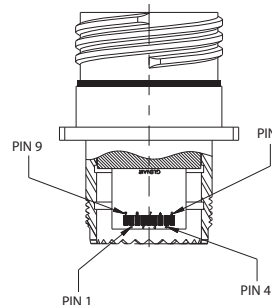
Additional material / finish options available consult factory

## 07 - JAM-NUT MOUNT RECEPTACLE



### NOTES

- See Section A for alternate key/keyway positions and panel cutout dimensions
- Meets IP67 in unmated condition, IP68 mated
- USB female port, front
- Material and Finish
  - Shell, jam nut: al alloy
  - Insulators: high grade rigid dielectric/n.a.
- Contacts: copper alloy, gold plated
- Seals: silicone based elastomer
- USB (shell/contacts): copper alloy
- Dielectric: hi-temp thermoplastic PA9T UL94V-0
- Hardware: stainless steel / passivated



USB 3.0 Wiring		
Pin	Name	Description
1	(V BUS)	+5 V
2	(D-)	USB 2.0 Data
3	(D+)	
4	(GND)	Ground
5	(RX-)	Receiver
6	(RX+)	Receiver
7	(GND)	Ground
8	(TX-)	Transmitter
9	(TX+)	Transmitter



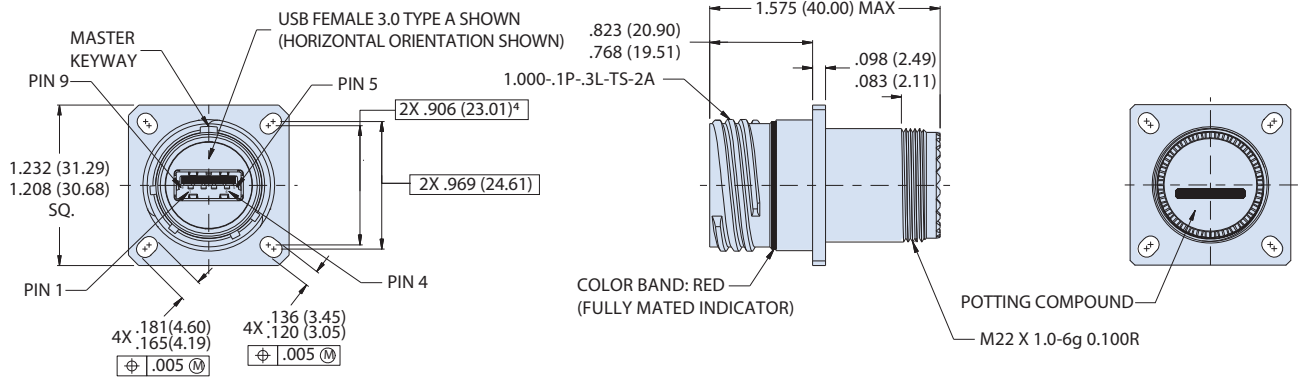
USB 3.0 TYPE A CONNECTORS

MIL-DTL-38999 Series III Type Connectors

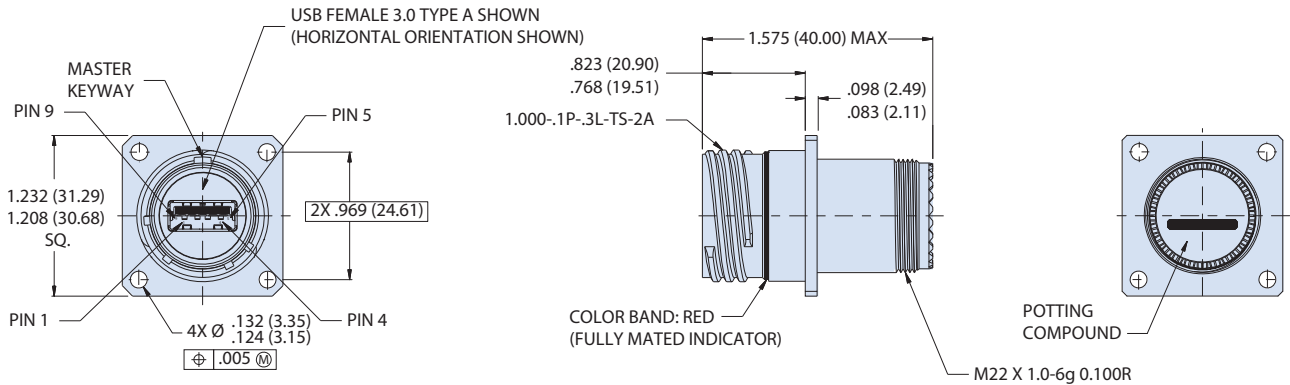


233-354 Panel mount receptacles with breakout board

**00 - WALL MOUNT RECEPTACLE WITH SLOTTED THRU-HOLES**



**DO - WALL MOUNT RECEPTACLE WITH ROUND THRU-HOLES**



**CM - WALL MOUNT RECEPTACLE WITH METRIC CLINCH NUTS**

