

# SuperNine® USB 2.0 type A

## MIL-DTL-38999 Series III Type connectors

### 233-343 Receptacle with solder cup termination



USB 2.0 AND 3.0 CONNECTORS



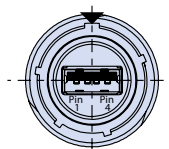
Jam Nut Receptacle  
Front View



Jam Nut Receptacle  
Rear View

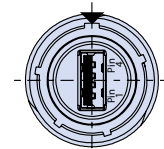
Part Number Development								
Sample Part Number	233-343	NF	00	-15	2	A	N	H
Basic Number	233-343							
Finish	See Material and Finish table							
Connector Style <sup>1</sup>	See Connector Style table							
Shell Size	15							
USB Performance	2 = USB 2.0							
USB Interface Type	A = Type A							
Alternate Key Position <sup>1</sup>	A, B, C, D, E, N = Normal; per MIL-DTL-38999							
USB Orientation	H = Horizontal V = Vertical							

USB Receptacle Orientation Options (Partial Views Shown)



Horizontal

▼ = Master Keyway



Vertical

Material and Finish	
NF	Aluminum/cadmium, olive drab
M	Aluminum/electroless nickel
MT	Aluminum/nickel PTFE
ZR	Aluminum/black zinc-nickel

Connector Style	
07	Rear panel mount, jam nut receptacle
00	Wall mount receptacle with slotted holes
DO	Wall mount receptacle with round holes
CM	Wall mount receptacle with metric clinch nuts

USB 2.0 Wiring				
Pin	Name	Cable Color (USB)	Description	Recommended Wire Sizes (AWG)
1	(V Bus)	Red	+5 V	22
2	(D-)	White	Data -	28
3	(D+)	Green	Data +	28
4	(GND)	Black	Ground	22

*All external dimensions, features, etc. compliant with D38999/20, /24, &/26. Consult factory for additional information.*

**NOTES**

- See Section A for alternate key/keyway positions and panel cutout dimensions
- Front panel mount only
- All external dimensions, features, etc. Compliant with D38999/20, /24 & /26. Consult factory for additional information
- Meets IP67 in unmated condition, IP68 mated
- Receptacle has USB female receptacle
- Materials and finishes
  - Shell, jam nut: aluminum ally
  - insulators: high grade 4 rigid dielectric/n.a.
  - contacts: copper alloy, gold plated
  - seals: silicone based elastomer
  - USB (shell/contacts: copper alloy
  - dielectric: hi-temp thermoplastic PA9T UL94V-0
  - Hardware: stainless steel/passivated

# SuperNine® USB 2.0 type A

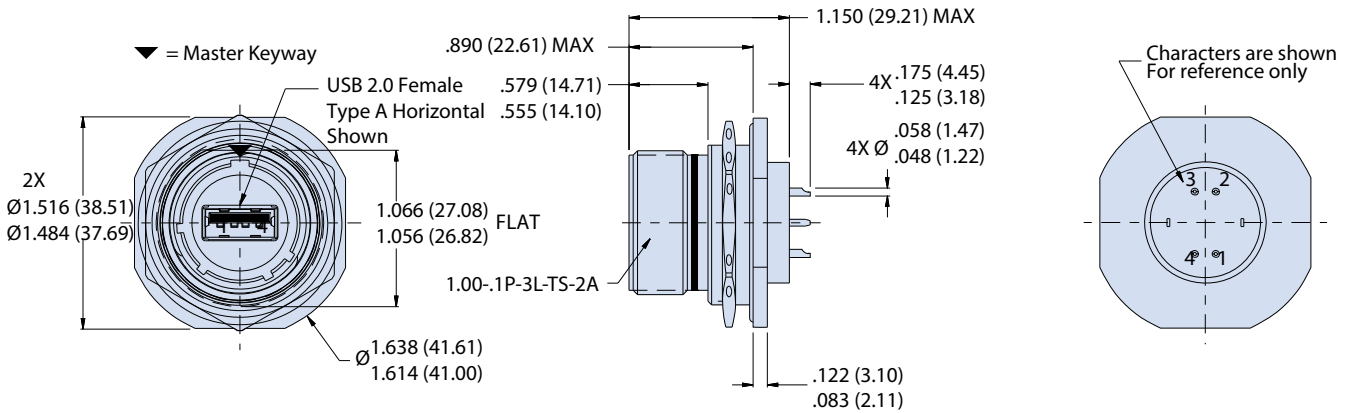
## MIL-DTL-38999 Series III Type connectors

### 233-343 Receptacle with solder cup termination



USB 2.0 AND 3.0 CONNECTORS

#### 07 - REAR PANEL MOUNT, JAM NUT RECEPTACLE

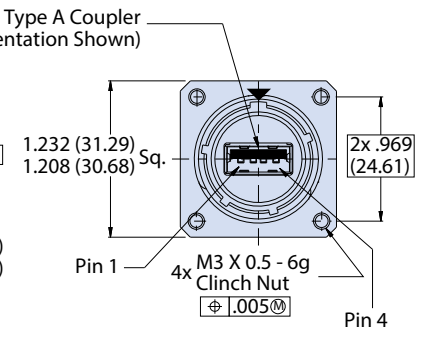
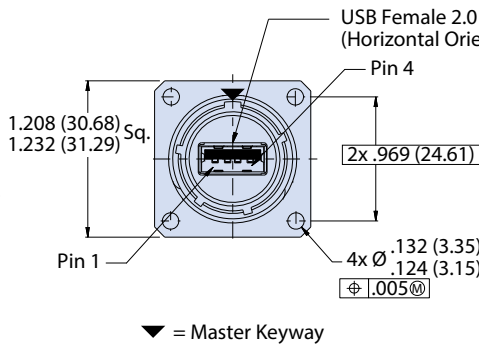
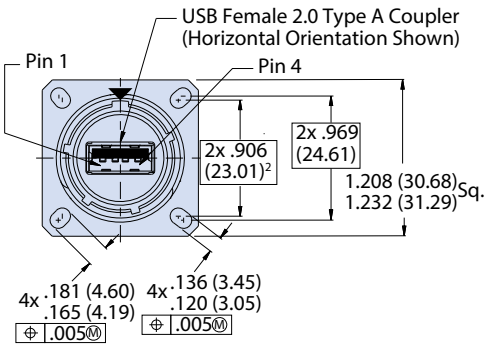


#### 00, D0 AND CM - WALL MOUNT RECEPTACLES

00 - Slotted Hole Receptacle Face View

D0 - Round Hole Receptacle Face View

CM - Clinch Hole Receptacle Face View



00 and D0 - Receptacle Side View

CM - Receptacle Side View

