

SuperNine® RJ45 CAT 5e, TVS

MIL-DTL-38999 Series III Type connectors

244-004 Wall mount receptacle with PC tails or solder cups



RJ45 CAT 5E AND 6A CONNECTORS



Material and Finish	
NF	Aluminum/Cadmium Olive Drab
ME	Aluminum/Electroless Nickel
MT	Aluminum/Nickel PTFE
ZR	Aluminum/Black Zinc-Nickel

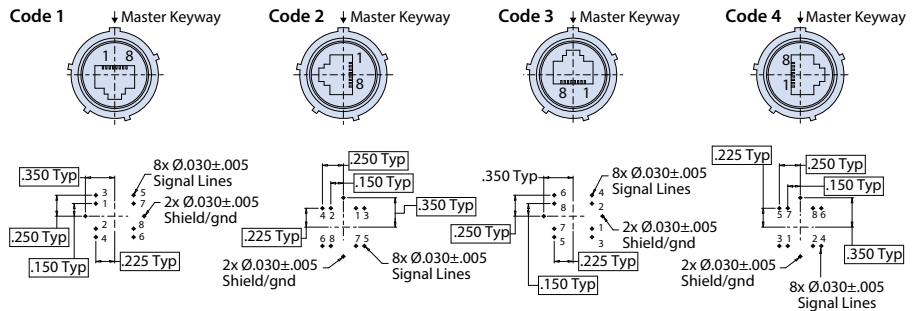
NOTES

1. See Section A for alternate key/keyway positions and panel cutout dimensions
2. See page E-26 for diode values

All external dimensions, features, etc. compliant with D38999/20, /24, &/26. Consult factory for additional information.

Part Number Development						
Sample Part Number	244-004	NF	19	P	G	N 1
Basic Number	244-004 with accessory thread					
Finish	See Material and Finish Table					
Shell Size	17 or 19					
Termination	P = PC tail S = Solder cup					
Insert-to-Shell Grounding	G = Shielded and grounded to shell					
Alternate Key Position	Per MIL-DTL-38999 A, B, C, D, E, N = Normal					
RJ45 Orientation	1, 2, 3, or 4					

RJ45 ORIENTATION CODE AND PCB LAYOUT (PCB LAYOUT FOR PC TAIL VERSION)



Component Mounting Side

Jam Nut Dimensions									
Shell Size	A Thread	B Sq.		C Bsc		Ø D Min		E Bsc	
		in	mm	in	mm	in	mm	in	mm
17	1.1875-.1P-.3L-TS-2A	1.323 1.299	33.60 32.99	1.062	26.97	1.219	30.96	1.062	26.97
19	1.2500-.1P-.3L-TS-2A	1.449 1.425	36.80 36.195	1.156	29.36	1.297	32.94	1.156	29.36

REAR PANEL MOUNT RECEPTACLE WITH ACCESSORY THREADS

