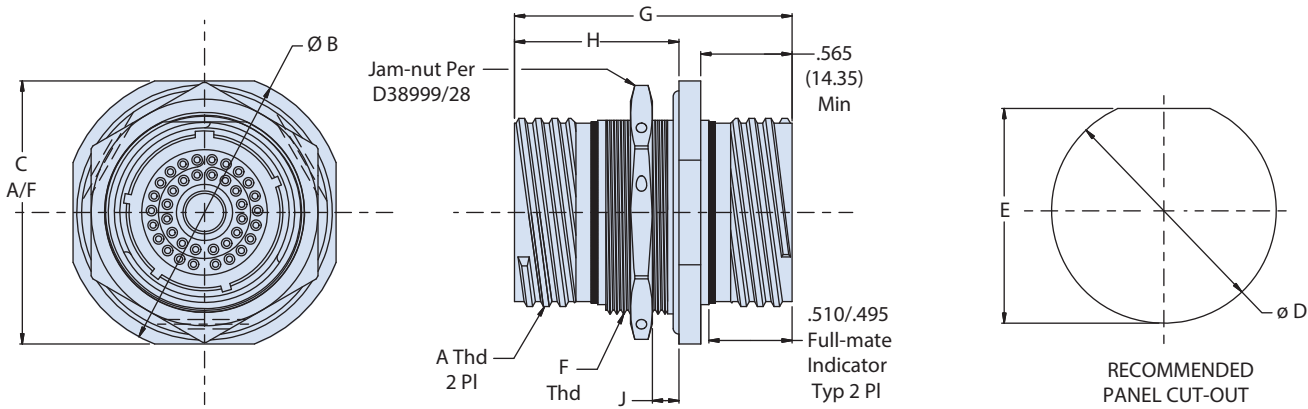


MIL-DTL-38999 Series III Type

233-261 Bulkhead feed-thru with shielded contacts

HERMETIC CONNECTORS

233-261-H7 JAM-NUT MOUNT FEED-THRU CONNECTOR AND 233-261-DH7 DUAL O-RING JAM-NUT MOUNT FEED-THRU CONNECTOR



| Dimensions | | | | |
|------------|-------------------------|--------------------------------|--------------------------------|--------------|
| Shell Size | A Thread | D BSC | E | F Thread |
| 9 | .6250 -.1 P-0.3L-TS-2A | .703 (17.86) .693 (17.60) | .661 (16.79) .665 (16.89) | M17 x 1.0-6g |
| 11 | .7500 -.1 P-0.3L-TS-2A | .835 (21.21) .825 (20.95) | .771 (19.58) .761 (19.33) | M20 x 1.0-6g |
| 13 | .8750 -.1 P-0.3L-TS-2A | 1.020 (25.91) 1.010 (25.65) | .955 (24.26) .945 (24.00) | M25 x 1.0-6g |
| 15 | 1.0000 -.1 P-0.3L-TS-2A | 1.145 (29.08) 1.135 (28.83) | 1.085 (27.56) 1.075 (27.30) | M28 x 1.0-6g |
| 17 | 1.1875 -.1 P-0.3L-TS-2A | 1.270 (32.26) 1.260 (32.00) | 1.210 (30.73) 1.200 (30.48) | M32 x 1.0-6g |
| 19 | 1.2500 -.1 P-0.3L-TS-2A | 1.395 (35.43) 1.385 (35.18) | 1.335 (33.91) 1.325 (33.65) | M35 x 1.0-6g |
| 21 | 1.3750 -.1 P-0.3L-TS-2A | 1.520 (38.61) 1.510 (38.35) | 1.460 (37.08) 1.450 (36.83) | M38 x 1.0-6g |
| 23 | 1.5000 -.1 P-0.3L-TS-2A | 1.645 (41.78) 1.635 (41.53) | 1.585 (40.26) 1.575 (40.00) | M41 x 1.0-6g |
| 25 | 1.6250 -.1 P-0.3L-TS-2A | 1.770 (44.96) 1.760 (44.70) | 1.710 (43.43) 1.700 (43.18) | M44 x 1.0-6g |

| Jam-Nut Mount (H7) Dimension | | |
|------------------------------|---------------|---------------|
| Shell Size | B DIA | C MAX |
| 9 | 1.189 (30.20) | 1.063 (27.00) |
| 11 | 1.375 (34.92) | 1.252 (31.80) |
| 13 | 1.500 (38.10) | 1.375 (34.92) |
| 15 | 1.626 (41.30) | 1.500 (38.10) |
| 17 | 1.752 (44.50) | 1.626 (41.30) |
| 19 | 1.937 (49.20) | 1.811 (46.00) |
| 21 | 2.063 (52.40) | 1.937 (49.20) |
| 23 | 2.189 (55.60) | 2.063 (52.40) |
| 25 | 2.311 (58.70) | 2.189 (55.60) |

| Dual O-ring, Jam-Nut (DH7) Mount Dimension | | |
|--|---------------|---------------|
| Shell Size | B DIA | C MAX |
| 9 | 1.500 (38.10) | 1.375 (34.92) |
| 11 | 1.625 (41.28) | 1.500 (38.10) |
| 13 | 1.752 (44.50) | 1.626 (41.30) |
| 15 | 1.937 (49.20) | 1.811 (46.00) |
| 17 | 2.063 (52.40) | 1.937 (49.20) |
| 19 | 2.189 (55.60) | 2.063 (52.40) |
| 21 | 2.311 (58.70) | 2.189 (55.60) |
| 23 | 2.500 (63.50) | 2.300 (58.42) |
| 25 | 2.625 (66.68) | 2.400 (60.96) |

| Panel Thickness | | | |
|-----------------|----------------|---------------|-----------------------------|
| Shell Size | G Dim, OAL Max | H Dim, Max | J Dim, Panel |
| -01 | 1.670 (42.42) | .889 (22.58) | .125 (3.17) .062 (1.57) |
| -02 | 1.800 (45.72) | 1.090 (27.69) | .250 (6.35) .062 (1.57) |
| -03 | 2.050 (52.07) | 1.340 (34.04) | .500 (12.70) .062 (1.57) |