

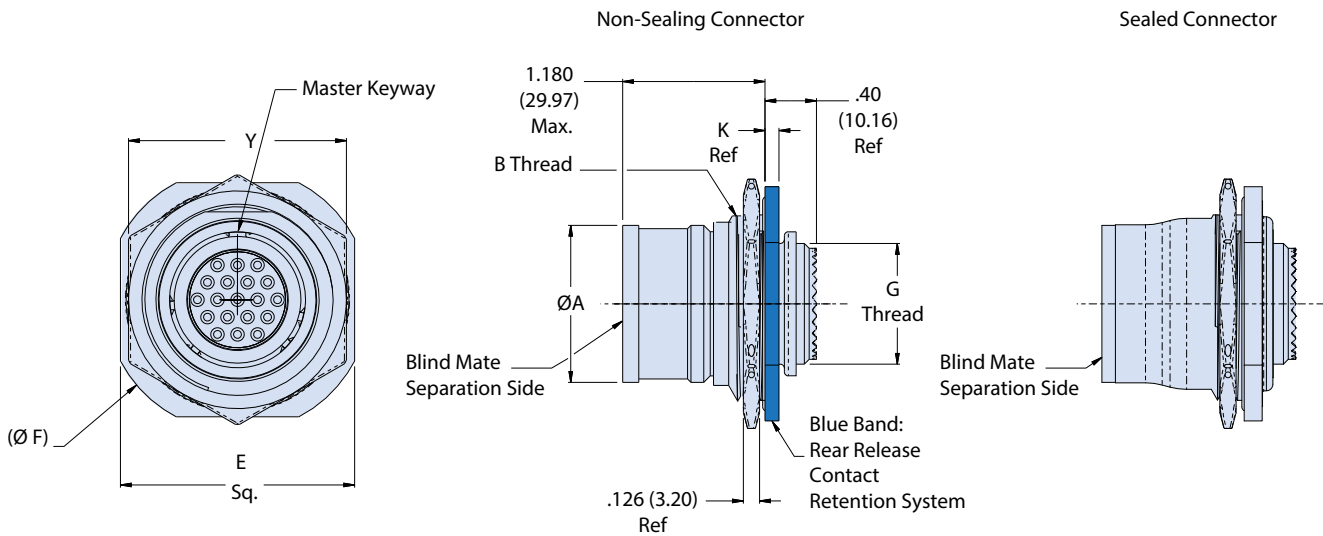
**MIL-DTL-38999 Series III Type space-grade blind-mate
253-032 jam-nut receptacle, mates with 253-031 plug**

ENVIRONMENTAL CONNECTORS

Part Number Development						
Sample Part Number	253-032	-07	ME	25-35	S	N NS
Series / Basic Part No.	253-032 = Blind-mate receptacle for use with 253-031 plug					
Connector Mounting	-07 = Floating jam nut mount receptacle					
Material/Finish	ME = Aluminum, electroless nickel ZL = CRES, electrodeposited nickel MT = Aluminum, nickel PTFE Z1 = CRES, passivated					
Shell Size-Insert Arrangement*	Per MIL-STD-1560; Symmetrical layouts only, consult factory for complete details.					
Contact Type	P = Pin, crimp removable A = Pin insert less contacts S = Socket, crimp removable B = Socket insert less contacts					
Alternate Polarization*	A = 40°, B = 65°, C = 80°, D = 210°, E = 250°, F = 280°, G = 310°, H = 330°, N = 135° (Normal) Per L° BSC. Refers to blind mate side.					
Non Sealing	NS = Non-Sealing (omit for external elastomer seal version)					

*Refer to section A for complete details. Refer to Space-Grade Guidelines material (IAW NASA EEE INST-002) for outgassing and screening modification codes, on pages 60 and 61. Modification codes may be added directly to the end of any valid part number

253-032 FLOATING JAM-NUT MOUNT RECEPTACLE WITH MISALIGNMENT ACCOMMODATION; MATES WITH 253-031 ONLY

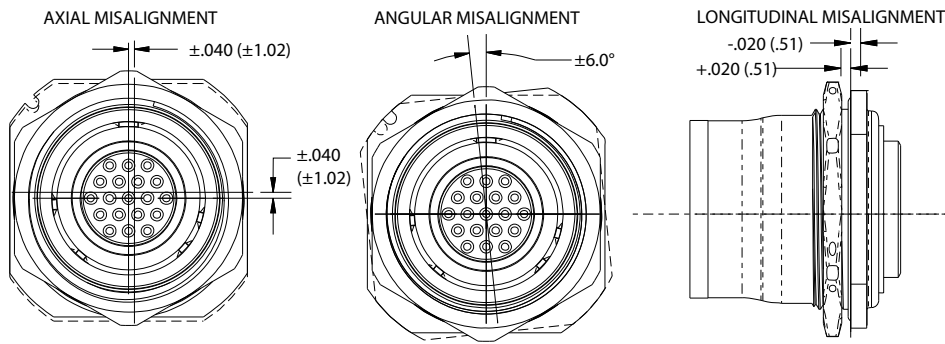


NOTES:

- Connector mates with Glenair 253-031 series connector, having the same insert arrangement and polarization.
- Insert arrangement is in accordance with MIL-STD-1560 arrangements only. Contact manufacturer for availability.
- Misalignment capabilities are possible when mated with Glenair connector 253-031
- See Space-Grade guidelines material, in this section, for outgassing/screening options available
- Material/finish:
 - Shell, flange, jam-nut: see part number development, finish
 - Wave spring: CRES 17-7PH/passivate
 - Insulators: high grade rigid dielectric/N.A.
 - Contacts: copper alloy/gold plated
 - O-ring: fluorosilicone blend/N.A.

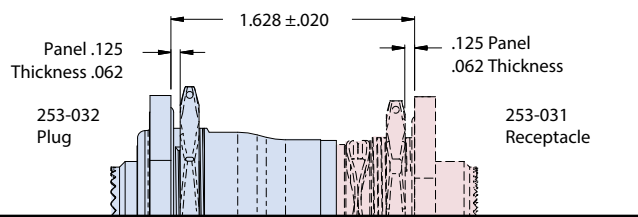
MIL-DTL-38999 Series III Type space-grade blind-mate 253-032 jam-nut receptacle, mates with 253-031 plug

Misalignment Capabilities



Distance between mated flanges.

For reference only (not deliverable)



Dimensions							
Shell Size	ØA Max	B Thd, Class 2A	Y Hex	E ±.016 (0.41)	Ø F Max	Thd G, Class 2A	K .011/-.010 (0.28/ 0.25)
11	.853 (21.67)	1.1250-18 UNEF	1.300 (33.02)	1.391 (35.33)	1.641 (41.68)	.5625-24	.109 (2.77)
13	.978 (24.84)	1.2500-18 UNEF	1.457 (37.01)	1.516 (38.51)	1.750 (44.45)	.6875-24	.109 (2.77)
15	1.103 (28.02)	1.3750-18 UNEF	1.575 (40.00)	1.641 (41.68)	1.938 (49.23)	.8125-20	.109 (2.77)
17	1.228 (31.19)	1.5000-18 UNEF	1.693 (43.00)	1.828 (46.43)	2.062 (52.37)	.9375-20	.140 (3.56)
19	1.353 (34.37)	1.6250-18 UNEF	1.811 (46.00)	1.954 (49.63)	2.188 (55.58)	1.0625-18	.140 (3.56)
21	1.478 (37.54)	1.7500-18 UNS	2.010 (51.05)	2.078 (52.78)	2.312 (58.72)	1.1875-18	.140 (3.56)
23	1.603 (40.72)	1.8750-16 UNS	2.209 (56.11)	2.128 (54.05)	2.327 (59.11)	1.3125-18	.140 (3.56)
25	1.728 (43.89)	2.0000-16 UN	2.334 (59.28)	2.253 (57.23)	2.452 (62.28)	1.4375-18	.140 (3.56)

Recommended Panel Cutout

Shell Size	Ø B	W
	.010/-.000 (0.25/0.00)	+.000/-.010 (.00/-0.25)
11	1.135 (28.83)	1.085 (27.56)
13	1.260 (32.00)	1.210 (30.73)
15	1.385 (35.18)	1.335 (33.91)
17	1.510 (38.35)	1.460 (37.08)
19	1.635 (41.53)	1.585 (40.26)
21	1.760 (44.70)	1.710 (43.43)
23	1.885 (47.88)	1.835 (46.61)
25	2.010 (51.05)	1.960 (49.78)

