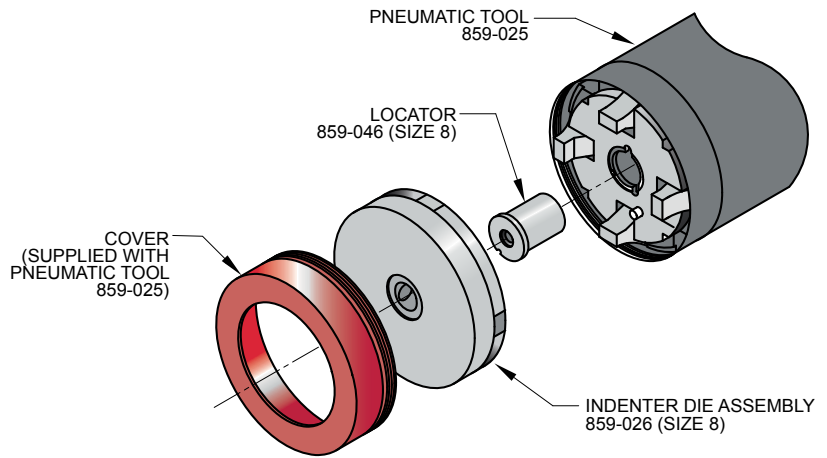


**MIL-DTL-38999 Series III Type IAW EN3645-01:23
Assembly tools for Pulse Width Modulation connectors**

ENVIRONMENTAL CONNECTORS

PNEUMATIC CRIMP TOOL FOR SIZE #8 POWER CONTACTS EXPLODED VIEW

The Daniels WA23 pneumatic crimp tool size #8 sets the standard for heavy-duty crimping. This four-indent tool accommodates large power contacts ranging from size #8 through size 0000. Die plates and locators are purchased separately. Qualified to M22520/23, the WA23 tool is specified for use with SAE AS39029 closed barrel copper alloy contacts.



PNEUMATIC CRIMP TOOL

Bench-mount heavy-duty pneumatic indenter crimp tool. Four-indent crimp termination. Use with closed barrel contact sizes 8 through 4/0. Attach to air supply with quick-disconnect fitting or install 1/4 NPT fitting into tapped port. 90-120 psi air supply. Requires die assembly and locator, sold separately. Hand actuate with push-button valve trigger on handle. Steel with black wrinkle enamel coating. 13 inches overall length, 9.2 inches tall, 17 pounds (7.7 Kg).

Description	Part Number	Military Part Number	Daniels Part Number
Pneumatic Crimper	859-025	M22520/23-01	WA23

DIE ASSEMBLY FOR SIZE #8 CONTACTS

Indenter Die Assembly. Precision four-indent die with hardened tool steel indenters, stainless steel housing, aluminum cap. Use with size #8 contacts. Go/No Go calibration dimensions are stamped on face of tool. Approximately 3.3 inches (84 mm.) diameter.

Description	Part Number	Military Part Number	Daniels Part Number
Die Assembly, Size #8	859-026	M22520/23-02	WA23-2

LOCATOR FOR SIZE #8 CONTACTS

Aluminum locator holds contact at correct depth for crimping.

Description	Part Number	Military Part Number	Daniels Part Number
Locator, #8, Special	859-046	(none)	WA23-395L