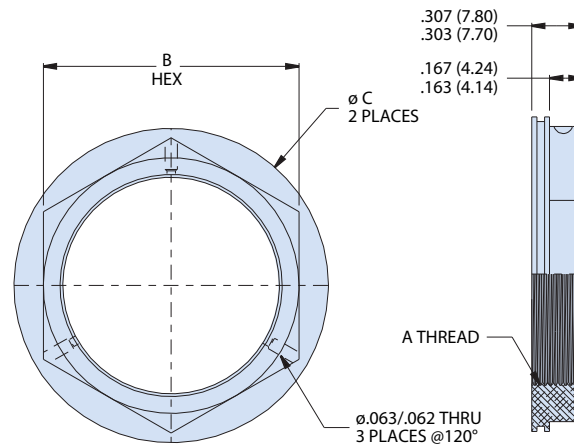


**MIL-DTL-38999 Series III Type**

**809-531 Hex Jam Nut with Anti-Rotation Feature**

HOW TO ORDER			
<b>Sample Part Number</b>	809-531	-M	25
<b>Basic Number</b>	809-531 Hex Jam Nut with Anti-Rotation Feature		
<b>Material/Finish</b>	C = Black Anodize Finish, Aluminum M = Electroless Nickel, Aluminum NF = Olive Drab Cadmium Over Electroless Nickel Finish, Aluminum ZN = Zinc-Nickel/O. D. Over Electroless Nickel, Aluminum Z1 = Passivate, Stainless Steel ZL = Electrodeposited Nickel, Stainless Steel		
<b>Shell Size</b>	See Dimensions Table		



Shell Size	A Thread Metric 0.100R	ø B		ø C	
		in	mm	in	mm
11	M20 X 1.0-6H	1.000	25.40	1.247	31.67
13	M25 X 1.0-6H	1.188	30.18	1.497	38.02
15	M28 X 1.0-6H	1.312	33.32	1.724	43.79
17	M32 X 1.0-6H	1.438	36.53	1.805	45.85
19	M35 X 1.0-6H	1.562	39.67	1.970	50.04
21	M38 X 1.0-6H	1.688	42.88	2.095	53.21
23	M41 X 1.0-6H	1.812	46.02	2.215	56.26
25	M44 X 1.0-6H	2.000	50.80	2.460	62.48