



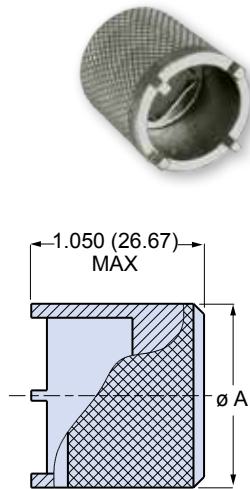
# Accessories and Tools



## 600-192 Spanner Nut and 600-202 Spanner Tool

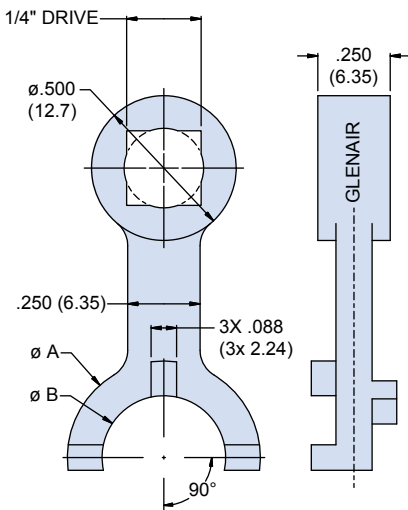
### 600-192 SPANNER NUT TIGHTENING TOOL

Spanner nut tool fits front panel mount or rear panel mount jam nuts. Heat-treated steel, nickel plated.



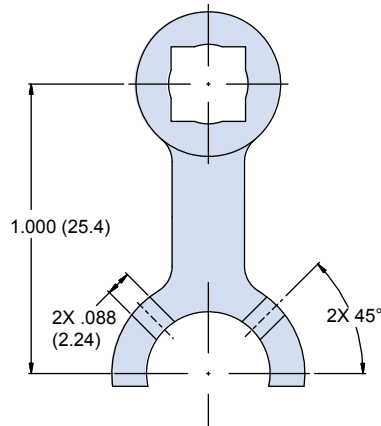
Shell Size	Spanner Tool Part Number	Ø A		Drive Square	Recommended Torque (In-Lbs.)	
		In.	mm.		Min	Max
B	<a href="#">600-192-B</a>	.412	10.46	3/16"	8	13
C	<a href="#">600-192-C</a>	.432	10.97	3/16"	13	18
D	<a href="#">600-192-D</a>	.451	11.46	1/4"	13	18
E	<a href="#">600-192-E</a>	.471	11.96	1/4"	13	18
F	<a href="#">600-192-F</a>	.491	12.47	1/4"	16	21
G	<a href="#">600-192-G</a>	.510	12.95	1/4"	16	21
H	<a href="#">600-192-H</a>	.549	13.94	1/4"	20	25
J	<a href="#">600-192-J</a>	.589	14.96	1/4"	20	25
K	<a href="#">600-192-K</a>	.608	15.44	1/4"	20	25
L	<a href="#">600-192-L</a>	.648	16.46	3/8"	23	28

### 600-202 SPANNER TOOL FOR FRONT PANEL MOUNT JAMNUT



Tool Size	Spanner Tool Part Number	Dimensions					Recommended Torque Value in Lbs	
		Ø A		Ø B		Jam Nut Thd Size Reference	Min	Max
		In.	mm.	In.	mm.			
B	<a href="#">600-202-B</a>	0.572	14.53	0.332	8.43	M7.0	8	13
C	<a href="#">600-202-C</a>	0.590	14.99	0.350	8.89	M7.5	13	18
D	<a href="#">600-202-D</a>	0.610	15.49	0.370	9.40	M8.0	13	18
E	<a href="#">600-202-E</a>	0.629	15.98	0.389	9.88	M8.5	13	18
F	<a href="#">600-202-F</a>	0.647	16.43	0.407	10.34	M9.0	16	21
G	<a href="#">600-202-G</a>	0.667	16.94	0.427	10.85	M9.5	16	21
H	<a href="#">600-202-H</a>	0.705	17.91	0.465	11.81	M10.5	20	25
J	<a href="#">600-202-J</a>	0.745	18.92	0.505	12.83	M11.5	20	25
K	<a href="#">600-202-K</a>	0.763	19.38	0.523	13.28	M12.0	20	25
L	<a href="#">600-202-L</a>	0.803	20.40	0.563	14.30	M13.0	23	28

Spanner nut tool fits front panel mount jam nuts. Alloy steel, nickel plated.



E