



Threaded Coupling Cordset



886-021 and 886-022 Single-Ended Plug Cordset

886-021 AND 886-022 THREADED PLUG WITH NYLON OVERBRAIDED OR POLYURETHANE JACKET



Overmolded threaded plug cordsets feature abrasion resistant extruded polyurethane jackets or ultraflexible nylon overbraid. Polyamide overmold, tinned copper braid shield. High strength silver-coated copper alloy conductors, crosslinked ETFE insulation. Wire size depends on contact size. Size #23 contacts have #24 AWG wire, 3 amp micropins have #26 AWG wire, and 1 amp nanopins have #30 AWG wire.

How To Order		886-022P	A	-B7N	-M	-18
Sample Part Number						
Series	886-021P = Threaded coupling plug with shielded, nylon overbraid 886-022P = Threaded coupling plug with shielded, polyurethane jacket					
Insert Style	A = Unshrouded contacts B = Shrouded contacts are recessed within the insulator					
Shell Size and Insert Arrangement ¹	See Shell Size and Insert Arrangement Table					
Shell Material/Finish ²	M = Aluminum/electroless nickel RoHS compliant ZR = Aluminum/zinc-nickel, non-reflective with RoHS compliant black chromate MT = Aluminum/nickel-PTFE RoHS compliant ZMT = Stainless steel/nickel-PTFE RoHS compliant					
Wire Length	18 = 18 inches					

MOD-686 POLARIZING OPTIONS

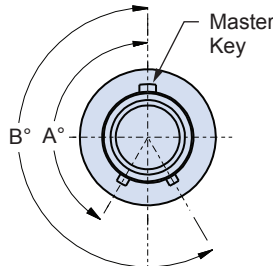
Standard SuperFly® connectors have a single master key. Versions with three keys are also available if alternate key positions are required. Add suffix code 686 to the part number per the following example: 886-021RA-B7N-M-18-**686A**

WIRE GAUGES PER CONTACT

- 1A. contact (Nano) - 30 AWG
- 3A. contact (Micro) - 26 AWG
- 5A. contact (Size 23) - 24 AWG

Plug Alternate Key Positions

Suffix Code	A°	B°
686A	150°	210°
686B	75°	210°
686C	95°	230°
686D	140°	275°
686E	75°	275°
686F	95°	210°



Glenair can also fulfill multi-branch cordset requests. Contact the factory to find out more about our capabilities.





Threaded Coupling Cordset

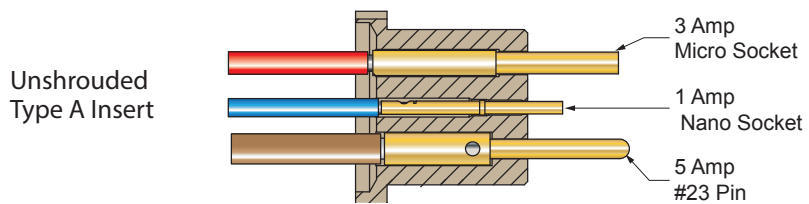
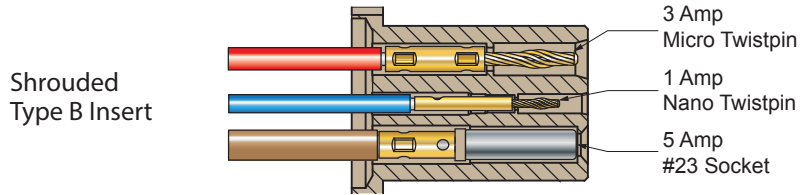
886-021 and 886-022

Single-Ended Plug Cordset



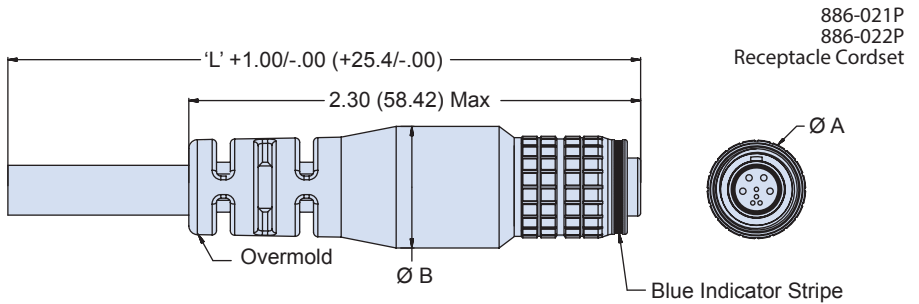
ABOUT SHROUDED AND UNSHROUDED SUPERFLY® CONFIGURATIONS

Shrouded contacts are recessed within the insert. Unshrouded contacts extend from the insert face. Shrouded inserts contain 1 amp and 3 amp Twistpin contacts along with 5 amp socket contacts. Unshrouded inserts contain 1 amp and 3 amp sockets and 5 amp pin.



Shell Size and Insert Arrangements			
Insert Arrangements	No. of Contacts		
	#23 5A.	Micro 3A.	Nano 1A.
B7N	—	—	7
C10N	—	—	10
C2M2N	—	2	2
D3M	—	3	—
D2W2N	2	—	2
E3W	3	—	—
E4M	—	4	—
E19N	—	—	19
E4M4N	—	4	4
F4W	4	—	—
F7M	—	7	—
F22N	—	—	22
F4M8N	—	4	8
F4W4N	4	—	4
G7W	7	—	—
G10M	—	10	—
G31N	—	—	31
G6M10N	—	6	10
G6M12N	—	6	12
H10W	10	—	—
H37N	—	—	37
H6W14N	6	—	14
J44N	—	—	44
J7W19N	7	—	19
K19M	—	19	—
K13M19N	—	13	19
L22M	—	22	—

First letter of contact arrangement represents connector shell size. As in this example **K13M19N**



Shell Size	Dimensions			
	A Max OD		B Max OD	
	In	mm	In	mm
B	.365	9.27	.470	11.9
C	.385	9.78	.495	12.6
D	.405	10.29	.510	13.0
E	.420	10.67	.535	13.6
F	.440	11.18	.555	14.1
G	.460	11.68	.575	14.6
H	.500	12.70	.615	15.6
J	.540	13.72	.640	16.3
K	.560	14.22	.665	16.9
L	.600	15.24	.700	17.8

NOTES

1. See Section A for insert arrangement layouts and PCB footprints
2. See Section A for additional finish options

