

882-006 Cable Receptacle, Threaded Coupling, 40GbE



40GbE. Ultraminiature. High performance. 882-006 SuperFly Datalink connectors have one, El Ochito® octaxial contact housing eight socket contacts. Compatible with #24 to #28 AWG Category 6A and 8 Ethernet cable. Supplied as unassembled kit. Terminate wires to contacts with crimp tool. M8.5 metric mating thread. Internal O-ring seals to mating plug. Gold-plated interface spring assures low shell-to-shell resistance. Braided cable shield terminates to connector with supplied bushing. **Mates to 882-003 plug.**

- SIZE AND WEIGHT SAVING**
- Smallest 40GbE aerospace-grade connector
 - Integral strain relief and cable seal
 - High density contacts
- HARSH ENVIRONMENT**
- EMI protection
 - Shock and vibration
 - Corrosion resistance

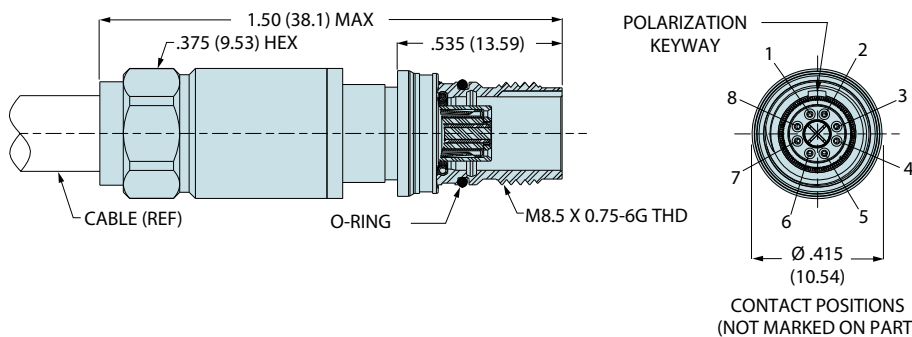
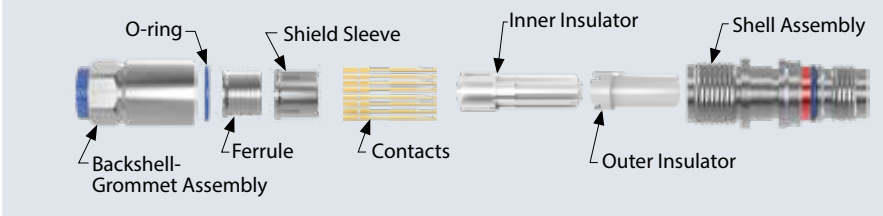
How To Order Cable Receptacle			
Sample Part Number	882-006	-M	-01
Series	882-006 = Cable Receptacle		
Shell Material and Finish	M = Aluminum / Electroless Nickel		
	MT = Aluminum / Nickel-PTFE		
	ZR = Aluminum / Black Zinc-Nickel		
	Z2 = Aluminum / Aluminum Gold		
	Z1 = Stainless Steel / Nickel-PTFE		
Cable Dash No. (See Table I)	-01 thru -09; Follow Assembly Instruction A880001-(dash no)		

Table I: Cable Accommodated

Dash No.	Cable Part No.	Wire Size (AWG)	Cable Type
-01	963-003-26	26	Cat 6A 10 GBase-T
-02	963-033-26	26	
-03	963-037-24	24	
-04	963-033-24	24	
-05	963-003-24	24	
-06	963-033-28	28	Cat 8 40 GBase-T
-07	963-132-26	26	
-08	963-132-24	24	
-09	963-135-26	26	

882-006 Components

Connector is supplied unassembled. Assembly instructions are packaged with kit.



Specifications
■ Operating temp.: -65° to +175°C
■ Impedance: 100 ohms
■ DWV: 500 Vrms unmatd
■ Current Rating: 1.5 A
■ IR: 1000 MΩ min.
■ Durability: 2000 mating cycles
■ Ingress protection: IP67

Construction
■ Shell, backshell: aluminum alloy or stainless steel
■ Insulators: high-grade rigid dielectric
■ Contacts: copper alloy, 50 microinches gold over nickel plating
■ Grommet: fluorosilicone
■ O-rings: fluorosilicone
■ EMI spring: stainless steel, gold plated
■ Shield sleeve, ferrule, spline: copper alloy, electroless nickel plated

Contact Crimp Tools	
<p>Hand Crimp Tool</p> <p>809-015 (M22520/2-01)</p>	<p>Positioner for Hand Crimp Tool</p> <p>859-101 (K1906)</p>

El Ochito® White