

8571-0038 Threaded Coupling Cat 8, SuperFly to RJ45, Aerospace Grade



Flight-grade cable. Shielded. Category 8. RJ45 modular plug. Save assembly time and cost with pre-wired patch cords. One end is Series 882 SuperFly Datalink threaded coupling Octaxial connector. Other end is shielded RJ45 modular plug. Flight grade cable meets AS6070/6. Fluoropolymer cable jacket, 26 or 24 AWG conductors. Data pairs have individual foil shields, overall shield is silver-plated copper braid.

SIZE AND WEIGHT SAVING

- Ultra small .415" (10.5 mm.) diameter coupling nut
- Integral backshell and cable seal

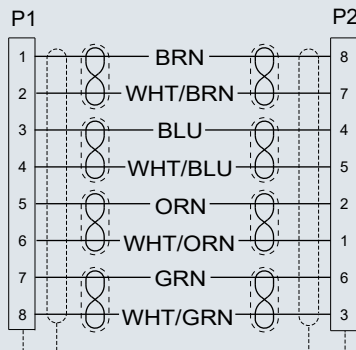
LOWER INSTALLED COST

- Factory-terminated
- 100% tested

FLIGHT GRADE CABLE

- AS6070/6 qualified cable

Wiring Diagram



Specifications

- Operating temp.: -40° to +85°C
- Impedance: 100 ohms
- DWV: 500 Vrms untested
- Current Rating: 1.5 A
- IR: 200 MΩ min.

Cable Construction

- Refer to applicable cable drawing

SuperFly Datalink Construction

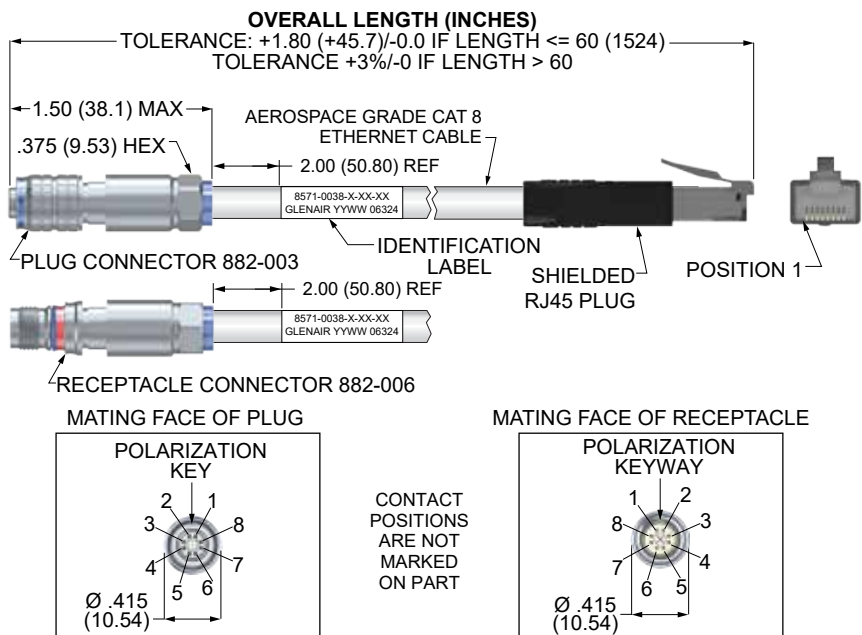
- **Shell, backshell:** aluminum alloy or SST
- **Insulators:** high-grade rigid dielectric
- **Contacts:** copper alloy, 50 microinches gold over nickel plating
- **Grommet, O-ring :** fluorosilicone
- **Shield sleeve, ferrule, spline:** copper alloy, electroless nickel plated

RJ45 Construction

- **Contact housing:** polycarbonate, UL94V-0
- **Contacts:** copper alloy, 50 microinches gold in contact area
- **Connector housing :** nickel-plated zinc alloy

How To Order SuperFly Datalink Connector to RJ45 Plug Patchcord

Sample Part Number	8571-0038	-M	-01	-24
Product	8571-0038 = SuperFly Datalink Patch Cord, Threaded Coupling Plug or Receptacle to RJ45			
Shell Finish	M = Electroless Nickel (aluminum shell) MT = Nickel-PTFE (aluminum shell) ZR = Black Zinc-Nickel (aluminum shell) ZZ = Gold (aluminum shell) ZMT = Nickel-PTFE (stainless steel shell)			
Connector and Cable Type	01 = Plug (882-003-X-06); Cable 963-132-26 02 = Receptacle (882-006-X-06); Cable 963-132-26 03 = Plug (882-003-X-07); Cable 963-132-24 04 = Receptacle (882-006-X-07); Cable 963-132-24 05 = Plug (882-003-X-08); Cable 963-135-26 06 = Receptacle (882-006-X-08); Cable 963-135-26			
Overall Length	Length in Inches (12 inch minimum)			



El Ochoito® White