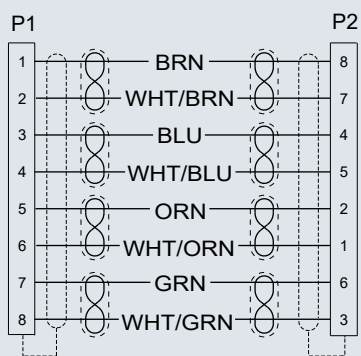


8571-0016 Threaded Coupling, SuperFly to RJ45, Aerospace Grade



Wiring Diagram



Specifications

- Operating temp.: -40° to +85°C
- Impedance: 100 ohms
- DWV: 500 Vrms unmatd
- Current Rating: 1.5 A
- IR: 200 MΩ min.

Cable Construction

- 4 pair, Cat 6A, 100 ohm, S/FTP, IAW SAE AS6070/6 P/N 963-033-26
- Conductors: 26 AWG, stranded, silver-plated
- Shield: Al/polyamide foil, silver plated braid
- Jacket: fluoropolymer, white

SuperFly Datalink Construction

- Shell, backshell: aluminum alloy or SST
- Insulators: high-grade rigid dielectric
- Contacts: copper alloy, 50 microinches gold over nickel plating
- Grommet, O-ring: fluorosilicone
- Shield sleeve, ferrule, spline: copper alloy, electroless nickel plated

RJ45 Construction

- Contact housing: polycarbonate, UL94V-0
- Contacts: copper alloy, 50 microinches gold in contact area
- Connector housing: nickel-plated zinc alloy

Flight-grade cable. Shielded. Category 6A. RJ45 modular plug. Save assembly time and cost with pre-wired patch cords. One end is Series 882 SuperFly Datalink threaded coupling Octaxial connector. Other end is shielded RJ45 modular plug. Flight grade cable meets AS6070/6. Fluoropolymer cable jacket, 26 AWG conductors. Data pairs have individual foil shields, overall shield is silver-plated copper braid.

SIZE AND WEIGHT SAVING

- Ultra small .415" (10.5 mm.) diameter coupling nut
- Integral backshell and cable seal

LOWER INSTALLED COST

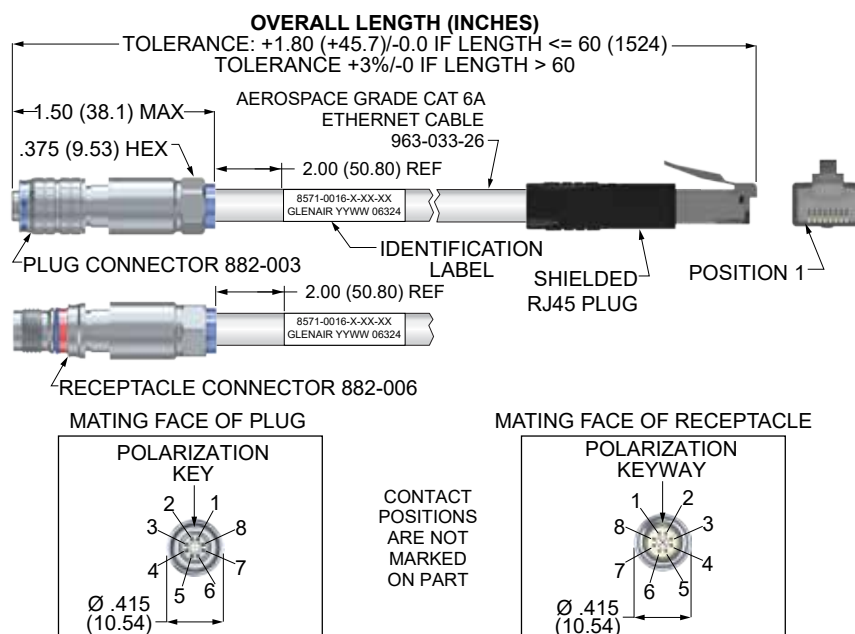
- Factory-terminated
- 100% tested

FLIGHT GRADE CABLE

- AS6070/6 qualified cable

How To Order SuperFly Datalink Connector to RJ45 Patch Cord

Sample Part Number	8571-0016	-M	-01	-24
Product	8571-0016 = SuperFly Datalink Patch Cord Assembly, Threaded Coupling Connector to RJ45			
Shell Finish	M = Electroless Nickel (aluminum shell) MT = Nickel-PTFE (aluminum shell) ZR = Black Zinc-Nickel (aluminum shell) Z2 = Gold (aluminum shell) ZMT = Nickel-PTFE (stainless steel shell)			
SuperFly Datalink Connector Type	01 = Plug 882-003; Cable 963-033-26 02 = Receptacle 882-006; Cable 963-033-26			
Overall Length	Length in Inches (12 inch minimum)			



El Ochito® White