

882-001 Cable Plug, Push-Pull QDC Coupling, 40GbE



- SIZE AND WEIGHT SAVING**
- Smallest 40GbE aerospace-grade connector
 - Integral strain relief and cable seal
 - High density contacts
- HARSH ENVIRONMENT**
- EMI protection
 - Shock and vibration
 - Corrosion resistance

Table I: Cable Accommodated

Dash No.	Wire Size (AWG)	Cable Part No.	Cable Rating
-01	26	963-003-26	Cat 6A 10 GBase-T
-02	26	963-033-26	
-03	24	963-037-24	
-04	24	963-033-24	
-05	24	963-003-24	
-06	28	963-033-28	Cat 8 40 GBase-T
-07	26	963-132-26	
-08	24	963-132-24	
-09	26	963-135-26	

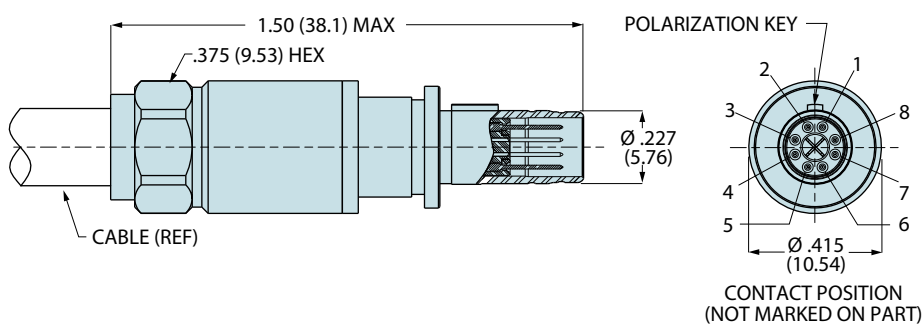
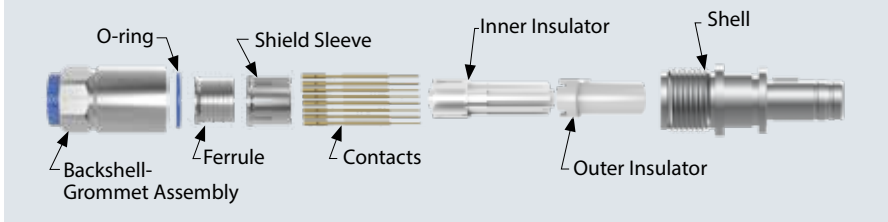
40GbE. Ultraminiature. High performance. 882-001 Superfly Datalink connectors have one, El Ochito® octaxial contact housing eight pin contacts. Compatible with #24 to #28 AWG Category 6A and 8 Ethernet cable. Supplied as unassembled kit. Terminate wires to contacts with crimp tool (purchased separately). 882-001 plugs feature push-pull mating and demating. Braided cable shield terminates to connector with supplied bushing. *Mates to 882-002, -005, -008, -038 receptacles.*

How To Order Cable Plug

Sample Part Number	882-001	-M	-01
Series	882-001 = Cable Plug		
Shell Material and Finish	M = Aluminum / Electroless Nickel MT = Aluminum / Nickel-PTFE ZR = Aluminum / Black Zinc-Nickel Z2 = Aluminum / Aluminum Gold Z1 = Stainless Steel / Nickel-PTFE		
Cable Dash No. (See Table I)	-01 thru -09; Follow Assembly Instruction A880001-(dash no)		

882-001 Components

Connector is supplied unassembled. Assembly instructions are packaged with kit.



- Specifications**
- **Operating temp.:** -65° to +175°C
 - **Impedance:** 100 ohms
 - **DWV:** 500 Vrms unmated
 - **Current Rating:** 1.5 A
 - **IR:** 1000 MΩ min.
 - **Durability:** 2000 mating cycles
 - **Ingress protection:** IP67

- Construction**
- **Shell, backshell:** aluminum alloy or stainless steel
 - **Insulators:** high-grade rigid dielectric
 - **Contacts:** copper alloy, 50 microinches gold over nickel plating
 - **Grommet:** fluorosilicone
 - **O-ring:** fluorosilicone
 - **Shield sleeve, ferrule, spline:** copper alloy, electroless nickel plated

- Contact Crimp Tools**
- | | |
|--|--|
| <p>Crimp Tool</p> <p>809-015
(M22520/2-01)</p> | <p>Positioner for Hand Crimp Tool</p> <p>859-101
(K1906)</p> |
|--|--|

El Ochito® White