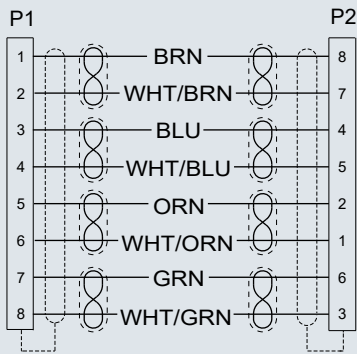




8571-0035 QDC Patch Cord, SuperFly to RJ45, Cat 8 Ethernet



Wiring Diagram



Specifications

- Operating temp.: -40° to +85°C
- Impedance: 100 ohms
- DWV: 500 Vrms unmatd
- Current Rating: 1.5 A
- IR: 200 MΩ min.

Cable Construction

- 4 pair, Cat 8, 100 ohm, S/FTP, IAW SAE AS6070/6 P/N 963-132-26, 963-132-24, 963-135-26
- Conductors:** stranded, silver-plated
- Shield:** Al/polyamide foil, silver plated braid
- Jacket:** fluoropolymer, white

SuperFly Datalink Construction

- Shell, backshell:** aluminum alloy or SST
- Insulators:** high-grade rigid dielectric
- Contacts:** copper alloy, 50 microinches gold over nickel plating
- Grommet, O-ring :** fluorosilicone
- Shield sleeve, ferrule, spline:** copper alloy, electroless nickel plated

RJ45 Construction

- Contact housing:** polycarbonate, UL94V-0
- Contacts:** copper alloy, 50 microinches gold in contact area
- Connector housing :** nickel-plated zinc alloy

Shielded. Cat 8. Flight-grade cable. RJ45 modular plug. 100% tested. Save assembly time and cost with pre-wired patch cords. One end is Series 882 SuperFly Datalink push-pull QDC connector. Other end is shielded RJ45 modular plug. Flight grade cable meets AS6070/6. Fluoropolymer cable jacket, 26 or 24 AWG conductors. Data pairs have individual foil shields, overall shield is silver-plated copper braid.

SIZE AND WEIGHT SAVING

- <1/2 inch (12.7 mm.) diameter
- Push-pull quick-disconnect

LOWER INSTALLED COST

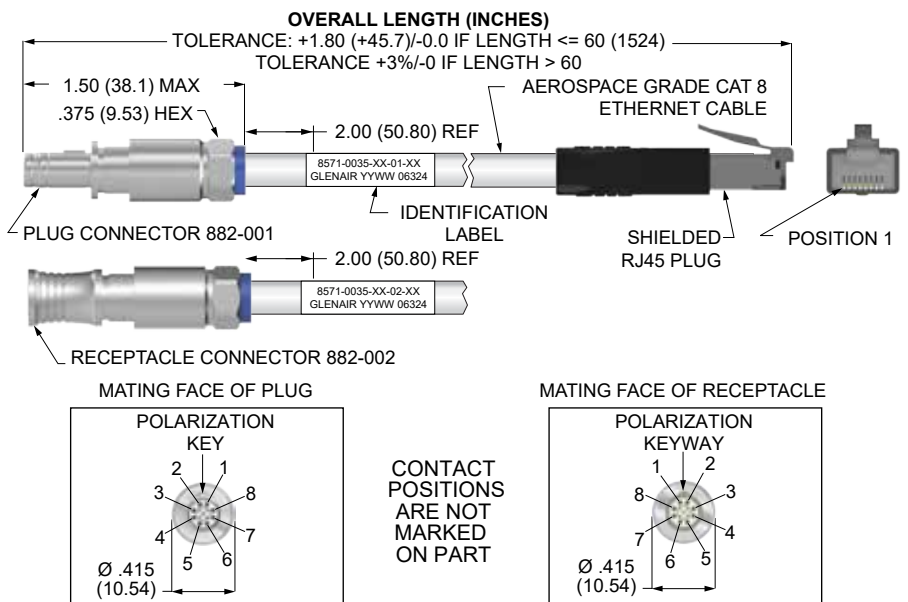
- Factory-terminated
- 100% tested

FLIGHT GRADE CABLE

- AS6070 approved

How To Order SuperFly Datalink to RJ45 Patch Cord

Sample Part Number	8571-0035	-MT	-02	-36
Product	8571-0035 = SuperFly Datalink patch cord assembly, Cat 8 QDC Plug or Receptacle to RJ45			
Shell Finish	M = Electroless Nickel (aluminum shell) MT = Nickel-PTFE (aluminum shell) ZR = Black Zinc-Nickel (aluminum shell) ZZ = Gold (aluminum shell) ZMT = Nickel-PTFE (stainless steel shell)			
SuperFly Datalink Connector Type	01 = Plug 882-001; cable 963-132-26 02 = Receptacle 882-002; cable 963-132-26 03 = Plug 882-001; cable 963-132-24 04 = Receptacle 882-002; cable 963-132-24 05 = Plug 882-001; cable 963-135-26 06 = Receptacle 882-002; cable 963-135-26			
Overall Length	Length in Inches (12 inch minimum)			



El Ochoito® White