

# 8571-0033 Pre-Wired QDC Cordset, Single-Ended Cat 8 Ethernet



**Lower installed cost.** Save assembly time and cost with pre-wired SuperFly Datalink “White” assemblies for 40Gb Ethernet. These single-ended push-pull cordsets are terminated to Category 8 flight-grade shielded cable. Cable options include 24 AWG or 26 AWG stranded conductors. Series 882 QDC connectors are designed for demanding aerospace environments.

### SIZE AND WEIGHT SAVING

- <1/2 inch (12.7 mm.) diameter
- Push-pull quick-disconnect

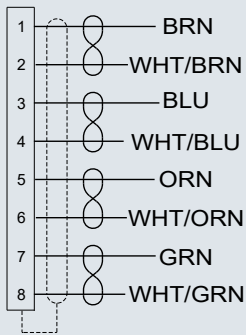
### LOWER INSTALLED COST

- Factory-terminated SuperFly connector

### HARSH ENVIRONMENT

- AS6070 type aerospace grade Category 8 cable

### Wiring Diagram



### How To Order SuperFly Datalink Single-ended Cordset

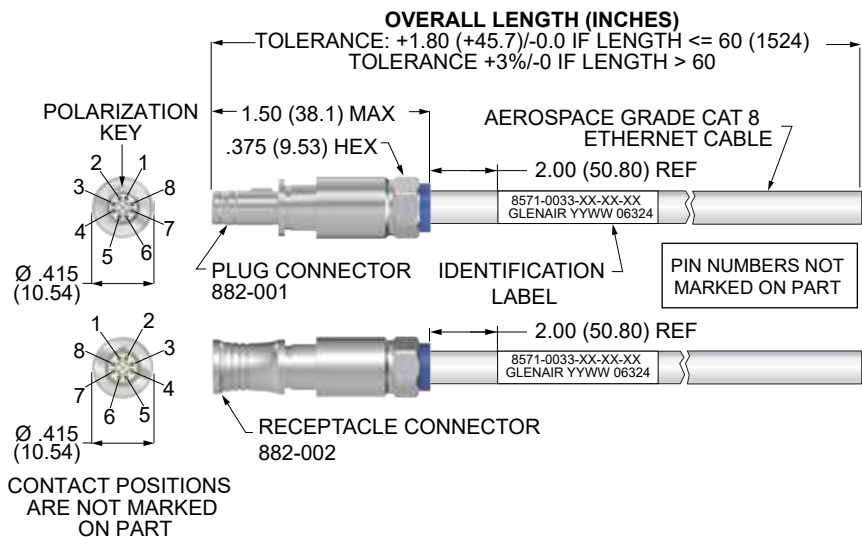
Sample Part Number	8571-0033	-MT	-05	-60
<b>Product</b>	8571-0033 = Pre-wired SuperFly Cat 8, QDC, Single-ended Ethernet			
<b>Shell Finish</b>	<b>M</b> = Electroless Nickel (aluminum shell) <b>MT</b> = Nickel-PTFE (aluminum shell) <b>ZR</b> = Black Zinc-Nickel (aluminum shell) <b>Z2</b> = Gold (aluminum shell) <b>ZMT</b> = Nickel-PTFE (stainless steel shell)			
<b>Order Code Connector Type, Wire Size and Cable Type</b>	<b>01</b> = Plug, #26 AWG, S/FTP P/N 963-132-26 <b>02</b> = Receptacle, #26 AWG, S/FTP P/N 963-132-26 <b>03</b> = Plug, #24 AWG, S/FTP P/N 963-132-24 <b>04</b> = Receptacle, #24 AWG, S/FTP P/N 963-132-24 <b>05</b> = Plug, #26 AWG, S/FTP P/N 963-135-26 <b>06</b> = Receptacle, #26 AWG, S/FTP P/N 963-135-26			
<b>Overall Length</b>	<b>Length in Inches</b> (12 inch minimum)			

### Construction

- **Shell, backshell:** aluminum alloy or stainless steel
- **Insulators:** high-grade rigid dielectric
- **Contacts:** copper alloy, 50 microinches gold over nickel plating
- **Grommets:** fluorosilicone
- **O-rings:** fluorosilicone
- **Shield sleeve, ferrule, spline:** copper alloy, electroless nickel plated
- **Cable:** aerospace-grade fluoropolymer per AS6070.

### Specifications

- **Operating temp.:** -65° to +175°C
- **Impedance:** 100 ohms
- **DWV:** 500 Vrms unmatd
- **Current Rating:** 1.5 A
- **IR:** 200 MΩ min.
- **Durability:** 2000 mating cycles



CONTACT POSITIONS ARE NOT MARKED ON PART

El Ochoito® White