

# 8573-0041 Threaded Coupling Corsdet, Plug-to-Receptacle, SATA 3.0



**Lower installed cost. 100% tested.**  
 Save assembly time and cost with pre-wired SuperFly Datalink "Red" Octaxial assemblies for SATA 3.0 applications. These back-to-back cordsets are terminated to 100 ohm cable. Series 882 connectors are designed for demanding aerospace environments subject to high vibration, temperature extremes and moisture.

**SIZE AND WEIGHT SAVING**

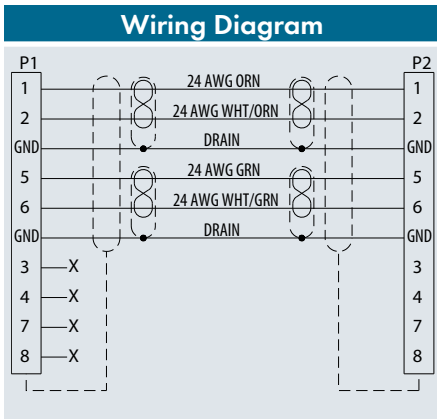
- <1/2 inch (12.7 mm.) diameter
- Secure threaded coupling

**LOWER INSTALLED COST**

- Factory-terminated
- 100% tested

**HARSH ENVIRONMENT**

- Vibration, EMI, moisture, and temperature



### How To Order Plug-to-Receptacle Corsdet

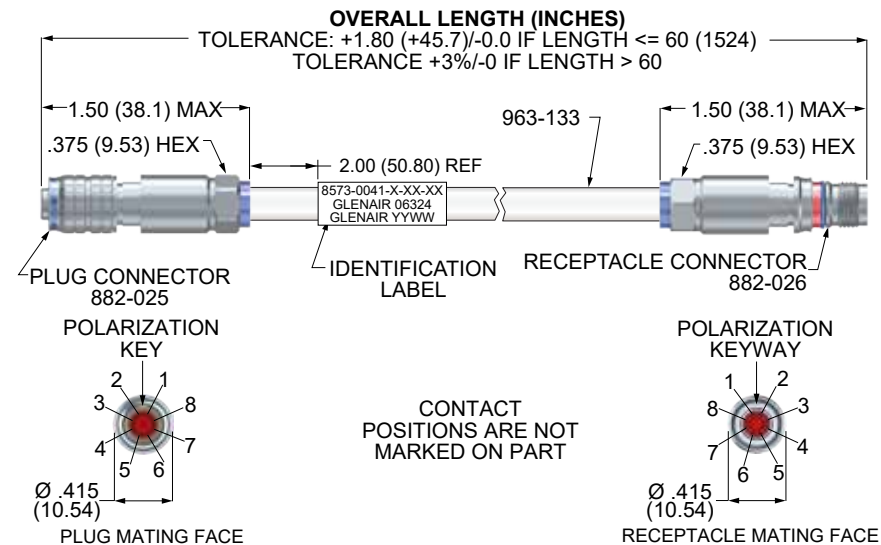
<b>Sample Part Number</b>	<b>8573-0041</b>	<b>- M</b>	<b>-01</b>	<b>-36</b>
<b>Product</b>	8573-0041 = Pre-wired Plug to Receptacle Cordset			
<b>Shell Finish</b>	<b>M</b> = Electroless Nickel (aluminum shell) <b>MT</b> = Nickel-PTFE (aluminum shell) <b>ZR</b> = Black Zinc-Nickel (aluminum shell) <b>ZZ</b> = Gold (aluminum shell) <b>ZMT</b> = Nickel-PTFE (stainless steel shell)			
<b>Cable Type</b>	See Table I for cable order code			
<b>Overall Length</b>	<b>Length in Inches</b> (12 inch minimum)			

### Table I: Cable Order Code

Order Code	Plug P/N	Receptacle P/N	Cable
<b>01</b>	882-025-X-03	882-026-X-03	963-133

- ### Construction
- **Shell, coupling nut, backshell:** aluminum alloy or stainless steel
  - **Insulators:** high-grade rigid dielectric
  - **Contacts:** copper alloy, 50 microinches gold over nickel plating
  - **Grommets:** fluorosilicone
  - **O-rings:** fluorosilicone
  - **Shield sleeve, ferrule:** copper alloy, electroless nickel plated

- ### Specifications
- **Operating temperature:**  
 Connector: -65°C to +175°C  
 Cable: -55°C to +200°C
  - **DWV:** 300 Vrms
  - **Current Rating:** 1.5 A
  - **IR:** 100 MΩ min.



El Ochito® Red