

882-009 Cable Plug, Push-Pull QDC Coupling, USB 3.0



SuperSpeed USB. Ultraminiature. High performance. 882-009 SuperFly Datalink connectors have one, ElOchito® octaxial contact housing eight pin contacts. Compatible with aerospace-grade 90 ohm SuperSpeed USB cable. Supplied as unassembled kit. Terminate wires to contacts with crimp tool. 882-009 plugs feature push-pull mating and demating. Braided cable shield terminates to connector with supplied bushing. **Mates to 882-010, -013, -016, and -039 receptacles.**

How To Order Cable Plug			
Sample Part Number	882-009	-M	-01
Series	882-009 = Cable Plug		
Shell Material and Finish	M = Aluminum / Electroless Nickel MT = Aluminum / Nickel-PTFE ZR = Aluminum / Black Zinc-Nickel Z2 = Aluminum / Aluminum Gold Z1 = Stainless Steel / Nickel-PTFE		
Cable Dash No. (See Table I)	-01 (AI88003) and -02 (AI88004)		

SIZE AND WEIGHT SAVING

- Smallest 40GbE aerospace-grade connector
- Integral strain relief and cable seal
- High density contacts

HARSH ENVIRONMENT

- EMI protection
- Shock and vibration
- Corrosion resistance

882-009 Components

Connector is supplied unassembled. Assembly instructions are packaged with kit.

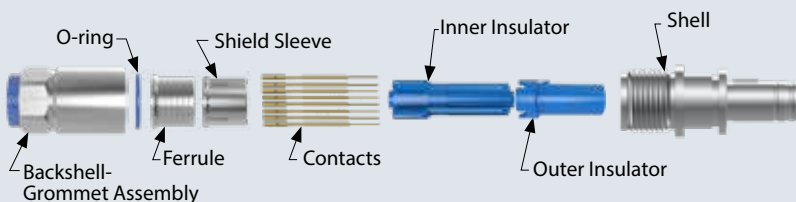
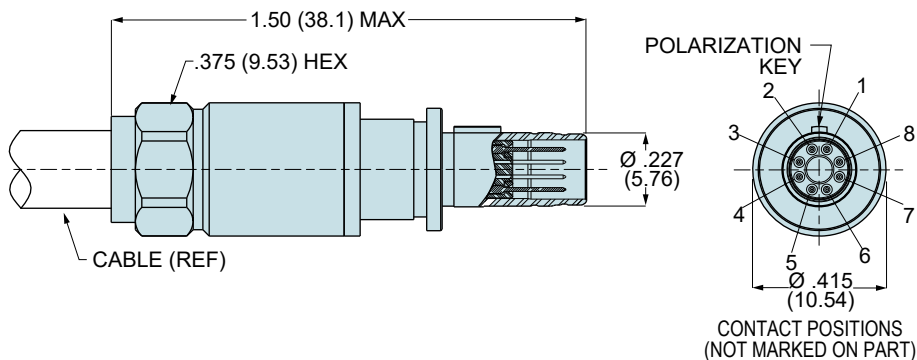


Table I: Cable Accommodated

USB 3.0 Cable			
Dash No.	Cable Part No.	Cable Type	Temp. Rating
-01	963-110	Aerospace-Grade Fluoropolymer Jacket	-65° to +200° C
-02	963-118	Commercial-Grade PVC Jacket	0° to +80° C



Specifications

- **Operating temp.:** -65° to +175°C (0 to +80°C for commercial-grade cable)
- **Impedance:** 90 ohms
- **DWV:** 500 Vrms unmated
- **Current Rating:** 1.5 A
- **IR:** 1000 MΩ min.
- **Durability:** 2000 mating cycles
- **Ingress protection:** IP67

Construction

- **Shell, backshell:** aluminum alloy or stainless steel
- **Insulators:** low dielectric thermoplastic
- **Contacts:** copper alloy, 50 microinches gold over nickel plating
- **Grommet:** fluorosilicone
- **O-ring:** fluorosilicone
- **Shield sleeve, ferrule:** copper alloy, electroless nickel plated

Contact Crimp Tools

Hand Crimp Tool



809-015
(M22520/2-01)

Positioner for Hand Crimp Tool



859-101
(K1906)