



COMPATIBLE WITH USB 2.0 AND 1.1
Super ITS - USB Type A SuperSeal™
Rugged Field Connectors



Environmental, shielded, reverse-bayonet connectors



Super ITS 343: receptacle with USB 2.0 Type A mating interface and solder cup contacts

Super ITS 345, USB 2.0 connectors enable easy solder cup wire termination. Ruggedized, reverse-bayonet plug connectors use USB male plugs while receptacles use USB female ports through the mating interface. Rugged reverse bayonet mating provides reliable intermateability while the locking three-pin bayonet coupler prevents demating under high shock and high vibration conditions.

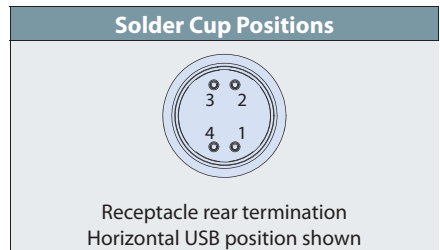
SUPER ITS: RUGGEDIZED RJ45 ETHERNET AND USB

Performance Specifications	
Material and Finish	
Material/Finish	See How to Order table
Solder Cup Contacts	Copper alloy, gold plated
USB Coupler Housing	UL94V-0 Compliant ABS or PPS
Grommet, Peripheral Seal, Interfacial Seal, O-ring	Blended fluorosilicone silicone elastomer, 30% silicone per ZZ-R-765, 70% fluorosilicone per MIL-R-25988
Electrical Specifications	
Data Rate	480 MBps
Power Usage	500 milliamps (mA)
Current Rating	1.5 Amps,
D.W.V.	500 VAC
I.R.	1000 MegOhms
Cabling Length	5.0 Meters Max
Shielding	Continuous through coupler or continuous coupler to shell
Environmental/Mechanical Performance	
Sealing	IP68 mated condition, IP67 unmated condition
Operating Temperature	-40°C to +120°C
Vibration	37 g's
Mechanical Shock	300 g's
Mating Cycles	500

How To Order	
Sample Part Number:	ITS343 030 16 2 A A H F6
Series	ITS 343 = Solder cup contacts
Shell Style	See shell style table
Shell Size	16
USB Protocol	2 = USB 2.0
Front Interface	A = Type A
Rear Interface	A = Type A
USB Orientation	H = Horizontal V = Vertical
Material / Finish	Omit for aluminum / cadmium olive drab (G3) F6 = Aluminum / black electrodeposited paint F7 = Aluminum / black zinc nickel F11 = Aluminum / electroless nickel

Connector Shell Styles	
Code	Description
03	Rear panel mount, box mount receptacle with through-mount holes
07	Rear panel mount, jam-nut receptacle

USB Orientation Options			
Plugs		Receptacle	
Code H	Code V	Code H	Code V



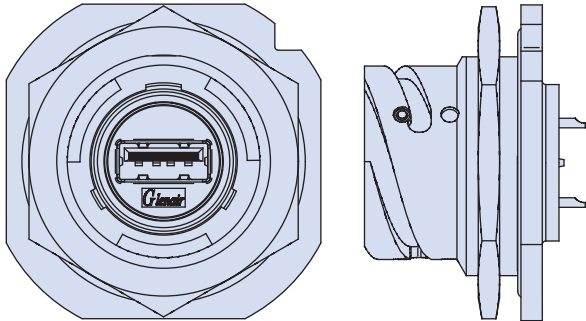


COMPATIBLE WITH USB 2.0 AND 1.1
Super ITS - USB Type A SuperSeal™
Rugged Field Connectors

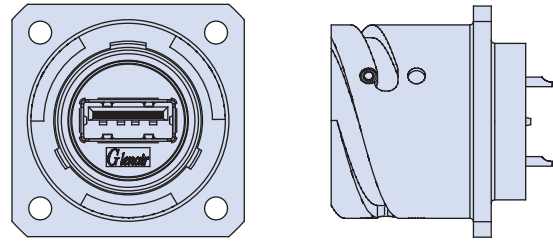


Environmental, shielded, reverse-bayonet connectors

SHELL STYLE 07: REAR PANEL MOUNT, JAM-NUT RECEPTACLE



SHELL STYLE 03: REAR PANEL WALL MOUNT RECEPTACLE WITH THROUGH HOLES



Sample Part Number

ITS343	070	16	2	A	A	H	F7
Series	Shell Style	Shell Size	USB 2.0 Protocol	Front USB Type	Rear USB Type	USB Position H or V	Material / Finish G3 (omit) F6, F7, F11

Sample Part Number

ITS343	030	16	2	A	A	H	F7
Series	Shell Style	Shell Size	USB 2.0 Protocol	Front USB Type	Rear USB Type	USB Position H or V	Material / Finish G3 (omit) F6, F7, F11

SUPER ITS: RUGGEDIZED RJ45 ETHERNET AND USB

