



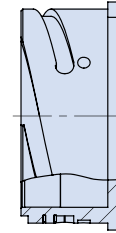
REVERSE-BAYONET QUICK-DISCONNECT ITS-NG™ Nuclear-Grade Containment Area Class 1E Connectors



Dummy Receptacles and Panel Mount Gasket

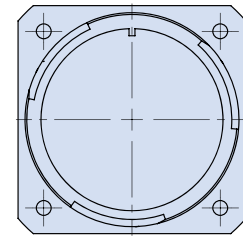
DUMMY RECEPTACLES

How To Order					
Sample Part Number	NGITB	050	FP	-32	FK1
Product Series	NGITB = Nuclear-grade Shell without Stainless Steel Studs				
Connector Shell Style	050 = Dummy Receptacle				
Mounting Holes	FP for Through Omit for Threaded				
Shell Size Designator	See Table below				
Material/Finish	FK1 = Material AISI 316L Stainless Steel, Passivated				



Shell Size & Dimensions		
Shell Size	T Threaded Holes	ØT Thru-Holes +0.2 0
10 SL	M4	3.2 (0.13)
14 S	M4	3.2 (0.13)
16 S	M4	3.2 (0.13)
16	M4	3.2 (0.13)
18	M4	3.2 (0.13)
20	M4	3.2 (0.13)

Shell Size & Dimensions		
Shell Size	T Threaded Holes	ØT Thru-Holes +0.2 0
22	M4	3.2 (0.13)
24	M4	3.7 (0.15)
28	M5	3.7 (0.15)
32	M5	4.3 (0.17)
36	M5	4.3 (0.17)
40	M5	4.3 (0.17)

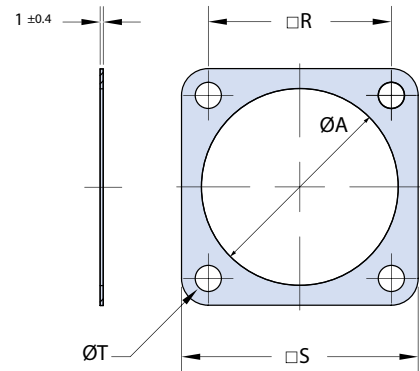


SUPER ITS: HARSH ENVIRONMENT

PANEL MOUNT RECEPTACLE GASKET

How To Order			
Sample Part Number	NGIT	40450	-XX
Product Series	NGIT = Nuclear-Grade Reverse Bayonet Coupling		
Basic Part Number	40450 = Front 40460 = Rear		
Shell Size	See Table Below		

Shell Size	Ø A +0.3		□ R ±0.2	□ S ±0.5	Ø T +0.5
	Front Mount	Rear Mount			
10SL	15.7 (0.62)	18.2 (0.72)	18.2 (0.72)	25.4 (1.00)	4.2 (0.17)
14S	22.1 (0.87)	24.6 (0.97)	23.0 (0.91)	30.0 (1.18)	4.2 (0.17)
16S - 16	25.3 (1.00)	27.4 (1.08)	24.6 (0.97)	32.5 (1.28)	4.2 (0.17)
18	28.4 (1.12)	30.8 (1.21)	27.0 (1.06)	35.0 (1.38)	4.2 (0.17)
20	31.6 (1.24)	34.2 (1.35)	29.4 (1.16)	38.0 (1.50)	4.2 (0.17)
22	34.8 (1.37)	37.4 (1.47)	31.8 (1.25)	41.0 (1.61)	4.2 (0.17)
24	38.0 (1.50)	40.9 (1.61)	34.9 (1.37)	44.5 (1.75)	4.2 (0.17)
28	44.3 (1.74)	46.7 (1.84)	39.7 (1.56)	50.8 (2.00)	5.1 (0.20)
32	50.7 (2.00)	53.4 (2.10)	44.5 (1.75)	57.0 (2.24)	5.1 (0.20)
36	57.0 (2.24)	59.6 (2.35)	49.2 (1.94)	63.5 (2.50)	5.1 (0.20)
40	62.5 (2.46)	65.5 (2.58)	55.5 (2.19)	69.9 (2.75)	5.1 (0.20)



A