

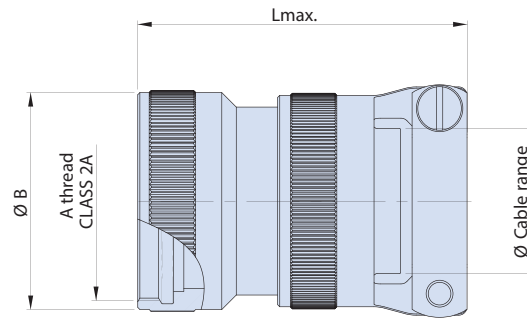


ADVANCED PERFORMANCE Super ITS-921 Reverse-Bayonet Rigid Insert, High-Ampacity Connectors Backshells



CABLE CLAMP

Provides users the benefits of an environmental sealing backshell combined with a style "C" cable clamp strain relief. Class 2A accessory thread and cable gland with three cable entry options per shell size.



Dimensions						
Shell Size	A Thread Class 2A	ØB max.	L max.	Ø Cable Range		
				Option 1	Option 2	Option 3
24	1 3/8 - 18 UNEF	40 (1.57)	80 (3.15)	11.3 (0.44) - 19 (0.75)	15.5 (0.61) - 23.8 (0.94)	23.4 (0.92) - 31.75 (1.25)
28	1 5/8 - 18 UNEF	46 (1.81)	85 (3.35)	11.3 (0.445) - 19 (.748)	15.5 (.610) - 23.8 (.937)	23.4 (.921) - 31.75 (1.250)
32	1 7/8 - 16 UN	53 (2.09)	92 (3.62)	15.5 (0.610) - 23.8 (.937)	23.4 (0.921) - 31.75 (1.250)	23.4 (.921) - 35 (1.378)
40	1 5/16 - 16 UN	64 (2.52)	120 (4.72)	23.4 (0.921) - 35 (1.378)	23.4 (0.921) - 35 (1.378)	29.9 (1.177) - 41.25 (1.624)

Material / Finish Option								
Shell Size	Ø Cable Range [mm]	F6	G3	MT	M	G2	Z1	AB
		Aluminum	Aluminum	Aluminum	Aluminum	Aluminum	Stainless Steel	Marine Bronze
		Black Electrostatic Paint	Cadmium Olive Drab	Nickel-PTFE	Electroless Nickel	Anodize Hardcoat	Passivate	Unplated
24	11.3 - 19	921-115-24F6	921-115-24G3	921-115-24MT	921-115-24M	921-115-24G2	921-115-24Z1	921-115-24AB
	15.5 - 23.8	921-116-24F6	921-116-24G3	921-116-24MT	921-116-24M	921-116-24G2	921-116-24Z1	921-116-24AB
	23.4 - 31.75	921-117-24F6	921-117-24G3	921-117-24MT	921-117-24M	921-117-24G2	921-117-24Z1	921-117-24AB
28	11.3 - 19	921-115-28F6	921-115-28G3	921-115-28MT	921-115-28M	921-115-28G2	921-115-28Z1	921-115-28AB
	15.5 - 23.8	921-116-28F6	921-116-28G3	921-116-28MT	921-116-28M	921-116-28G2	921-116-28Z1	921-116-28AB
	23.4 - 31.75	921-117-28F6	921-117-28G3	921-117-28MT	921-117-28M	921-117-28G2	921-117-28Z1	921-117-28AB
32	15.5 - 23.8	921-116-32F6	921-116-32G3	921-116-32MT	921-116-32M	921-116-32G2	921-116-32Z1	921-116-32AB
	23.4 - 31.75	921-117-32F6	921-117-32G3	921-117-32MT	921-117-32M	921-117-32G2	921-117-32Z1	921-117-32AB
	23.4 - 35	921-118-32F6	921-118-32G3	921-118-32MT	921-118-32M	921-118-32G2	921-118-32Z1	921-118-32AB
40	23.4 - 31.75	921-117-40F6	921-117-40G3	921-117-40MT	921-117-40M	921-117-40G2	921-117-40Z1	921-117-40AB
	23.4 - 35	921-118-40F6	921-118-40G3	921-118-40MT	921-118-40M	921-118-40G2	921-118-40Z1	921-118-40AB
	29.9 - 41.25	921-119-40F6	921-119-40G3	921-119-40MT	921-119-40M	921-119-40G2	921-119-40Z1	921-119-40AB

SUPER ITS: HARSH ENVIRONMENT

A

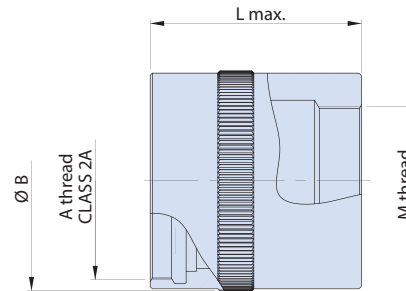


ADVANCED PERFORMANCE Super ITS-921 Reverse-Bayonet Rigid Insert, High-Ampacity Connectors Backshells



ENVIRONMENTAL SEALING BACKSHELL WITH CABLE GLAND

Provides users the benefits of an environmental sealing backshell. Class 2A accessory thread and cable gland with three cable entry options per shell size.



SUPER ITS: HARSH ENVIRONMENT

Dimensions						
Shell Size	A Thread Class 2A	ØB max.	L max.	Ø Cable Range [mm]		
				Option 1	Option 2	Option 3
24	1 3/8 - 18 UNEF	40 (1.57)	55 (2.17)	M25 x 1.5	M32 x 1.5	M36 x 1.5
28	1 5/8 - 18 UNEF	46 (1.81)	60 (2.36)	M25 x 1.5	M32 x 1.5	M36 x 1.5
32	1 7/8 - 16 UN	53 (2.09)	70 (2.76)	M32 x 1.5	M36 x 1.5	M40 x 1.5
40	1 5/16 - 16 UN	64 (2.52)	80 (3.15)	M36 x 1.5	M40 x 1.5	M50 x 1.5

Material / Finish Option								
Shell Size	Ø Cable Range [mm]	F6	G3	MT	M	G2	Z1	AB
		Aluminum	Aluminum	Aluminum	Aluminum	Aluminum	Stainless Steel	Marine Bronze
		Black Electrostatic Paint	Cadmium Olive Drab	Nickel-PTFE	Electroless Nickel	Anodize Hardcoat	Passivate	Unplated
24	M25 x 1.5	921-105-24F6	921-105-24G3	921-105-24MT	921-105-24M	921-105-24G2	921-105-24Z1	921-105-24AB
	M32 x 1.5	921-106-24F6	921-106-24G3	921-106-24MT	921-106-24M	921-106-24G2	921-106-24Z1	921-106-24AB
	M36 x 1.5	921-107-24F6	921-107-24G3	921-107-24MT	921-107-24M	921-107-24G2	921-107-24Z1	921-107-24AB
28	M25 x 1.5	921-105-28F6	921-105-28G3	921-105-28MT	921-105-28M	921-105-28G2	921-105-28Z1	921-105-28AB
	M32 x 1.5	921-106-28F6	921-106-28G3	921-106-28MT	921-106-28M	921-106-28G2	921-106-28Z1	921-106-28AB
	M36 x 1.5	921-107-28F6	921-107-28G3	921-107-28MT	921-107-28M	921-107-28G2	921-107-28Z1	921-107-28AB
32	M32 x 1.5	921-106-32F6	921-106-32G3	921-106-32MT	921-106-32M	921-106-32G2	921-106-32Z1	921-106-32AB
	M36 x 1.5	921-107-32F6	921-107-32G3	921-107-32MT	921-107-32M	921-107-32G2	921-107-32Z1	921-107-32AB
	M40 x 1.5	921-108-32F6	921-108-32G3	921-108-32MT	921-108-32M	921-108-32G2	921-108-32Z1	921-108-32AB
40	M36 x 1.5	921-107-40F6	921-107-40G3	921-107-40MT	921-107-40M	921-107-40G2	921-107-40Z1	921-107-40AB
	M40 x 1.5	921-108-40F6	921-108-40G3	921-108-40MT	921-108-40M	921-108-40G2	921-108-40Z1	921-108-40AB
	M50 x 1.5	921-109-40F6	921-109-40G3	921-109-40MT	921-109-40M	921-109-40G2	921-109-40Z1	921-109-40AB

A

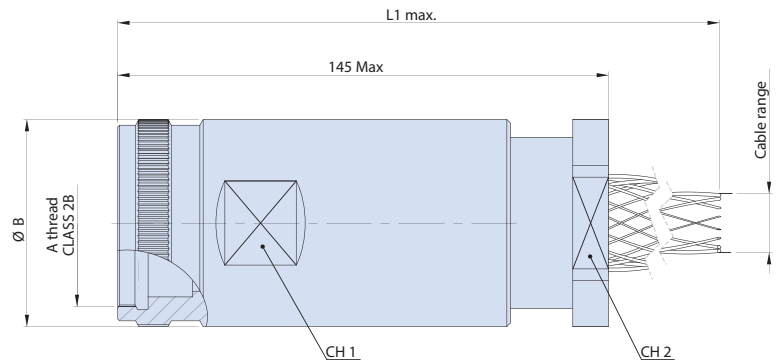
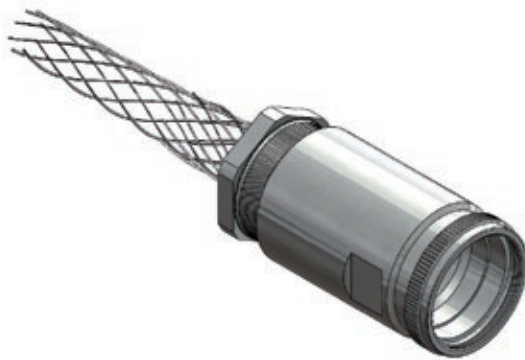


ADVANCED PERFORMANCE
**Super ITS-921 Reverse-Bayonet
 Rigid Insert, High-Ampacity Connectors**
 Backshells



WIRE MESH STRAIN RELIEF

Heavy duty backshell, straight exit, with wire mesh cable grip. Class 2B accessory thread with wrench flats for easy installation



Dimensions									
Shell Size	KG Code	Ref.	Cable Range		A Thread Class 2B	ØB Max	L1 Max.	CH 1	CH 2
			Min.	Max.					
32	KG2	MS90561-2	25.5 (1.00)	29.1 (1.15)	1 7/8 -16 UN	59 (2.32)	305 (12.01)	53 (2.09)	52 (2.05)
	KG3	MS90561-3	26.8 (1.06)	32.0 (1.26)			320 (12.60)		
	KG13	MS90561-13	30.1 (1.19)	34.1 (1.34)			335 (13.19)		
40	KG6	MS90561-6	31.0 (1.22)	34.9 (1.37)	2 5/16 - 16 UNs	69 (2.72)	360 (14.17)	63 (2.48)	62 (2.44)
	KG15	MS90561-15	34.5 (1.36)	38.5 (1.52)			385 (15.16)		
	KG19	MS90561-19	39.4 (1.55)	44.4 (1.75)			410 (16.14)		

Material / Finish Option								
Shell Size	KG Code	F6	G3	MT	M	G2	Z1	AB
		Aluminum	Aluminum	Aluminum	Aluminum	Aluminum	Stainless Steel	Marine Bronze
		Black Electrostatic Paint	Cadmium Olive Drab	Nickel-PTFE	Electroless Nickel	Anodize Hardcoat	Passivate	Unplated
32	KG2	921-123-32F6	921-123-32G3	921-123-32MT	921-123-32M	921-123-32G2	921-123-32Z1	921-123-32AB
	KG3	921-124-32F6	921-124-32G3	921-124-32MT	921-124-32M	921-124-32G2	921-124-32Z1	921-124-32AB
	KG13	921-125-32F6	921-125-32G3	921-125-32MT	921-125-32M	921-125-32G2	921-125-32Z1	921-125-32AB
40	KG6	921-126-40F6	921-126-40G3	921-126-40MT	921-126-40M	921-126-40G2	921-126-40Z1	921-126-40AB
	KG15	921-127-40F6	921-127-40G3	921-127-40MT	921-127-40M	921-127-40G2	921-127-40Z1	921-127-40AB
	KG19	921-128-40F6	921-128-40G3	921-128-40MT	921-128-40M	921-128-40G2	921-128-40Z1	921-128-40AB

SUPER ITS: HARSH ENVIRONMENT

A

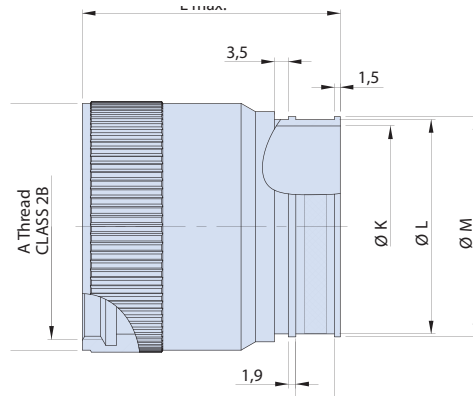


ADVANCED PERFORMANCE Super ITS-921 Reverse-Bayonet Rigid Insert, High-Ampacity Connectors Backshells



EMI/RFI BANDING ADAPTER WITH INTEGRATED SHIELD TERMINATION PORCH

Terminate cable shield to EMI/RFI banding porch using Band-Master ATS band (sold separately).



SUPER ITS: HARSH ENVIRONMENT

CableEntryDimensions			
CableEntry	ØK	ØL	ØM
14	23.8 (0.94)	27 (1.06)	28.5 (1.12)
16	27 (1.06)	30.2 (1.19)	31.8 (1.25)
18	31.8 (1.25)	34.9 (1.37)	36.5 (1.44)
19	34.9 (1.37)	38.1 (1.50)	39.7 (1.56)
20	38.1 (1.50)	41.3 (1.63)	42.8 (1.69)
23	47.6 (1.87)	50.8 (2.00)	52.4 (2.06)
24	50.8 (2.00)	54 (2.13)	55.5 (2.19)

Dimensions				
Shell Size	A Thread Class 2A	ØB max.	L max.	Cable Entry
24	1 3/8 - 18 UNEF	40 (1.57)	65 (2.56)	14. 16. 18
28	1 5/8 - 18 UNEF	46 (1.81)	65 (2.56)	14. 16. 18
32	1 7/8 - 16 UN	53 (2.09)	70 (2.76)	18. 19. 20
40	1 5/16 - 16 UN	64 (2.52)	75 (2.95)	20. 23. 34

Material / Finish Option								
Shell Size	Cable Entry	F6	G3	MT	M	G2	Z1	AB
		Aluminum	Aluminum	Aluminum	Aluminum	Aluminum	Stainless Steel	Marine Bronze
		Black Electrostatic Paint	Cadmium Olive Drab	Nickel-PTFE	Electroless Nickel	Anodize Hardcoat	Passivate	Unplated
24	14	921-133-24F6	921-133-24G3	921-133-24MT	921-133-24M	921-133-24G2	921-133-24Z1	921-133-24AB
	16	921-134-24F6	921-134-24G3	921-134-24MT	921-134-24M	921-134-24G2	921-134-24Z1	921-134-24AB
	18	921-135-24F6	921-135-24G3	921-135-24MT	921-135-24M	921-135-24G2	921-135-24Z1	921-135-24AB
28	14	921-133-28F6	921-133-28G3	921-133-28MT	921-133-28M	921-133-28G2	921-133-28Z1	921-133-28AB
	16	921-134-28F6	921-134-28G3	921-134-28MT	921-134-28M	921-134-28G2	921-134-28Z1	921-134-28AB
	18	921-135-28F6	921-135-28G3	921-135-28MT	921-135-28M	921-135-28G2	921-135-28Z1	921-135-28AB
32	18	921-135-32F6	921-135-32G3	921-135-32MT	921-135-32M	921-135-32G2	921-135-32Z1	921-135-32AB
	19	921-136-32F6	921-136-32G3	921-136-32MT	921-136-32M	921-136-32G2	921-136-32Z1	921-136-32AB
	20	921-137-32F6	921-137-32G3	921-137-32MT	921-137-32M	921-137-32G2	921-137-32Z1	921-137-32AB
40	20	921-137-40F6	921-137-40G3	921-137-40MT	921-137-40M	921-137-40G2	921-137-40Z1	921-137-40AB
	23	921-138-40F6	921-138-40G3	921-138-40MT	921-138-40M	921-138-40G2	921-138-40Z1	921-138-40AB
	24	921-139-40F6	921-139-40G3	921-139-40MT	921-139-40M	921-139-40G2	921-139-40Z1	921-139-40AB

A