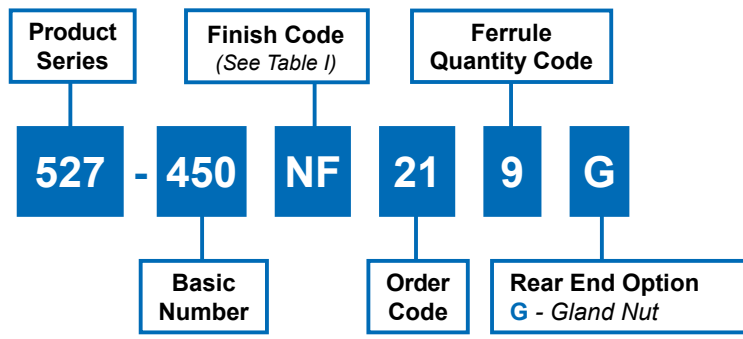


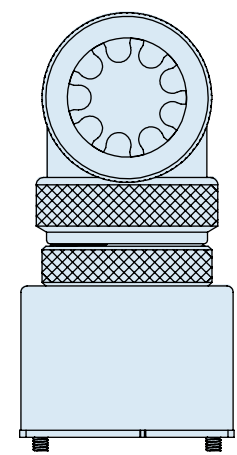
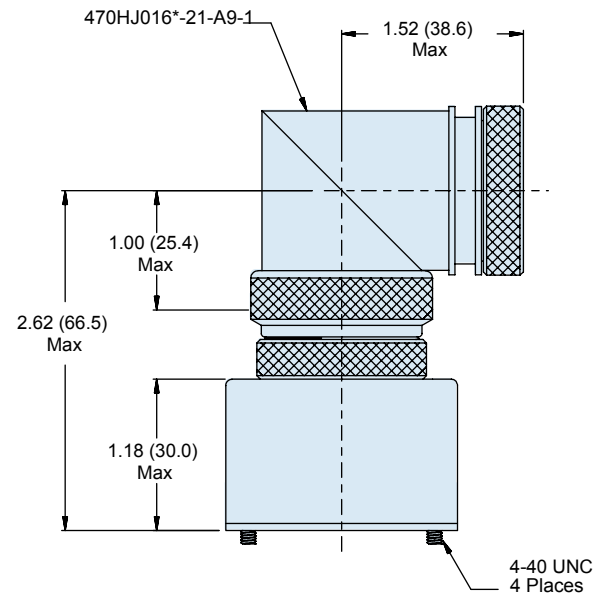
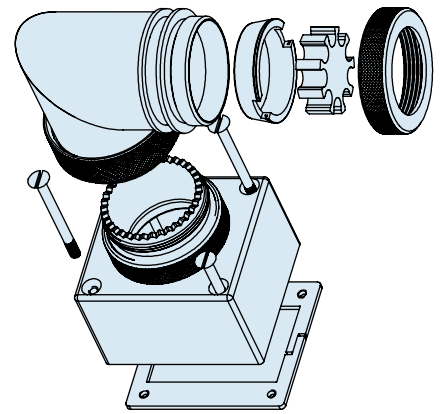
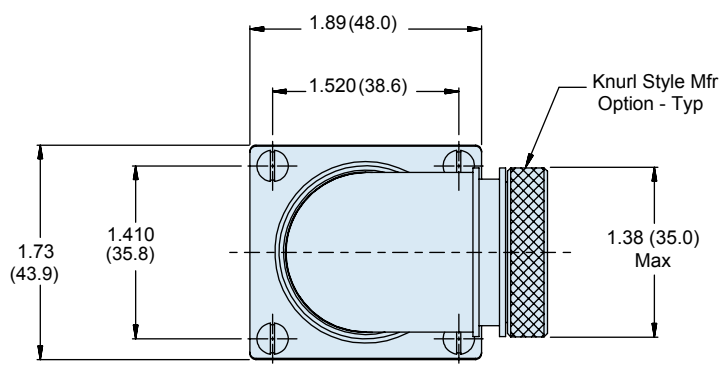
527-450
StarShield™ EMI/RFI Shield Termination
Backshell Assembly
For Collins SGA3 Connector



StarShield™ shield termination backshell with banding porch



B



Dimensions in inches (millimeters) and are subject to change without notice.

527-450
**StarShield™ EMI/RFI Shield Termination
 Backshell Assembly**
 For Collins SGA3 Connector



Table II: Material and Finish Options	
Code	Material; Finish Description
M	Aluminum; electroless nickel
MT	Aluminum; nickel - PTFE
NF	Aluminum; CAD/O. D. over electroless nickel
ZN	Aluminum; zinc nickel/O. D. over electroless nickel
ZR	Aluminum; zinc nickel/black over electroless nickel (RoHS)
Z1	Stainless steel; passivate
ZM	Stainless steel; electroless nickel

Material/Finish	
Backshell, adapter, elbow, nut, coupling & gland nut, compression ring, clips, star	Al alloy/see Table I
Hardware	CRES/passivate

1. Assembly identified with manufacturer's name and P/N, space permitting.
2. For effective grounding, connector with conductive finish should be used.
3. Glenair 600 series backshell assembly tools are recommended for assembly and installation.
4. Ferrule kit sold separately.
 - 687-764 ferrule and HST device kit
 - 687-809 ferrule and sealing device kit
 - 687-748 solder ferrule
 - 687-841-01 HST flex device

Dimensions in inches (millimeters) and are subject to change without notice.